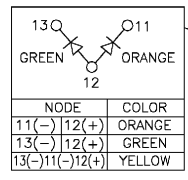
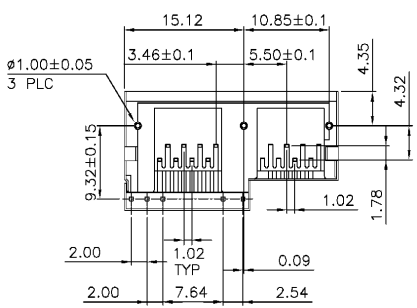
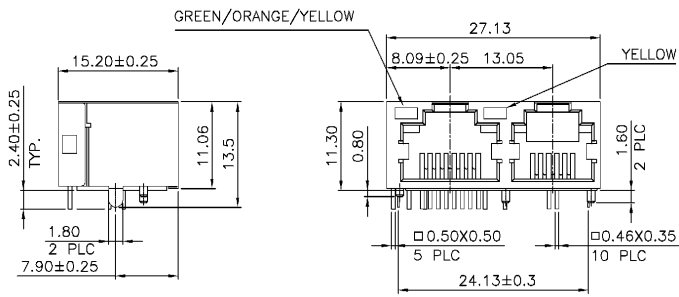
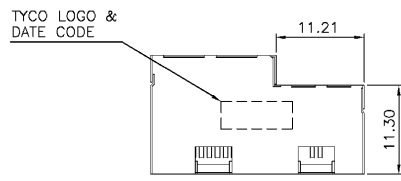
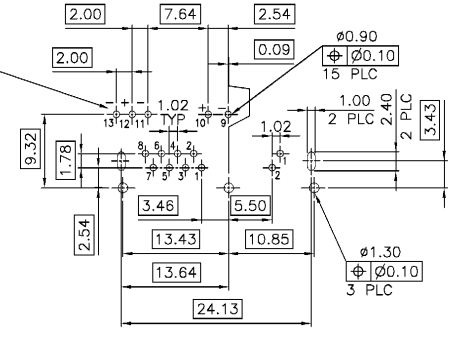


NUMBER C-1734063
METRIC
3RD ANGLE PROJECTION

PRINT DIST
DW
DIMENSIONS IN MILLIMETERS. DO NOT SCALE PRINT.



ELECTRICAL CIRCUIT



RECOMMENDED PCB LAYOUT (THICKNESS: 1.6mm)
DIMENSION TOLERANCE: 1 PLC: ±0.1 2PLC: ±0.05

- NOTE:
- MATERIAL:
HOUSING: HIGH TEMP. THERMOPLASTIC, UL 94V-0, COLOR: BLACK.
CONTACT: PHOSPHOR BRONZE, THICKNESS: 0.35mm.
SHIELD: BRASS, THICKNESS: 0.20mm.
LED LIGHT: EPOXY RESIN, THICKNESS: 0.50X0.50mm.
 - FINISH:
CONTACT: GOLD PLATED (SEE TABLE) IN CONTACT AREA.
GOLD FLASH ON SOLDER TAILS, 50µ" MIN. NICKEL UNDER PLATED ALL OVER.
SHELL: 20µ" MIN. NICKEL PLATED.
LED FINISH: 65µ" MIN Ag PLATED.
85µ" MIN TIN PLATED.
 - NET WEIGHT: 5g.
 - LED LIGHT MUST BE REFLOW COMPATIBLE TO FOLLOWING TEMPERATURE PROFILE (FOR 1 CYCLE): ABOVE 160°C FOR 210 SECONDS, PEAKING AT 230°C FOR 10 SECONDS.
- ⚠️ OBSOLETE PARTS: OBSOLETE CIS STREAMLINING PER D.RENAUD/D.SINISI

TAPE & REEL	50µ"	3-1734063-4
	30µ"	3-1734063-3
TRAY	15µ"	3-1734063-2
	6µ"	3-1734063-1
	50µ"	1734063-4
	30µ"	1734063-3
	15µ"	1734063-2
	6µ"	1734063-1

TOLERANCES UNLESS OTHERWISE SPECIFIED:	DWN	O. HU	TE Connectivity	
0 PLC ±0.50	13-AUG-2004	S. HOU	NAME MODULAR JACK, COMBO, RJ45/RJ11, DIP TYPE.	
1 PLC ±0.30	CHK	13-AUG-2004		
2 PLC ±0.20	APVD	T. KE	LOC SIZE DRAWING NO SCALE A ₃ C-1734063	
3 PLC ±0.10	PRODUCT SPEC	13-AUG-2004		
ANGLES ±	SEE NOTE	108-57138	REV A2	
	FINISH	501-57338		
	SEE NOTE	WEIGHT	SHEET 1 OF 4	

A2	REVISED PER ECO-11-005140	HMR	05APR
LTR	REVISION RECORD	DWN	11
		CHK	DATE

CUSTOMER DRAWING

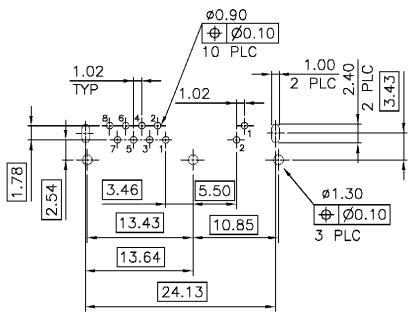
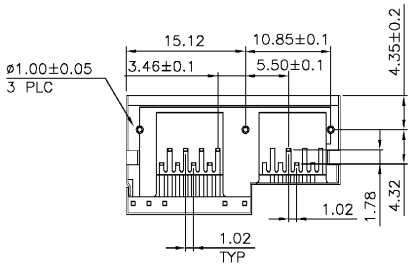
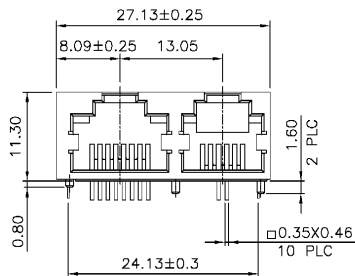
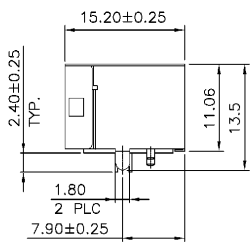
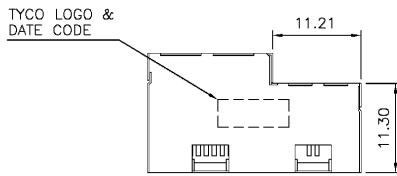
NUMBER C-1734063



METRIC

PRINT DW DIMENSIONS IN MILLIMETERS. DO NOT SCALE PRINT.

PRINT DIST DW



RECOMMENDED PCB LAYOUT (THICKNESS: 1.6mm)
DIMENSION TOLERANCE: 1 PLC: ±0.1 2PLC: ±0.05

- NOTE:
- MATERIAL:
HOUSING: HIGH TEMP. THERMOPLASTIC, UL 94V-0, COLOR: BLACK.
CONTACT: PHOSPHOR BRONZE, THICKNESS: 0.35mm.
SHIELD: BRASS, THICKNESS: 0.20mm.
 - FINISH:
CONTACT: GOLD PLATED (SEE TABLE) IN CONTACT AREA,
GOLD FLASH ON SOLDER TAILS, 50u" MIN. NICKEL
UNDER PLATED ALL OVER.
SHELL: 20u" MIN. NICKEL PLATED.
 - NET WEIGHT: 5g.

⚠ OBSOLETE PARTS: OBSOLETE CIS STREAMLINING PER D.RENAUD/D.SINISI

⚠ OBSOLETE	TAPE & REEL	50μ"	2-1734063-4
		30μ"	2-1734063-3
		15μ"	2-1734063-2
⚠ OBSOLETE	TRAY	50μ"	1-1734063-4
		30μ"	1-1734063-3
		15μ"	1-1734063-2
	PACKAGE	MIN. GOLD THICKNESS	PART NUMBER

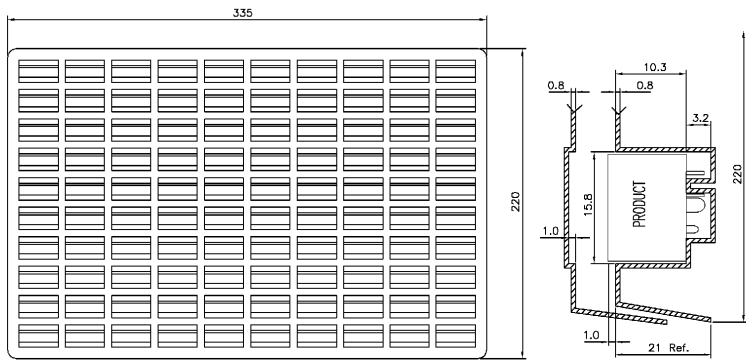
"WITH OUT LED"

TOLERANCES UNLESS OTHERWISE SPECIFIED:	DWN	O. HU	TE Connectivity	
0 PLC ±0.50	CHK	S. HOU	NAME	
1 PLC ±0.30		13-AUG-2004	MODULAR JACK, COMBO, RJ45/RJ11, DIP TYPE.	
2 PLC ±0.20	APVD	T. KE	DRAWING NO	
3 PLC ±0.10	PRODUCT SPEC	13-AUG-2004	C-1734063	
ANGLES ±	108-57138		SCALE	SHEET
MATERIAL	SEE SHEET 1.	QUALIFICATION TEST REPORT	LOC DW	REV
FINISH	SEE SHEET 1.	501-57338	A ₃	A2
		WEIGHT	SCALE	2 OF 4

LTR	REVISION RECORD	ECN	DWN/CHK	DATE

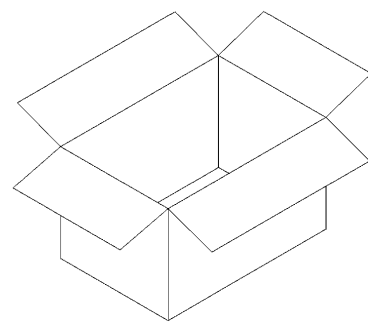
8 7 6 5 4 3 2 1 CUSTOMER DRAWING

NUMBER C-1734063
METRIC
3RD ANGLE PROJECTION

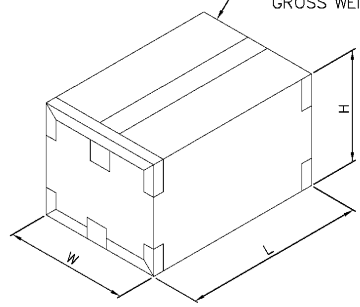


NOTE: 1. MATERIAL: PET T: 0.8mm.

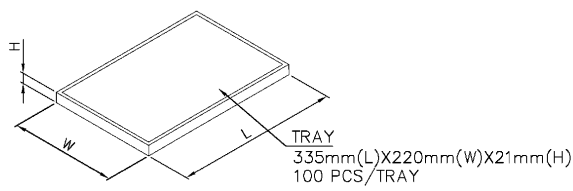
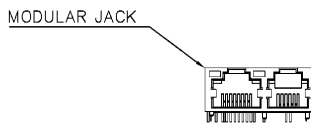
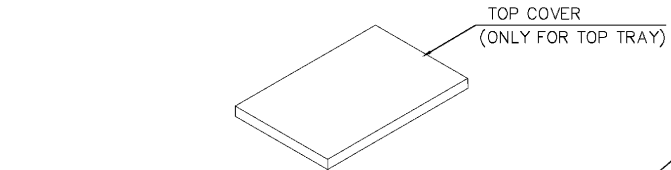
⚠ OBSOLETE PARTS: OBSOLETE CIS STREAMLINING PER D.RENAUD/D.SINISI



CARTON
345mm(L)X235mm(W)X195mm(H)
11 TRAY/CARTON
TOTAL: 1100 PCS
GROSS WEIGHT: 7Kg



OBSOLETE	1-1734063-4
	1-1734063-3
	1-1734063-2
OBSOLETE	1-1734063-1
	1734063-4
	1734063-3
	1734063-2
	1734063-1
PART NUMBER	

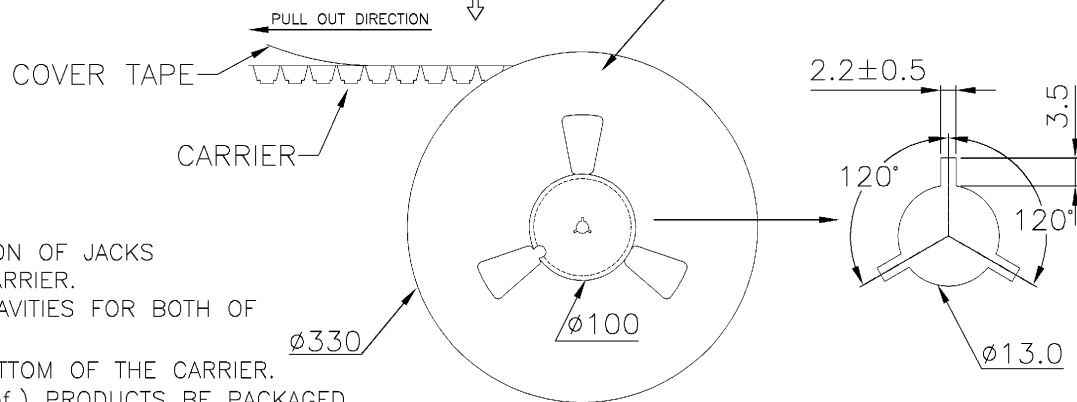
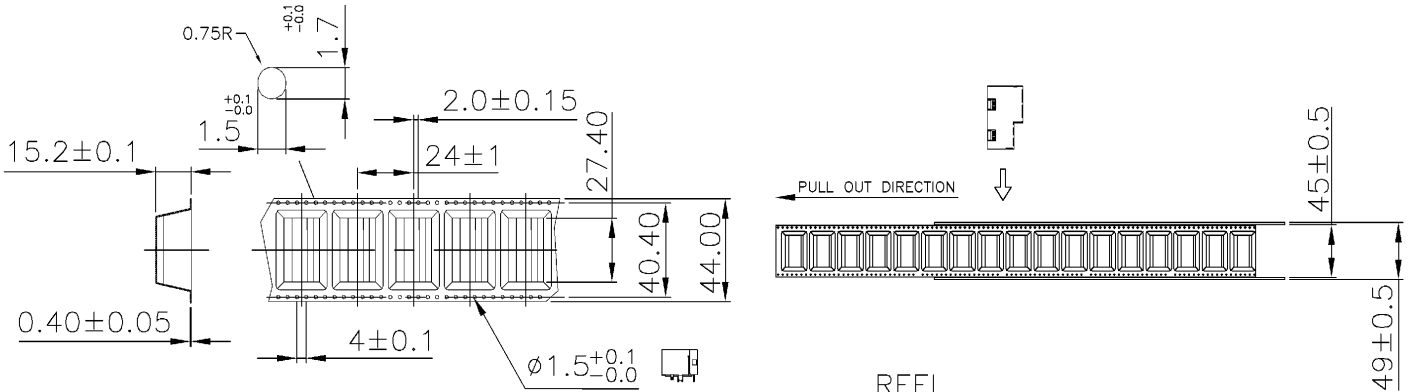


TOLERANCES UNLESS OTHERWISE SPECIFIED: 0 PLC ± 1 PLC ± 2 PLC ± 3 PLC ± ANGLES ±	DWN O. HU 13-AUG-2004	TE Connectivity	
MATERIAL SEE SHEET 1.	CHK S. HOU 13-AUG-2004	NAME MODULAR JACK, COMBO, RJ45/RJ11, DIP TYPE.	
FINISH SEE SHEET 1.	APVD T. KE 13-AUG-2004	LOC DW SCALE	SIZE A3 DRAWING NO C-1734063 SHEET 3 OF 4
		REV A2	

SEE SHEET 1.	ECN	DWN	CHK	DATE
LTR	REVISION RECORD			

PRINT DW
DIMENSIONS IN MILLIMETERS. DO NOT SCALE PRINT.

8 | 7 | 6 | 5 | 4 | 3 | 2 | 1
CUSTOMER DRAWING



- NOTES:
- A. THE DIRECTION OF JACKS PUT INTO CARRIER.
 - B. 10 EMPTY CAVITIES FOR BOTH OF TOP AND BOTTOM OF THE CARRIER.
 - C. 180 PCS (Ref.) PRODUCTS BE PACKAGED ONE REEL.
 - D. CARTON SIZE: 345(L)X 345(W)X 315(H)
8 REELS/CARTON
TOTAL: 1440 PCS
- 1 OBSOLETE PARTS: OBSOLETE CIS STREAMLINING PER D.RENAUD/D.SINISI

3-1734063-4
3-1734063-3
3-1734063-2
3-1734063-1
2-1734063-4
2-1734063-3
2-1734063-2
2-1734063-1
OBsolete
PART NUMBER

TOLERANCES UNLESS OTHERWISE SPECIFIED: 0 PLC ± 1 PLC ± 2 PLC ± 3 PLC ± ANGLES ±	DWN 13-AUG-2004	O. HU 13-AUG-2004	TE Connectivity NAME MODULAR JACK, COMBO, RJ45/RJ11, DIP TYPE.
MATERIAL SEE SHEET 1.	CHK	S. HOU 13-AUG-2004	
FINISH SEE SHEET 1.	APVD	T. KE 13-AUG-2004	LOC DW A3 SCALE -- DRAWING NO C-1734063 REV A2
LTR	REVISION RECORD	ECN	DATE -- SHEET 4 OF 4

SEE SHEET 1.				
LTR	REVISION RECORD	ECN	DWN/CHK	DATE

CUSTOMER DRAWING

PRINT DIST
DW

DIMENSIONS IN MILLIMETERS. DO NOT SCALE PRINT.

8 | 7 | 6 | 5 | 4 | 3 | 2 | 1