

4

3

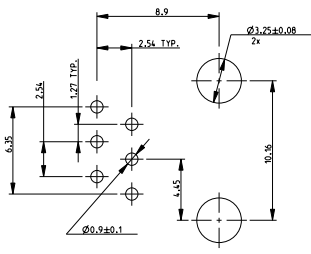
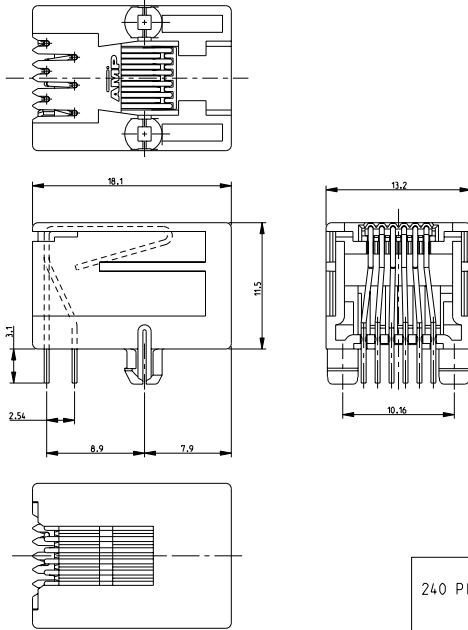
2

1

THIS DRAWING IS UNPUBLISHED. RELEASED FOR PUBLICATION 2000
 ALL RIGHTS RESERVED. COPYRIGHT 2000

- 1 SEE SHEET 2 FOR MODULAR JACK 6 POS./6 CONTACTS
- 2 FOR APPLICATION INFORMATION SEE SPEC. 114-19019.
- 3 TOLERANCES UNLESS OTHERWISE SPECIFIED: ± 0.15mm.
- 4 DURABILITY IS 200 CYCLES MAX ACCORDING TO TEST REPORT 502-19007 THIS WILL TAKE PRECEDENCE OVER THE PRODUCT SPECIFICATION.

REV	DATE	BY	CHKD	DESCRIPTION
C	29-09-09	PS	PCW	ECR-09-021454
C1	28APR11	RK	HMR	TE LOGO UPDATE
C2	26AUG11	PS	RRP	DURABILITY CYCLE UPDATED AFTER TESTING
-	-	-	-	-



240 PIECES IN A TRAY	6 POS./6 CONTACTS.	IN CONTACT AREA: 0.15 µm MIN. SEL. GOLD OVER 1.2 µm MIN. NICKEL.	HOUSING COLOR BLACK PBT. UL 94 V-0	1-1705950-1
TAPE MOUNTED 800 PCS/REEL		SOLDER TINES: 2.5 µm MIN. TIN OVER 1.2 µm MIN. NICKEL.	CONTACT INSERT: PBT.UL 94 V-0	1705950-1
PACKAGING	REMARKS	FINISH	MATERIAL	P/N
THIS DRAWING IS A CONTROLLED DOCUMENT.		DRN: J.V.D.HELJEN	TE Connectivity	
DIMENSIONS: mm		CHK: W.WILLEMS	MODULAR JACK, SIDE ENTRY, 6/6 FOR PRINTED CIRCUIT BOARD	
TOLERANCES UNLESS OTHERWISE SPECIFIED:		APP: J.BROCKSTEEG	SIZE: A2	
0 PLC	±	PRODUCT SPEC	CAGE CODE: -	
1 PLC	±0.1	108-19064	DRAWING NO: -	
2 PLC	±0.05	APPLICATION SPEC	RESTRICTED TO: -	
3 PLC	±0.001	114-19019	SCALE: 4:1	
4 PLC	±0.0001	WEIGHT: -	SHEET 1 of 2	
ANGLES	R	CUSTOMER DRAWING	REV: 2	

1471-9 (3/11)

4

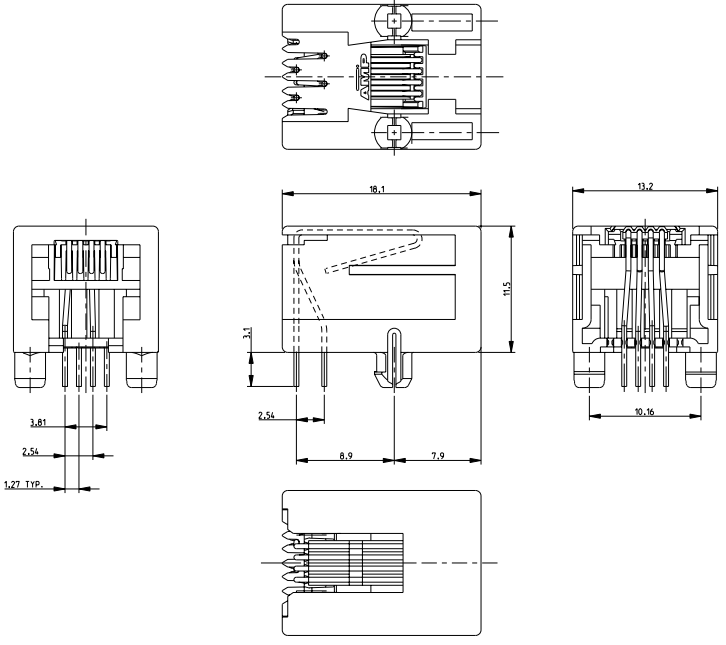
3

2

1

THIS DRAWING IS UNPUBLISHED. RELEASED FOR PUBLICATION 2000. ALL RIGHTS RESERVED. COPYRIGHT 2000

REVISONS		DATE	BY	APPROV
P	LYA	DESCRIPTION		
-	-	SEE SHEET 1	-	-



- 1 SEE SHEET 1 FOR MODULAR JACK 6 POS./6 CONTACTS.
- 2 FOR APPLICATION INFORMATION SEE SPEC. 114-19019.
- 3 TOLERANCES UNLESS OTHERWISE SPECIFIED: ±0.15.
- △ OBSOLETE
- 5. DURABILITY IS 200 CYCLES MAX ACCORDING TO TEST REPORT 502-19807 THIS WILL TAKE PRECEDENCE OVER THE PRODUCT SPECIFICATION.

TAPE MOUNTED 800 PCS/REEL	6POS/ 4 CONTACTS	IN CONTACT AREA: 0.15 μm MIN. SEL. GOLD OVER 1.2 μm MIN. NICKEL SOLDER TINES: 2.5 μm MIN. TIN OVER 1.2 μm MIN. NICKEL	HOUSING COLOR YELLOW: PBT, UL 94 V-0 CONTACT INSERT: PBT, UL 94 V-0 CONTACTS: Ph-BRONZE	1-1705950-3
240 PIECES IN A TRAY			HOUSING COLOR BLACK: PBT, UL 94 V-0 CONTACT INSERT: PBT, UL 94 V-0 CONTACTS: Ph-BRONZE	1-1705950-2
TAPE MOUNTED 800 PCS/REEL			HOUSING COLOR GREY: PBT, UL 94 V-0 CONTACT INSERT: PBT, UL 94 V-0 CONTACTS: Ph-BRONZE	1705950-2
TAPE MOUNTED 800 PCS/REEL			HOUSING COLOR GREEN: PBT, UL 94 V-0 CONTACT INSERT: PBT, UL 94 V-0 CONTACTS: Ph-BRONZE	1705950-5
TAPE MOUNTED 800 PCS/REEL			HOUSING COLOR GREEN: PBT, UL 94 V-0 CONTACT INSERT: PBT, UL 94 V-0 CONTACTS: Ph-BRONZE	1705950-4
PACKAGING	REMARKS	FINISH	MATERIAL	P/N

PRINTED CIRCUIT BOARD LAYOUT (6 POS./4 CONTACT)

(VIEW SHOWN IS CIRCUIT (NONCOMPONENT) SIDE OF BOARD) PRINTED CIRCUIT BOARD THICKNESS: 1.6 mm NOMINAL. TOLERANCES UNLESS OTHERWISE SPECIFIED: ± 0.05.

THIS DRAWING IS A CONTROLLED DOCUMENT. DWG: J.V.D. HEIJDEN 14FEB05
CHK: E.W. WILLEMS 14FEB05
APP: J. BROCKSTEEG 14FEB05
NAME: 108-19064
PRODUCT SPEC: 114-19019
APPLICATION SPEC: 114-19019

TE TE Connectivity
MODULAR JACK, SIDE ENTRY, 6/6 FOR PRINTED CIRCUIT BOARD

MATERIAL: - FINISH: - WEIGHT: - CUSTOMER DRAWING

SIZE: A2 CASE CODE: - DRAWING NO: - RESTRICTED TO: -
SCALE: 4:1 SHEET 2 OF 2 REV: 2