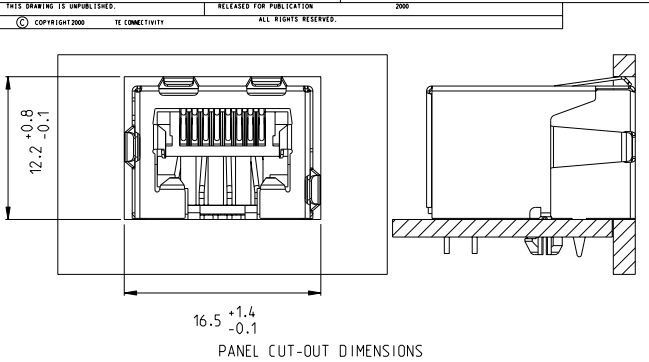


4

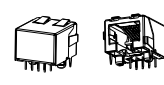
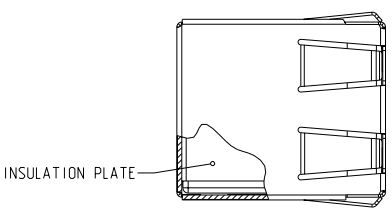
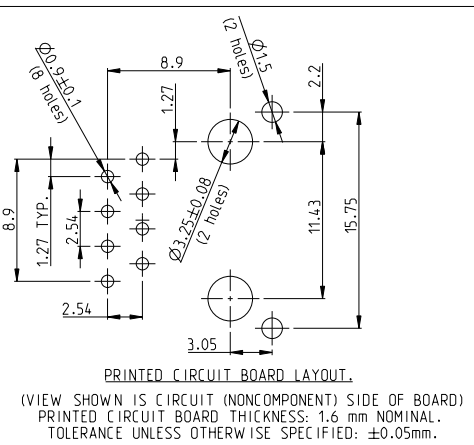
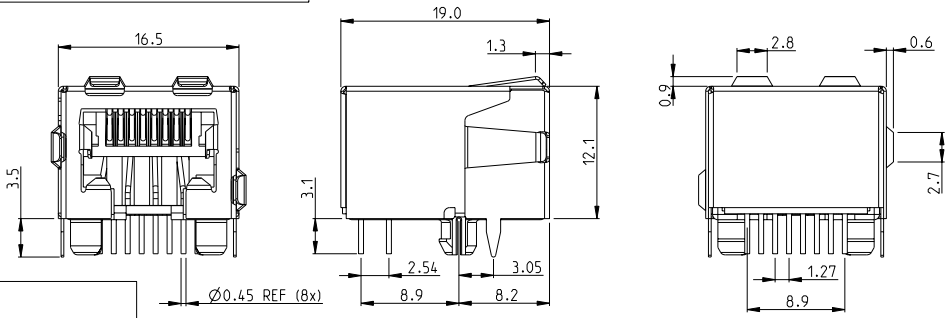
3

2

1



REV	DATE	BY	APP'D	DESCRIPTION
B	21JAN2011	PS	RRP	ECR-10-020218



SCALE: 1:1

PACKAGED 190 PIECES IN A TRAY	8 POS. 8 CONT.	OVERALL: Ni 1.27 µm MIN. ALL OVER THE CONTACTS	HOUSING: PBT UL 94 V-0 BLACK	CONTACTS: PHOSPHOR BRONZE	2-5338556-1
MATING ZONE: PLATING CONFIRMS TO PRODUCT REQUIREMENTS AS PER SPECIFICATION 108-19064		SHIELD: PHOSPHOR BRONZE PRE-PLATED (BRIGHT TIN)			
PACKAGING	REMARKS	PLATING	MATERIAL	P/N	
THIS DRAWING IS A CONTROLLED DOCUMENT. DW: P.Williams, 25-Feb-05. CD: B.Grabels, 25-Feb-05. OPERATIVE SPEC: J.Boeksteun, 25-Feb-05.		TE Connectivity		8 pos. Modular Jack Side Entry fully shielded with insulation plate	
DIMENSIONS: mm	APPROXIMATE WEIGHT	PRODUCT SPEC	APPLICATION SPEC	SIZE	CAGE CODE
		108-19064	114-19019	A2	00779
MATERIAL	FINISH	WEIGHT	CUSTOMER DRAWING	SCALE	SHEET
				4:1	1 of 2
					REV B

4

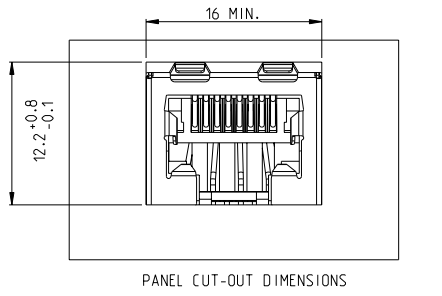
3

2

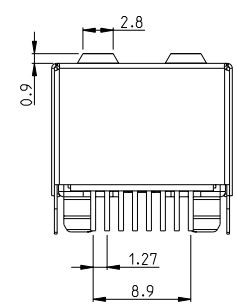
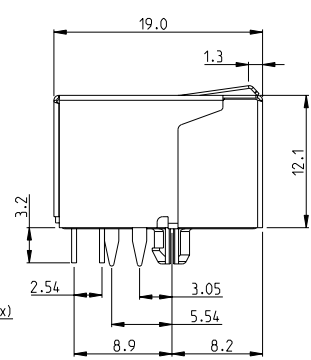
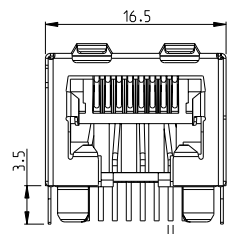
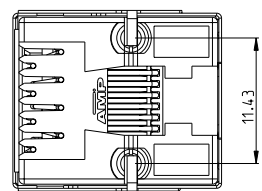
1

THIS DRAWING IS UNPUBLISHED. RELEASED FOR PUBLICATION 2000
TE CONNECTIVITY ALL RIGHTS RESERVED.

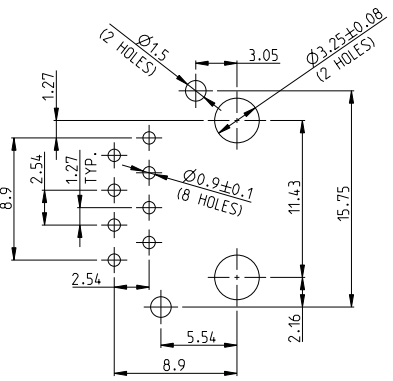
REV. NO.	DATE	BY	APPV	DESCRIPTION
-	-	-	-	SEE SHEET 1



PANEL CUT-OUT DIMENSIONS

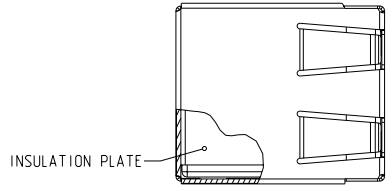


Ø0.45 REF (8x)



PRINTED CIRCUIT BOARD LAYOUT.

(VIEW SHOWN IS CIRCUIT (NONCOMPONENT) SIDE OF BOARD.)
PRINTED CIRCUIT BOARD THICKNESS: 1.6 mm NOMINAL.
TOLERANCE UNLESS OTHERWISE SPECIFIED: ± 0.15 mm.



PACKAGING	REMARKS	DESCRIPTION	MATERIAL	P/N
PACKAGED 190 PIECES IN A TRAY	8 POS. 8 CONT.	OVERALL: Ni 1.27 µm MIN. ALL OVER THE CONTACTS SOLDER ZONE: Sn 2.5 µm MIN. ON THE SOLDER ZONE OF THE CONTACT MATING ZONE: PLATING CONFIRMS TO PRODUCT REQUIREMENTS AS PER SPECIFICATION 108-19064	HOUSING: PBT UL 94V-0 BLACK CONTACTS: PHOSPHOR BRONZE SHIELD: PHOSPHOR BRONZE PRE-PLATED BRIGHT TIN	3-5338556-1
THIS DRAWING IS A CONTROLLED DOCUMENT.		TE Connectivity		
OPERATOR: J. Willems		DATE: 25-FEB-05		
DRAWN: J. Broeksteeg		DATE: 25-FEB-05		
CHECKED: J. Broeksteeg		DATE: 25-FEB-05		
APPROVED: J. Broeksteeg		DATE: 25-FEB-05		
PRODUCT SPEC: 108-19064		NAME: 8 pos. Modular Jack Side Entry fully shielded with insulation plate		
APPLICATION SPEC: 114-19019		SIZE: A2		
WEIGHT: -		CASE CODE: 5338556		
MATERIAL: -		DRAWING NO: 5338556		
CUSTOMER DRAWING		RESTRICTED TO: -		
		SCALE: 4:1		
		SHEET: 2 of 2		
		REV: B		

1471-9 (3/2000)