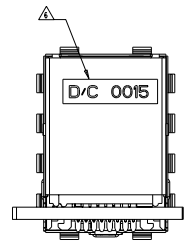
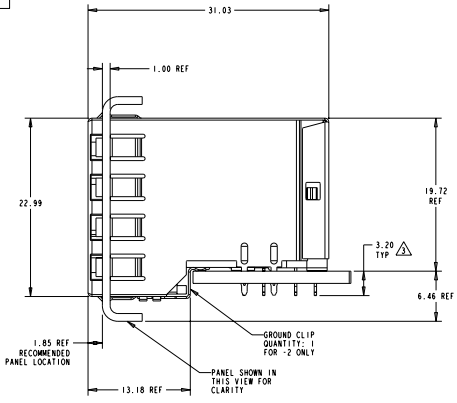
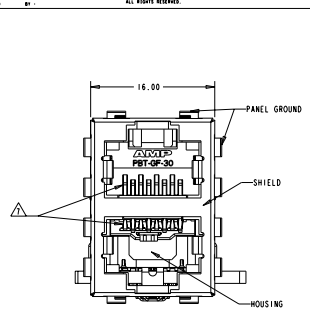
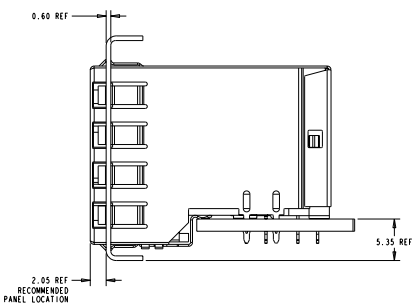


REV	DATE	DESCRIPTION	BY	CHK	APP
00					
01		REVISED PER ECO-11-005027			



1. MATERIAL:
 HOUSING:
 PBT POLYESTER, BLACK, UL 94V-0
 TERMINALS:
 0.33 THICK PHOSPHOR BRONZE PLATED WITH 1.27µm MINIMUM THICK HARD GOLD IN LOCALIZED AREA AND 3.81µm MINIMUM THICK TIN IN ACTION PIN COMPLIANT PIN TERMINAL AREA OVER 1.27µm MINIMUM THICK NICKEL UNDERPLATE
 SHIELD:
 0.25 THICK COPPER ALLOY PLATED WITH 2.03µm MINIMUM TIN OVER 1.27µm MINIMUM NICKEL
 GROUND CLIP: 0.25 THICK COPPER ALLOY PRE-PLATED WITH 2.03µm MINIMUM WHITE TIN OVER 1.27µm MINIMUM NICKEL
2. JACK CAVITY CONFORMS TO FCC RULES AND REGULATIONS, PART 68 SUBPART F.
- ⚠ MAXIMUM PIN LENGTH 3.40 FROM TOP SURFACE OF PC BOARD
 - ⚠ FINISH PLATED THRU HOLE DIAMETER ANNUAL RING DIAMETER 1.3 TO 1.5
 - ⚠ DATUMS AND BASIC DIMENSIONS ESTABLISHED BY CUSTOMER
 - ⚠ DATE CODE LOCATED ON REAR OF PART APPROXIMATELY AS SHOWN
 - ⚠ CONTACTS ARE NOT INTENDED TO BE ALIGNED WITH EACH OTHER

ATCA PANEL AND PRINTED CIRCUIT BOARD ASSEMBLY LAYOUT



AMC PANEL AND PRINTED CIRCUIT BOARD ASSEMBLY LAYOUT

M DIM	DESCRIPTION	PART NUMBER
15.88	WITH GROUND CLIP	1888652-2 (SHOWN)
16.13	WITHOUT GROUND CLIP	1888652-1

THIS DRAWING IS A CONTROLLED DOCUMENT. DATE: 08/20/2018 BY: [REDACTED] CHECKED: [REDACTED] APPROVED: [REDACTED]

TE Connectivity
TE
 STACKED MOD JACK ASSEMBLY, 2 X 1, 2 POS, RJ45, SHIELDED, PANEL GROUND, OFFSET, CAT 5

DATE CODE (PARTIAL) 00779 ©-1888652

CUSTOMER DRAWING

