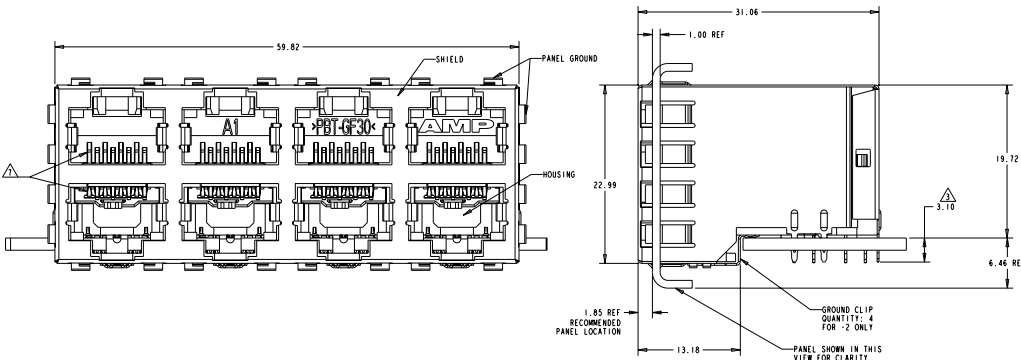
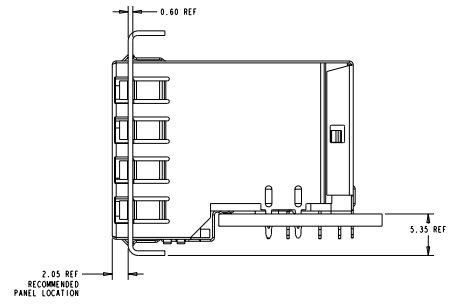
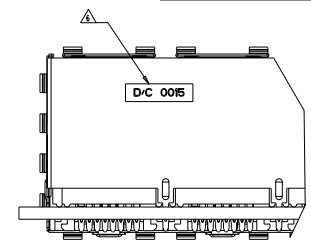


REV	DATE	REVISIONS	BY	CHK	APP
AA	00				
A		RELEASED	ZHONGHAI	LAN	JW
B		ECO-07-001858	ZHONGHAI	LAN	JW
C		ECO-07-000800	ZHONGHAI	LAN	JW
D		ECR-08-019486	ZHONGHAI	LAN	JW



**ATCA PANEL AND PRINTED CIRCUIT BOARD ASSEMBLY LAYOUT**



**AMC PANEL AND PRINTED CIRCUIT BOARD ASSEMBLY LAYOUT**

- MATERIAL:**  
 HOUSING: PET POLYESTER, BLACK, UL 94V-0  
 TERMINALS: 0.33 THICK PHOSPHOR BRONZE PLATED WITH 1.27µm MINIMUM THICK HARD GOLD IN LOCALIZED AREA AND 2.0µm MINIMUM THICK MATTE TIN IN COMPLIANT PIN TERMINAL AREA OVER 1.27µm MINIMUM THICK NICKEL UNDERPLATE  
 SHIELD: 0.25 THICK COPPER ALLOY PLATED WITH 2.03µm MINIMUM TIN OVER 2.27µm MINIMUM NICKEL  
 GROUND CLIP: 0.25 THICK COPPER ALLOY PRE-PLATED WITH 2.03µm MINIMUM MATTE TIN OVER 1.27µm MINIMUM NICKEL
  - JACK CAVITY CONFORMS TO FCC RULES AND REGULATIONS, PART 68 SUBPART F.
- ⚠ MAXIMUM PIN LENGTH 3.40 FROM TOP SURFACE OF PC BOARD
  - ⚠ FINISHED PLATED THROUGH HOLE DIAMETER - ANNULAR RING DIAMETER 1.3 TO 1.5
  - ⚠ DATUMS AND BASIC DIMENSIONS ESTABLISHED BY CUSTOMER
  - ⚠ DATE CODE LOCATED ON REAR OF PART APPROXIMATELY AS SHOWN
  - ⚠ CONTACTS ARE NOT INTENDED TO BE ALIGNED WITH EACH OTHER

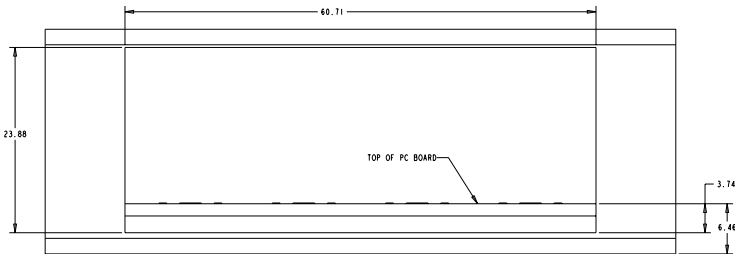
15.88	WITH GROUND CLIP	1888506-2 (SHOWN)
16.13	WITHOUT GROUND CLIP	1888506-1

M DIM	DESCRIPTION	PART NUMBER
15.88	STACKED MOD JACK ASSEMBLY, 2 X 4, 8 POSN, RJ45, SHIELDED, PANEL GROUND, OFFSET, CAT 5	188-1854
16.13	STACKED MOD JACK ASSEMBLY, 2 X 4, 8 POSN, RJ45, SHIELDED, PANEL GROUND, OFFSET, CAT 5	188-1854

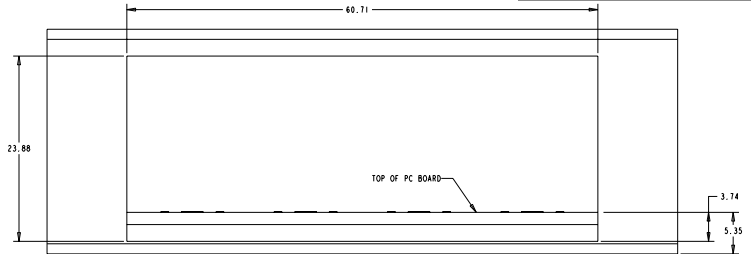
TSC ELECTRONICS CORPORATION  
 1000 W. MARKET STREET, SUITE 200  
 HARRISBURG, PA 17105-3600  
 TEL: 717-651-1000 FAX: 717-651-1001  
 WWW.TSC-ELECTRONICS.COM

DATE CODE (SEE DRAWING) A 00779 ©-1888506  
 CUSTOMER DRAWING

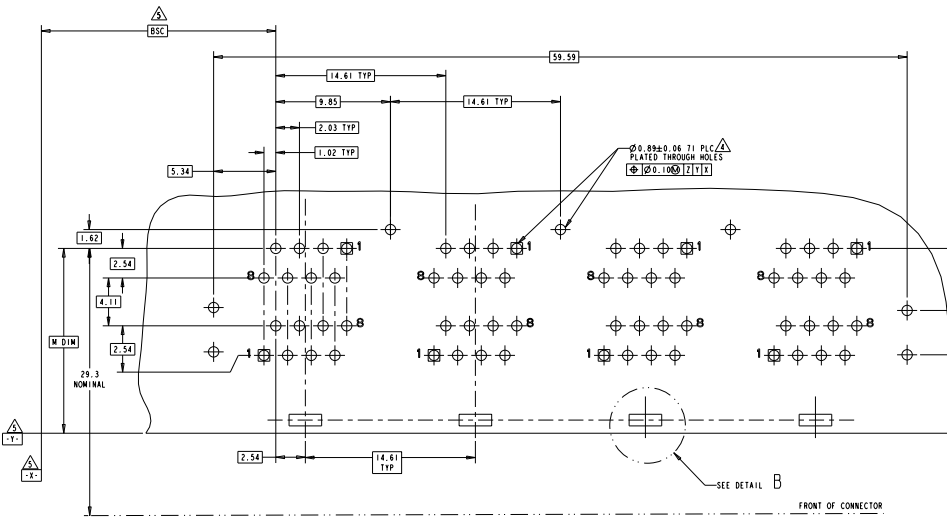
REV	DATE	DESCRIPTION	BY	CHK	APP
AA	00	SEE SHEET 1			



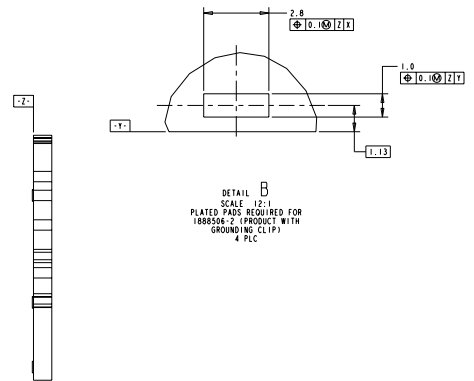
ATCA PANEL AND PRINTED CIRCUIT BOARD LAYOUT



AMC PANEL AND PRINTED CIRCUIT BOARD LAYOUT



PC BOARD LAYOUT (COMPONENT SIDE)



<p>DATE: 08/24/2018 BY: TECH ELECTRONICS CORPORATION. ALL RIGHTS RESERVED.</p>	<p>REV: AA 00</p>	<p>DATE: 08/24/2018 BY: TECH ELECTRONICS CORPORATION. ALL RIGHTS RESERVED.</p>	<p>DATE: 08/24/2018 BY: TECH ELECTRONICS CORPORATION. ALL RIGHTS RESERVED.</p>	<p>DATE: 08/24/2018 BY: TECH ELECTRONICS CORPORATION. ALL RIGHTS RESERVED.</p>	<p>DATE: 08/24/2018 BY: TECH ELECTRONICS CORPORATION. ALL RIGHTS RESERVED.</p>
<p>DATE: 08/24/2018 BY: TECH ELECTRONICS CORPORATION. ALL RIGHTS RESERVED.</p>	<p>DATE: 08/24/2018 BY: TECH ELECTRONICS CORPORATION. ALL RIGHTS RESERVED.</p>	<p>DATE: 08/24/2018 BY: TECH ELECTRONICS CORPORATION. ALL RIGHTS RESERVED.</p>	<p>DATE: 08/24/2018 BY: TECH ELECTRONICS CORPORATION. ALL RIGHTS RESERVED.</p>	<p>DATE: 08/24/2018 BY: TECH ELECTRONICS CORPORATION. ALL RIGHTS RESERVED.</p>	<p>DATE: 08/24/2018 BY: TECH ELECTRONICS CORPORATION. ALL RIGHTS RESERVED.</p>