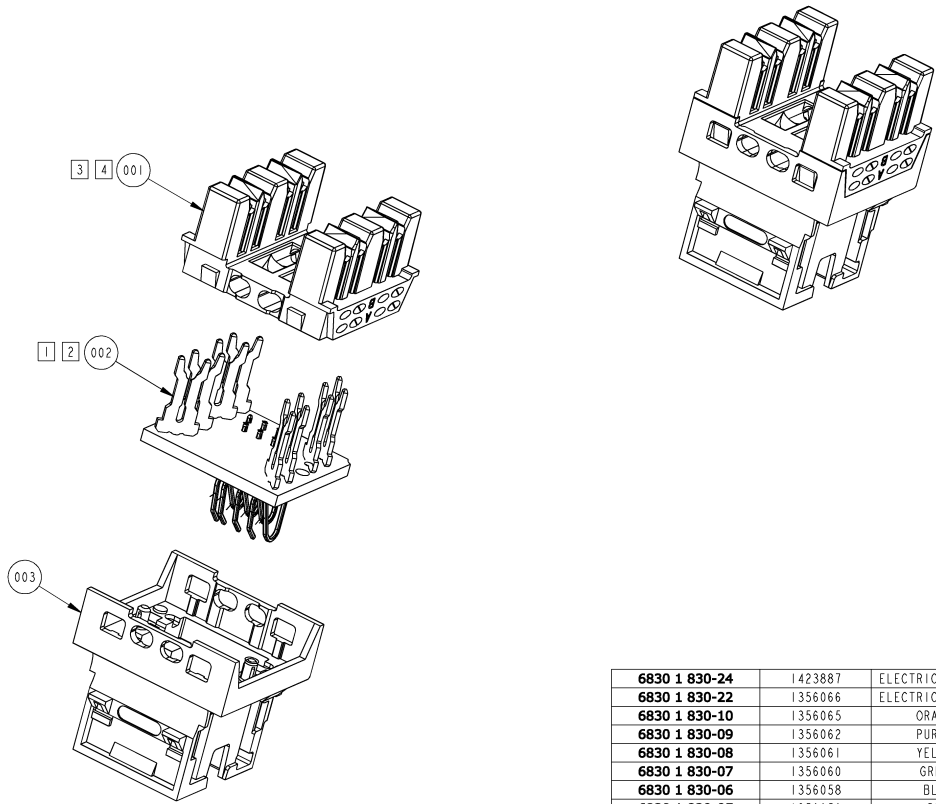


REV	MCO	DWN	DATE
B	20210634	RAR	12-FEB-07
C	20227811	LS	30-OCT-07

NOTES:

1. INSERT F/N 002 INTO F/N 003 (MAKE SURE THE CONTACT LEGS GO INTO THE CORRECT LOCATION FINS).
 2. THE F/N 002 SHOULD FIT OVER THE TWO LOCATION PEGS AND SIT FLAT IN THE F/N 003 (AS SHOWN).
 3. ASSEMBLE F/N 001 TO F/N 003 (MAKE SURE THE FOUR LATCHES CLICK INTO PLACE).
 4. LOOK INTO THE RJ45 OPENING & MAKE SURE THAT NONE OF THE CONTACTS ARE CROSSED OVER AND SITTING INCORRECTLY.
5. PRINT DATE CODE ON THE LEFT SIDE OF UNIT.
 6. PACKAGE FINAL ASSEMBLY INTO F/N 800.
 7. PART TO BE UL VERIFIED TO CATEGORY 6 SPECIFICATION TIA/EIA-568-B.2-1. PACKAGING LABEL TO CONTAIN APPROPRIATE MARK. REFERENCE EN-WI-006.
 8. PART TO PASS UL1863. PACKAGING LABEL TO CONTAIN APPROPRIATE MARK. REFERENCE EN-WI-006.



6830 1 830-24	1423887	ELECTRICAL BROWN	A
6830 1 830-22	1356066	ELECTRICAL IVORY	B
6830 1 830-10	1356065	ORANGE	B
6830 1 830-09	1356062	PURPLE	B
6830 1 830-08	1356061	YELLOW	B
6830 1 830-07	1356060	GREEN	B
6830 1 830-06	1356058	BLUE	B
6830 1 830-05	1356056	RED	B
6830 1 830-04	1356053	BLACK	B
6830 1 830-03	1356052	GRAY	B
6830 1 830-02	1356050	IVORY	B
6830 1 830-01	1356049	WHITE	B



INFORMATION ON THIS DOCUMENT IS PROPRIETARY TO ADC AND SHALL NOT BE USED, COPIED, REPRODUCED OR DISCLOSED IN WHOLE OR IN PART WITHOUT WRITTEN CONSENT OF ADC.		TITLE		KM8 JACK ASSEMBLY	
ALL DIMS AND TOLERANCES ARE INCHES UNLESS OTHERWISE SPECIFIED		XX=±N/A	XXX=±N/A	ANGULAR=±N/A	SIZE
DO NOT SCALE DRAWING		ENGR: LUIS SANCHEZ	DWN: FRIKA URIOSTEGUI	DRAWING NUMBER	1356047
				SHT. 1	OF 1

DIMENSIONS IN INCHES
THIRD ANGLE PROJECTION