

4

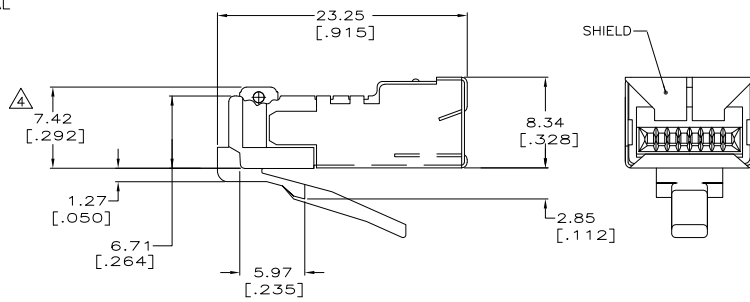
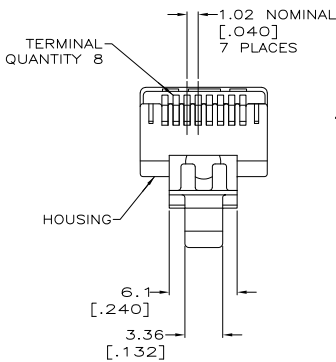
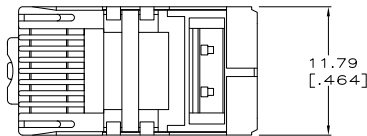
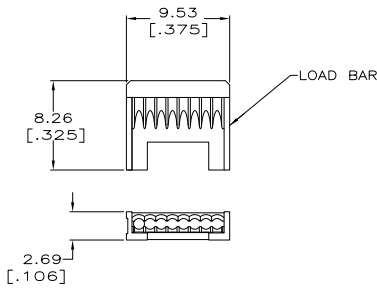
3

2

1

THIS DRAWING IS UNPUBLISHED. RELEASED FOR PUBLICATION. ALL RIGHTS RESERVED.

LOC	DIST	REVISIONS		
F	LNK	DESCRIPTION	DATE	BY
HM	00			
	E1	REVISED PER ECO-11-005033	21MAR11	RK HMR



- ⚠ DIMENSIONS ARE MAXIMUM UNLESS OTHERWISE SPECIFIED.
- ⚠ MATERIAL: HOUSING - 94V-0 RATED POLYCARBONATE, CLEAR TERMINAL - PHOSPHOR BRONZE, PLATED WITH 1.27µm [.000050] MINIMUM THICK GOLD IN LOCALIZED GOLD PLATE AREA, GOLD FLASH OVER THE REMAINDER, OVER 2.54µm [.000100] MINIMUM THICK NICKEL UNDERPLATE. SHIELD - COPPER ALLOY WITH 1.27µm [.000050] MINIMUM SEMI-BRIGHT(SATIN) NICKEL. LOAD BAR - PBT POLYESTER, BLACK.
- 3. PLUG WILL ACCEPT A 24 OR 26 AWG STRANDED CONDUCTOR, PROVIDED THE INSULATED CONDUCTOR DIAMETER IS 0.89[.035] TO 0.99[.039] WITH A SHIELDED, PLIABLE, LOOSE CABLE JACKET OF 4.83[.190] TO 5.21[.205] DIAMETER OR A SHIELDED, RIGID, HARD CABLE JACKET OF 4.83[.190] TO 5.08[.200] DIAMETER.

- ⚠ TERMINATED DIMENSION 6.15 [.242] MAXIMUM.
- ⚠ 500 ASSEMBLIES AND 500 LOAD BARS PER PACKAGE.
- ⚠ 100 ASSEMBLIES AND 100 LOAD BARS PER PACKAGE.
- ⚠ 25 ASSEMBLIES AND 25 LOAD BARS PER PACKAGE.
- ⚠ UL RECOGNIZED: FILE NUMBER E81956.

⚠	5-569552-4
⚠	5-569552-3
⚠	5-569552-2
⚠	PACKAGED PART NUMBER

THIS DRAWING IS A CONTROLLED DOCUMENT.

DRN	S. CARRETT	10-12-95
CHK	C. WHITT	10-31-95
APP	F. LAURER	11-7-95

TE Connectivity

DIMENSIONS: mm[INCHES]	TOLERANCES UNLESS OTHERWISE SPECIFIED:	SIZE	DATE CODE (DRAWING NO)	RESTRICTED TO
0 P.L.C. ± .005	1 P.L.C. ± .005	108-1163	A2 00779	569552
2 P.L.C. ± .005	3 P.L.C. ± .005	APPLICATION SPEC: 114-6053		
4 P.L.C. ± .005	ANGLES ± .005	WEIGHT -		
MATERIAL -	FINISH -	CUSTOMER DRAWING	SCALE 4:1	SHEET 1 of 1 REV E1