

DRAWING MADE IN THIRD ANGLE PROJECTION

3

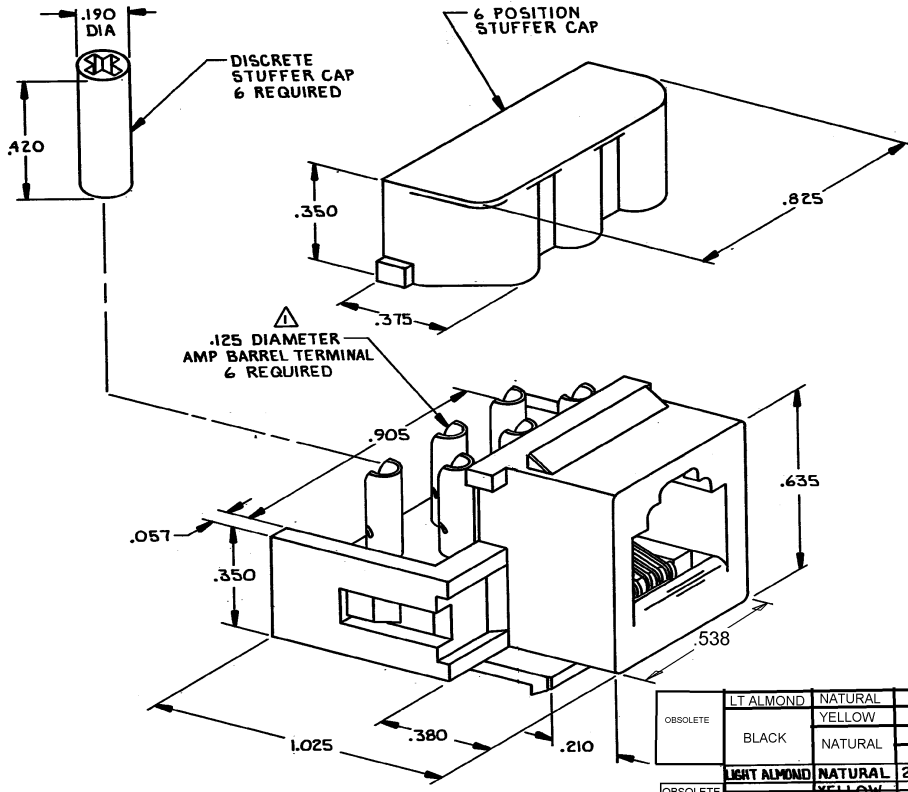
2

1

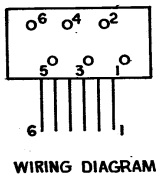
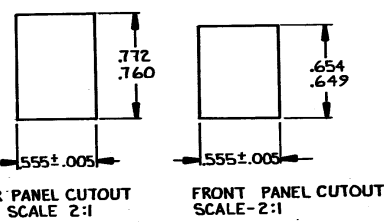
LOC AA 22

THIS DRAWING IS UNPUBLISHED. RELEASED FOR PUBLICATION  
 © COPYRIGHT BY

REVISIONS					
P	F	ZONE/LTR	DESCRIPTION	DATE	APPROVED
		F4	REVISED PER ECO-11-005033	2APR11	RK HMR



- ⚠ BARREL TERMINAL WIRE RANGE: 19-28 AWG SOLID OR STRANDED WIRE MAX INSULATION DIA IS 065.
- 2. MOUNTING PANEL THICKNESS: .062 NOMINAL.
- ⚠ MATERIAL: 6 POSITION STUFFER CAP- POLYCARBONATE, NATURAL. DISCRETE STUFFER CAP- NYLON 6/6. BARREL TERMINAL- TIN COATED PHOSPHOR BRONZE. CONTACTS- NICKEL PLATED HIGH STRENGTH COPPER ALLOY HAVING SELECTIVE GOLD PLATING ON CONTACT AREA AND SELECTIVE TIN PLATING ON BARREL TERMINAL AREA. HOUSING AND KEYSTONE - THERMOPLASTIC, 34 V-0 RATED, SEE TABLE.
- 4. STUFFER CAPS SHIPPED NOT ASSEMBLED.
- 5. BARREL TERMINALS WILL ACCOMODATE ONE OR TWO WIRES OF THE SAME TYPE AND WITHIN PLUS OR MINUS ONE WIRE GAUGE SIZE.



HOUSING COLOR	STUFFER CAP COLOR	WIRE RANGE	DESCRIPTION	PART NO	
OBSOLETE	LT ALMOND	NATURAL	22-26 AWG	KIT WITH 1 SIX POSITION STUFFER CAP	5-554171-4
	BLACK	YELLOW	19-22 AWG	KIT WITH SIX DISCRETE STUFFER CAPS	5-554171-3
		NATURAL	24-28 AWG		5-554171-2
		NATURAL	22-26 AWG	KIT WITH 1 SIX POSITION STUFFER CAP	5-554171-1
	LIGHT ALMOND	NATURAL	22-26 AWG	KIT WITH 1 SIX POSITION STUFFER CAP	-4
OBSOLETE	BLACK	YELLOW	19-22 AWG	KIT WITH 6 DISCRETE STUFFER CAPS	-3
OBSOLETE		NATURAL	24-28 AWG		-2
		NATURAL	22-26 AWG	KIT WITH 1 SIX POSITION STUFFER CAP	554171-1

UNLESS OTHERWISE SPECIFIED DIMENSIONS ARE IN INCHES.		CONTRACT NO	
TOLERANCES ON:		DR <i>C. Yates</i> 6-20-85	
DECIMALS ± .010		CHK <i>Stacy D...</i> 11-85	
ANGLES		APPD <i>Rene Reed</i> 7-01-85	
MATERIAL		APPD <i>J. J. ...</i> 7-1-85	
FINISH		DSGN APPD	
		OTHER APPD	
		NAME	
		TE Connectivity	
		KEYSTONE JACK KIT, 6 POSITION, COMMERCIAL	
SIZE	FSCM NO	DRAWING NO	REV
C	00779	554171	F4
SCALE	SHEET		OF 1
4:1	1		1

CUSTOMER DRAWING

554171