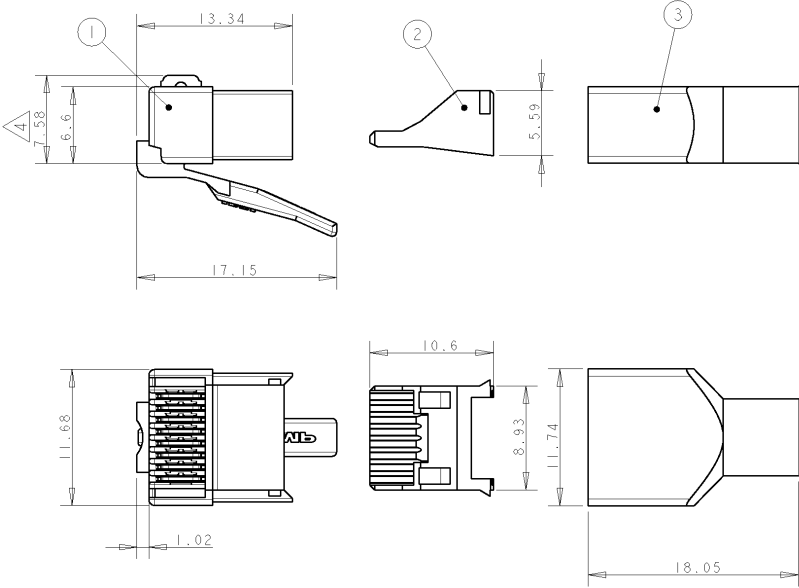


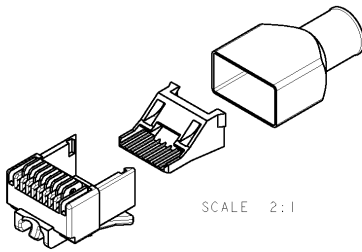
THIS DRAWING IS UNPUBLISHED. RELEASED FOR PUBLICATION 2008
 © COPYRIGHT 2008 BY TYCO ELECTRONICS CORPORATION. ALL RIGHTS RESERVED.

LOC	DIST	REVISIONS				
P	LTR	DESCRIPTION	DATE	DWN	APVD	
1	K	2				
	B	Cable 5,3 w 5,0. Modif note 4. Add not 10	22OCT2008	LD	JS	



- 1 MATERIAL - POLICARBONATE MAKROLON CLEAR.
 TERMINAL - 0.36 THICK PHOSPAR BRONZE PLATED WITH 1,27 microns REMAINDER, OVER 2,54 microns MINIMUM THICK NICKEL UNDERPLATE.
 WIRE HOLDER - POLICARBONATE MAKROLON CLEAR.
 SHIELD - BRASS DIN 17660 - CuZn33.
- 2 DIMENSION ARE NOMINAL UNLESS OTHERWISE SPECIFIED.
3. PLUG WILL BE ACCEPT A 24-26 AWG STRANDED CONDUCTOR, PROVIDED THE INSULATION CONDUCTOR DIAMETER IS WITHIN 0,89 - 1,09; WITH THE SUM OF DIAMETERS FOR ALL EIGHT CONDUCTORS WITHIN THE CABLE MUST NOT EXCEED 7,8 mm. CABLE JACKET DIAMETER OF 5,3 - 6,0 mm.
- 4 TERMINATED DIMENSION 6,15 MAXIMUM.
- 5 PACKAGE: 1000 SUB-ASSEMBLIES, 1000 WIRE HOLDERS AND 1000 SHIELDS.
- 6 PACKAGE: 500 SUB-ASSEMBLIES, 500 WIRE HOLDERS AND 500 SHIELDS.
- 7 PACKAGE: 100 SUB-ASSEMBLIES, 100 WIRE HOLDERS AND 100 SHIELDS.
- 8 PACKAGE: 25 SUB-ASSEMBLIES, 25 WIRE HOLDERS AND 25 SHIELDS.
9. MODULAR PLUG BOOT, PART NUMBER 737893-X (X- DENOTES VARIOUS COLORS), MAY BE USED WITH KIT ASSEMBLY SHOWN.
10. FLAMABILITY RATING: UL 94V-0

8	5-1711345-4
7	5-1711345-3
6	5-1711345-2
5	5-1711345-1
PACKAGE	PART NO



DIMENSIONS:		TOLERANCES UNLESS OTHERWISE SPECIFIED:		Tyco Electronics		Tyco Electronics AMP España, S.A. Barcelona, Spain.	
mm		0 PLC	±	OWN	L. de Dios	10Feb06	
		1 PLC	±	CHK	M. Maqueda	10Feb06	
		2 PLC	±	M			
		3 PLC	±	APVD	I. Sanabria	10Feb06	
		4 PLC	±	NAME	KIT, 8 POSN, SHIELDED, STRANDED, ROUND CABLE, MOD PLUG		
		ANGLES	±	PRODUCT SPEC	108-1990		
				APPLICATION SPEC	114-93006		
MATERIAL		FINISH		WEIGHT	-		
				SIZE	A3	CAGE CODE	00779
				DRAWING NO	G-1711345		RESTRICTED TO
				CUSTOMER DRAWING			

AMP 1470-19 REV 31MAR2000

Proj/ENGINEER DRAWING