

8	7	6	5	4	3	2	1
TE CONNECTIVITY		TE CONNECTIVITY					

REV	DATE	DESCRIPTION	BY	CHK	APP
00					
14		SEE FINAL SHEET	REVISION	TMS	RZ
A1		ECO-11-03/2014	REVISION	GZ	RZ
B		ECO-11-02/010	REVISION	GZ	RZ

1. MATERIAL:  
 HOUSING: BLACK, THERMOPLASTIC, RATED UL 94V-0  
 SHIELD: COPPER ALLOY WITH NICKEL PLATING.  
 CONTACTS: PHOSPHOR BRONZE  
 CONTACT PLATING: 0.05um MIN GOLD OVER  
 0.76um MIN PALLADIUM-NICKEL, AT MATING  
 INTERFACE CONTACT AREA
2. OPERATING TEMPERATURE: FROM 0°C TO 70°C.
3. RECOMMENDED MIN PCB THICKNESS 1.5mm (.062").
4. OPERATING TEMPERATURE: FROM 0°C TO 70°C.
5. DATUM AND BASIC DIMENSION ESTABLISHED BY CUSTOMER.
6. FOR HOLE SIZE AND PLATINGS, SEE SHEET 4.

TE LOGO, PART NUMBER, DATE CODE AND COUNTRY OF ORIGIN, SHOWN APPROXIMATE AREA. DATE CODE: YYWW WHERE "YY" IS YEAR, "WW" IS WEEK, "D" IS DAY OF WEEK, WITH SUNDAY=1.

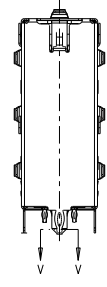
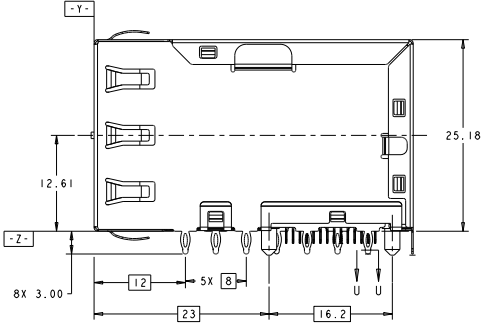
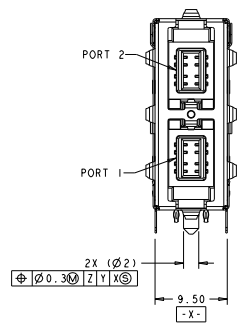
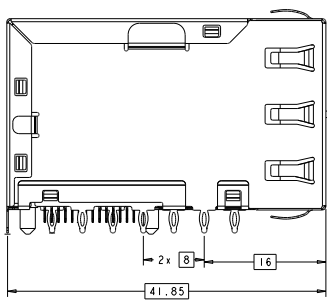
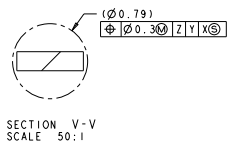
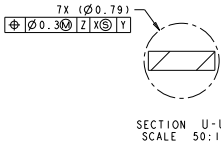
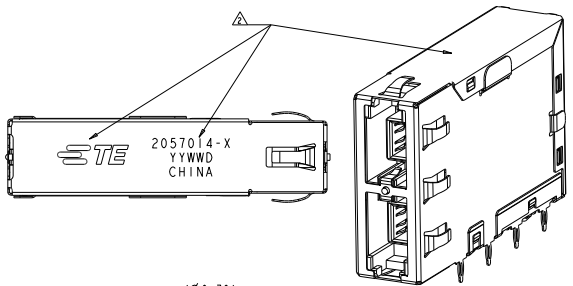
3. MAGNETICS:  
 - APPLICATION: 10/100/1000 BASE -T  
 - IMPEDANCE: 100 OHMS  
 - TRANSMIT OPEN CIRCUIT INDUCTANCE (OCL): 350uH (MIN)  
 Ø100KHZ, 0.1 VRMS WITH 8mA DC BIAS  
 FOR EACH TRANSFORMER OVER T=0°C~+70°C.  
 - TURNS RATIO (CHIP:CABLE): 1:1 ALL PAIRS  
 PERFORMANCE:  
 - ALL PAIRS ARE BI-DIRECTIONAL

FREQUENCY	INSERTION LOSS	RETURN LOSS	CROSSTALK ATTENUATION	COMMON MODE REJECTION RATIO
0.5MHz-1MHz	1.2dB (MAX)	18dB (MIN)	70dB (MIN)	30dB (MIN)
1MHz-40MHz	1.2dB (MAX)	18dB (MIN)	33-20X LOG (F/80)dB (MIN)	30dB (MIN)
40MHz-100MHz	1.2dB (MAX)	12-20X LOG (F/80)dB (MIN)	33-20X LOG (F/80)dB (MIN)	30dB (MIN)

ALL MAGNETIC ELECTRICAL CHARACTERISTICS RATED AT T=25°C

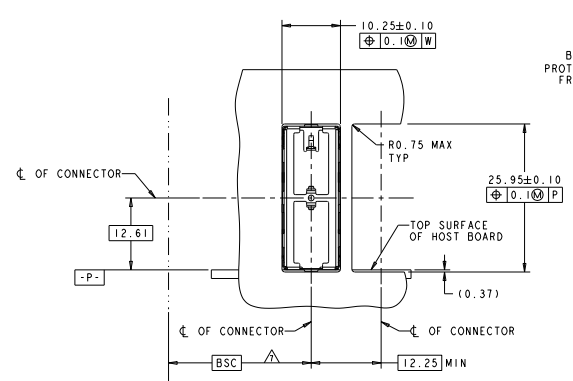
- ISOLATION VOLTAGE: 2250VDC(MAX) FOR 60 SECONDS WITH A RISE TIME OF 500V/SEC. WITH ALL PORTS CONNECTED.

4. LED IS DRIVEN WITH CURRENT AT APPROX 20 mA  
 DOMINANT WAVELENGTH (λD): GREEN 573 nm TYP AT IF=20mA  
 FORWARD VOLTAGE (VF): GREEN 2.0V TYP at IF=20mA  
 DOMINANT WAVELENGTH (λD): RED 624 nm TYP AT IF=20mA  
 FORWARD VOLTAGE (VF): RED 2.0V TYP at IF=20mA  
 DOMINANT WAVELENGTH (λD): YELLOW 589 nm TYP AT IF=20mA  
 FORWARD VOLTAGE (VF): YELLOW 2.0V TYP at IF=20mA

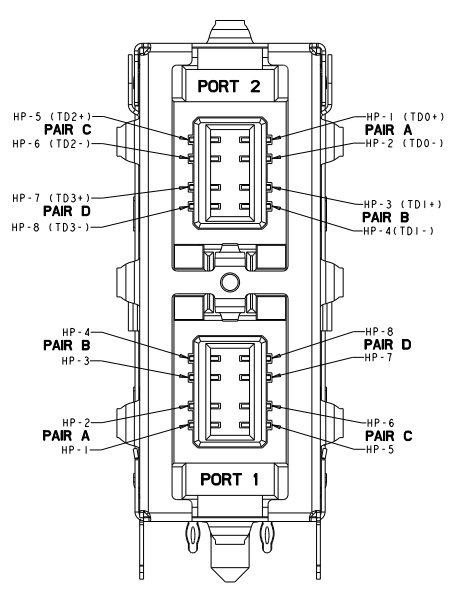
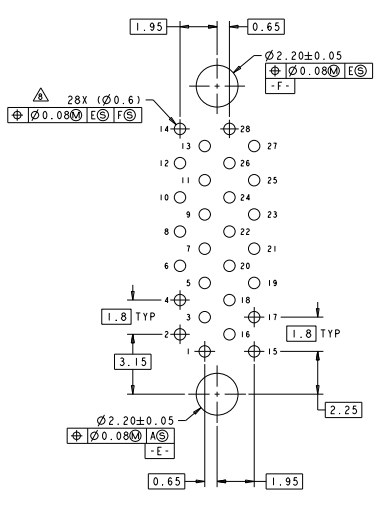
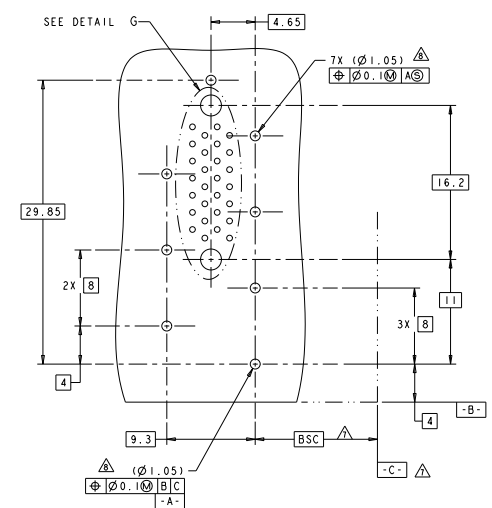


YELLOW/GREEN BI-COLOR		2057014-2	PART NUMBER
RED/GREEN BI-COLOR		2057014-1	
LED COLORS			

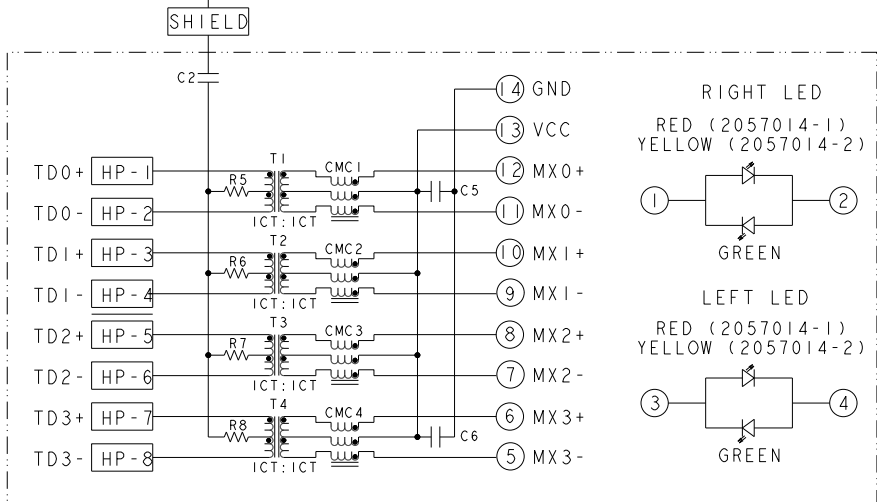
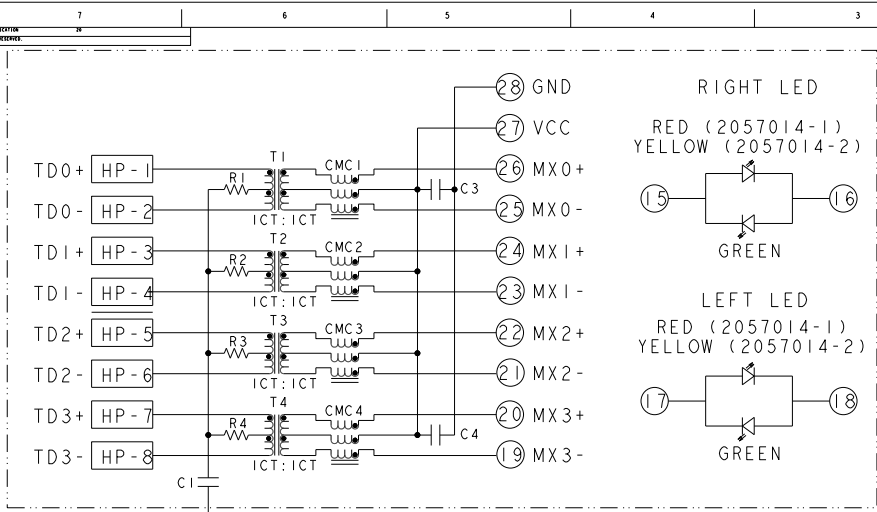
THIS DRAWING IS A CONTROLLED DOCUMENT.		REV: 00	DATE: 11/02/2014	BY: [Signature]	CHK: [Signature]	APP: [Signature]
SYMBOL:	REV:	DATE:	BY:	CHK:	APP:	
DESCRIPTION:	REV:	DATE:	BY:	CHK:	APP:	
APPLICATION SHEET:	REV:	DATE:	BY:	CHK:	APP:	
CUSTOMER DRAWING:	REV:	DATE:	BY:	CHK:	APP:	



RECOMMENDED PANEL CUTOUT  
 SCALE 3:1



THIS DRAWING IS A CONTROLLED DOCUMENT.		REV: 00	DATE: 10/20/2007	BY: JHE	CHK: JHE	APP: JHE
SYMBOLS:		MATERIAL: A		PART NUMBER: 2057014		REV: 00
REV: 00		DATE: 10/20/2007		BY: JHE		CHK: JHE
DESCRIPTION: RECEPTACLE ASSEMBLY, 2X1, NON POE WITH MAGNETICS, RJ POINT FIVE		DRAWN: JHE		CHECKED: JHE		APPROVED: JHE
MATERIAL: A		PART NUMBER: 2057014		REV: 00		DATE: 10/20/2007
CUSTOMER DRAWING		SCALE: 4:1		SHEET: 2		TOTAL SHEETS: 6

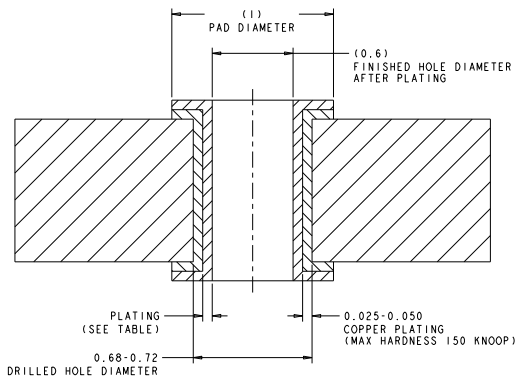


C1-C2 = 1000 pF, 2kV DE-COUPLING CAPACITORS  
 C3-C6 = 0.01uF, 50V, CAPACITORS  
 R1-R8 = 75 Ohm, 1/16W, RESISTORS

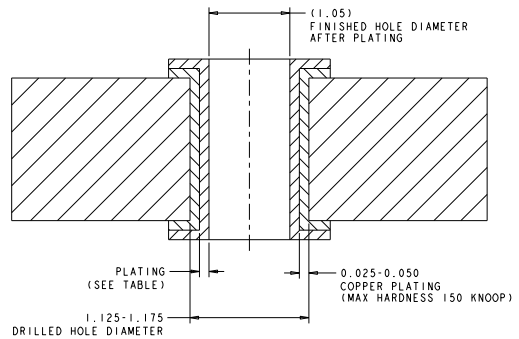
REV	DATE	DESCRIPTION	BY	CHK	APP
00		SEE SHEET 1			

THIS DRAWING IS A CONTROLLED DOCUMENT.		REV. 1	DATE 08/2007	STE TE Connectivity	
SYMBOL	DESCRIPTION	REV.	DATE	RECEPTACLE ASSEMBLY, 2X1, NON POE WITH MAGNETICS, RJ POINT FIVE	
1	RECEPTACLE ASSEMBLY, 2X1, NON POE WITH MAGNETICS, RJ POINT FIVE			APP. 100779 ©=2057014	
DATE	REV.	DATE	REV.	DATE	REV.
CUSTOMER DRAWING		SCALE	4:1	SHEET	3 OF 4

REVISED		REVISIONS	
DATE	BY	DESCRIPTION	APP'D
00	AG	SEE SHEET 1	



**RECOMMENDED HOLE DIMENSIONS FOR SIGNAL CONTACTS**



**RECOMMENDED HOLE DIMENSIONS FOR SHIELD PINS**

THICKNESS	PLATING
0.004-0.010	HOT AIR SOLDER LEVELING (HASL) TIN-LEAD (Sn Pb)
0.0005-0.001	IMMERSION TIN (Sn)
0.0002-0.0005	ORGANIC SOLDERABILITY PRESERVATIVE (OSP)
0.0001-0.0005 Au, 0.004-0.0076 Ni	IMMERSION GOLD (Au) OVER NICKEL (Ni) (ENIG)
0.010-0.025	TIN LEAD PLATING (Sn Pb)
0.0001-0.00015	IMMERSION SILVER (Ag)

THIS DRAWING IS A CONTROLLED DOCUMENT. DATE: 10/28/2008. BY: AG. REVISION: 00. CUSTOMER DRAWING.

RECEPTACLE ASSEMBLY, 2X1, NON POE WITH MAGNETICS, RJ POINT FIVE

100779 ©=2057014

SCALE: 4:1