

4

3

2

1

THIS DRAWING IS UNPUBLISHED. RELEASED FOR PUBLICATION 2008
 © COPYRIGHT 2006 BY TYCO ELECTRONICS CORPORATION. ALL RIGHTS RESERVED.

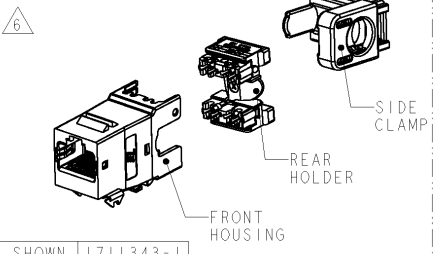
OPTIMIZED FOR F/UTP CABLES	1711343-2
OPTIMIZED FOR S/FTP and F/FTP CABLES	1711343-1
NOTE	PN-DASH

OPTIONS AFTER PRODUCT APPLICATION:

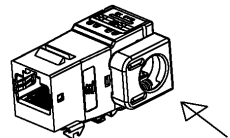
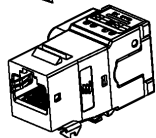
RIGHT CABLE APPLICATION:

LEFT CABLE APPLICATION:

GENERAL VIEW:
BEFORE TERMINATION

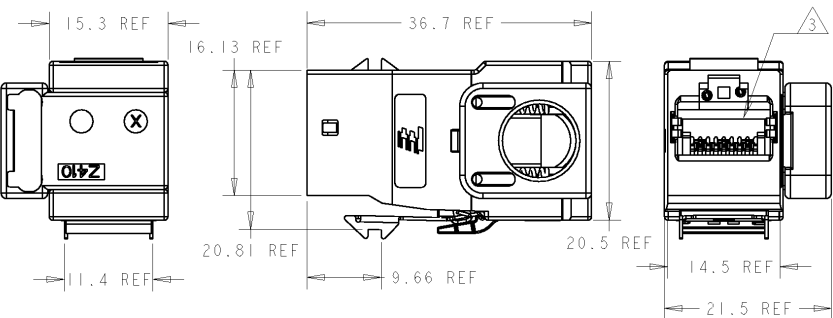


AS SHOWN	1711343-1
COMMENTS	PN

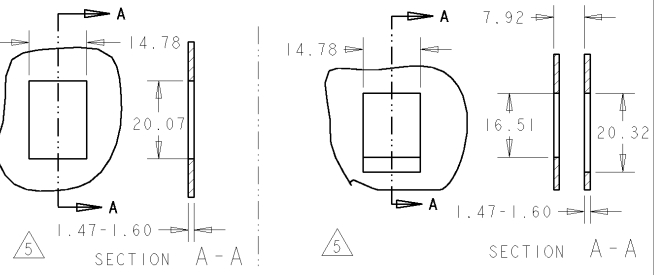


LOC	DIST	REVISIONS				
P	LTR	DESCRIPTION	DATE	DWN	APVD	
A		FIRST ISSUE	08NOV2006	ACG	JS	
B		ECR-08-006695	13MAR2008	ACG	JS	
BI		ADDED DASH 2	14NOV2008	ACG	JS	

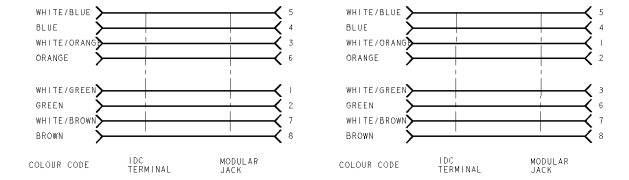
- MATERIAL:**
- FRONT AND REAR HOUSING, CABLE CLAMP: ZAMAK 5. (Z410)
 - IDC CONNECT BLOCK, DUST COVER AND LACING FIXTURE: POLYCARBONATE NATURAL.
 - CUTTING BLADE, SPRINGS, LATCH AND SHIELD CONTACT POINT: STAINLESS STEEL.
 - JACK CONTACTS: BERYLLIUM COPPER, PLATED WITH 1.27 µm MINIMUM THICK GOLD IN LOCALIZED AREA AND 3.81 µm MINIMUM THICK MATTE TIN IN SOLDER AREA OVER 1.27 µm MINIMUM THICK NICKEL UNDERPLATE.
 - IDC TERMINALS: PHOSPHOROUS BRONZE, PLATED WITH 3.81 µm MINIMUM THICK BRIGHT MATTE TIN OVER 1.27 µm MINIMUM THICK NICKEL UNDERPLATE.
2. AMP-TWIST-6S SL JACK WILL TERMINATE:
- SOLID CONDUCTORS: 22-24 AWG.
 - STRANDED CONDUCTORS: 24-26 AWG.
 - MAX. INSULATION DIAMETER: Ø 1.60 mm.
 - MAX. CABLE JACKET: Ø 9.00 mm.
3. CAVITY ACCORDING TO IEC 60603-7-5 Ed. 1.0
4. MOUNTING PANEL THICKNESS 1.47-1.60 mm. (SEE SUGGESTED CUTOUT).
5. THESE TWO SUGGESTED CUTOUT OPENINGS ARE USED IN TANDEM WITH DUAL FRONT AND BACK CUTOUTS.
6. PACKAGING: ACCORDING TO SPEC. 107-93003. ONE SUB-ASSY FRONT HOUSING + ONE SUB-ASSY REAR HOLDER + ONE SUB-ASSY SIDE CLAMP AND ONE 1 SHEET PER POLYBAG.
7. REFER TO 411-93014 FOR TERMINATION INSTRUCTIONS USING SL SERIES TOOL TERMINATION: SL SERIES TOOL PN 1901551-1.
8. DIMENSIONS SHOWN ARE FOR REFERENCE ONLY.



SUGGESTED CUTOUT: SINGLE AND FLUSH-MOUNT APPLICATION



ELECTRICAL SCHEMATIC: WIRING T568 A/B



DIMENSIONS: mm		TOLERANCES UNLESS OTHERWISE SPECIFIED:	
0 PLC	±	0°	±
1 PLC	±	1°	±
2 PLC	±	2°	±
3 PLC	±	3°	±
4 PLC	±	4°	±
ANGLES	±		
MATERIAL		FINISH	

OWN	08NOV2006	Tyco Electronics	Tyco Electronics AMP España, S.A. Barcelona, Spain.
CHK	A. CARRERAS		
APVD	09NOV2006	NAME	
	I. SANABRA	AMP-TWIST-6S SL JACK SIDE EXIT W/O DUST COVER	
PRODUCT SPEC	108-93003	SIZE	CAGE CODE
APPLICATION SPEC	411-93014	DRAWING NO	RESTRICTED TO
WEIGHT	-	A3	00779
CUSTOMER DRAWING		SCALE	

AMP 1470-19 REV SIMAR2000

P10/ENGINEER DRAWING