

THIS DRAWING IS UNPUBLISHED. RELEASED FOR PUBLICATION 2010
 © COPYRIGHT 2006 BY TYCO ELECTRONICS CORPORATION. ALL RIGHTS RESERVED.

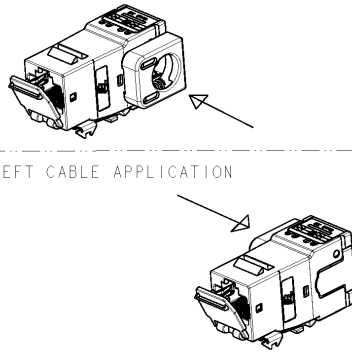
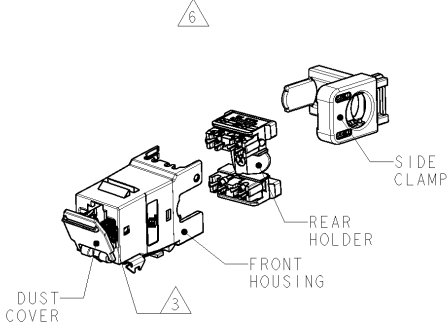
AS SHOWN	1711295-1
COMMENTS	PN

OPTIONS AFTER PRODUCT APPLICATION:

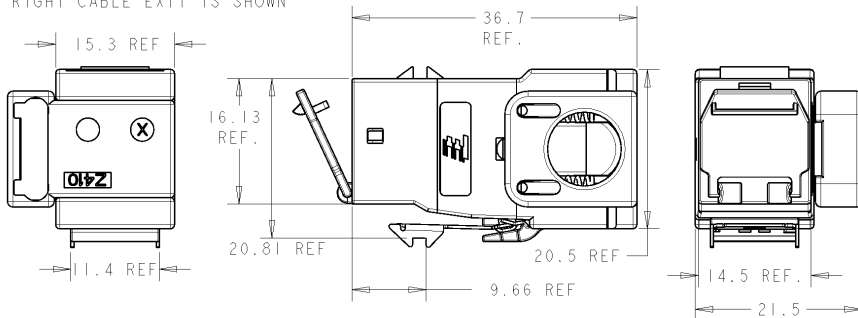
GENERAL VIEW: BEFORE TERMINATION

RIGHT CABLE APPLICATION

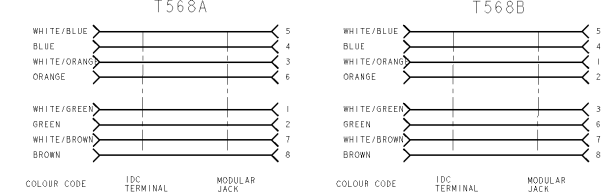
LEFT CABLE APPLICATION



RIGHT CABLE EXIT IS SHOWN



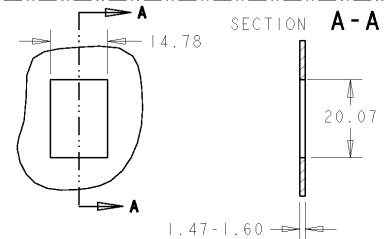
ELECTRICAL SCHEMATIC: WIRING T568 A/B



LOC	DIST	REVISIONS				
P	LTR	DESCRIPTION	DATE	DWN	APVD	
1K	2	A	FIRST ISSUE	08NOV2006	ACG	JS
		B	ECR-08-006695	13MAR2008	ACG	JS
		BI	ADDED DASH 2	14NOV2008	ACG	JS
		C	ECR-10-015378 (NEW HINGES AND COVER)	04AUG2010	ACG	AP

1. MATERIAL:
- FRONT AND REAR HOUSING, CABLE CLAMP: ZAMAK 5, (Z410).
 - IDC CONNECT BLOCK, DUST COVER AND LACING FIXTURE: POLYCARBONATE NATURAL.
 - CUTTING BLADE, SPRING, LATCH AND SHIELD CONTACT POINT: STAINLESS STEEL.
 - JACK CONTACTS: BERYLLIUM COPPER, PLATED WITH 1.27 μ m MINIMUM THICK GOLD IN LOCALIZED AREA AND 3.81 μ m MINIMUM THICK MATTE TIN IN SOLDER AREA OVER 1.27 μ m MINIMUM THICK NICKEL UNDERPLATE.
 - IDC TERMINALS: PHOSPHOROUS BRONZE, PLATED WITH 3.81 μ m MINIMUM THICK BRIGHT MATTE TIN OVER 1.27 MINIMUM THICK NICKEL UNDERPLATE.
2. AMP-TWIST-6S SL JACK WILL TERMINATE:
- SOLID CONDUCTORS: 22-24 AWG.
 - STRANDED CONDUCTORS: 24-26 AWG.
 - MAX. INSULATION DIAMETER: \varnothing 1.60 mm.
 - MAX. CABLE JACKET: \varnothing 9.00 mm.
3. CAVITY ACCORDING TO IEC 60603-7-5 Ed. 1.0
4. MOUNTING PANEL THICKNESS 1.47-1.60 mm. (SEE SUGGESTED CUTOUT).
5. SUGGESTED CUTOUT OPENING.
6. PACKAGING: ACCORDING TO TE PACKAGING SPEC.: 107-93003.
7. REFER TO 411-93014 FOR TERMINATION INSTRUCTIONS USING SL SERIES TOOL TERMINATION: SL SERIES TOOL PN 1725150-3.
8. DIMENSIONS SHOWN ARE FOR REFERENCE ONLY.

SUGGESTED CUTOUT: SINGLE APPLICATION



OPTIMIZED FOR F/UTP CABLES	1711295-2
OPTIMIZED FOR S/FTP and F/FTP CABLES	1711295-1
NOTE	PN-DASH

DIMENSIONS: mm 		TOLERANCES UNLESS OTHERWISE SPECIFIED: 0 PLC \pm 1 PLC \pm 2 PLC \pm 3 PLC \pm 4 PLC \pm ANGLES \pm		DWN 08NOV2006 A. CARRERAS CHR 09NOV2006 J. SANABRA APVD 09NOV2006 I. SANABRA PRODUCT SPEC 108-93003 APPLICATION SPEC 411-93014 WEIGHT - CUSTOMER DRAWING		Tyco Electronics Tyco Electronics AMP España, S.A. Barcelona, Spain. NAME AMP-TWIST-6S SL JACK SIDE EXIT WITH DUST COVER SIZE A3 CAGE CODE 00779 DRAWING NO C-1711295 RESTRICTED TO - SCALE 1:1 SHEET 1 OF 1 REV C	
--------------------	--	---	--	---	--	---	--