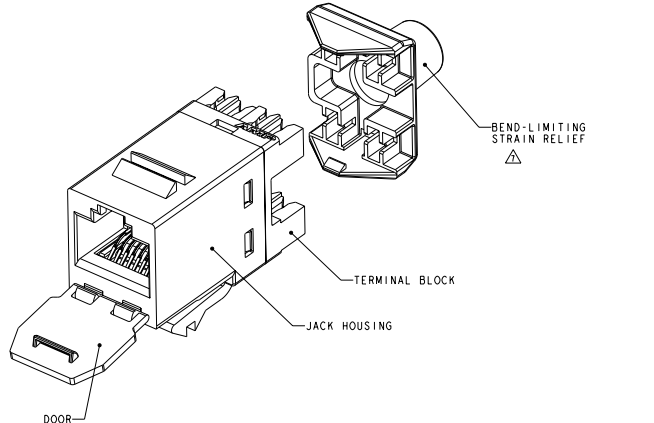
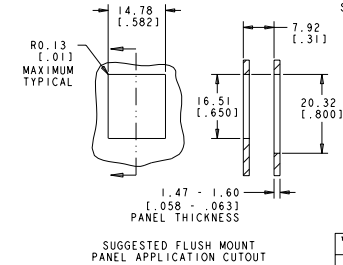
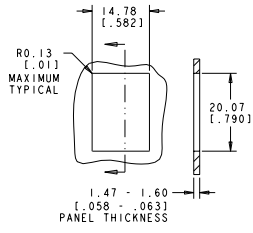
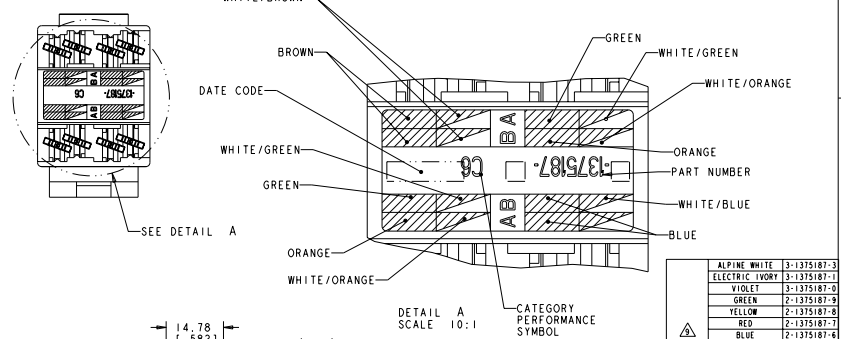
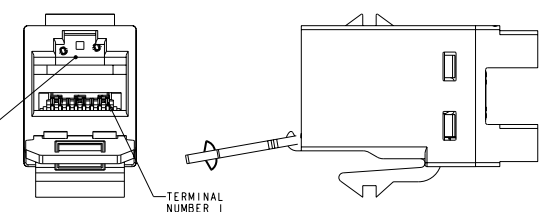


REV	DATE	DESCRIPTION	BY	CHK	APP
J	REV: ECO-11-019781		INOCOR11	JB	SA
K	REV: ECO-11-021538		ZINOCOR11	GG	SA



- △ MATERIAL: JACK HOUSING - POLYCARBONATE, 94V-0 RATED. 110 BLOCK, STRAIN RELIEF AND DOOR - POLYCARBONATE. ARRAY TRAY - PBT POLYESTER. JACK CONTACTS ARRAY - BERYLLIUM COPPER, PLATED WITH 1.27µm (1.00005) MINIMUM THICK GOLD IN LOCALIZED AREA AND 3.81µm (1.00015) MINIMUM THICK MATTE TIN IN BOARD INTERFACE AREA OVER 1.27µm (1.00005) MINIMUM THICK NICKEL UNDERPLATE. IDC TERMINALS - PHOSPHOROUS BRONZE, PLATED WITH 3.81µm (1.00015) MINIMUM THICK MATTE TIN OVER 1.27µm (1.00005) MINIMUM THICK NICKEL UNDERPLATE.
- 2. SL 110 JACK WILL TERMINATE 22-24 AWG SOLID AND 24-26 AWG STRANDED CONDUCTORS, 1.27 (.050) MAXIMUM INSULATION DIAMETER. JACK WILL ACCEPT CONDUCTORS UP TO 1.45 (.057) BUT REQUIRE THE USE OF A STRAIN RELIEF.
- △ CAVITY CONFORMS TO FCC RULES AND REGULATIONS) PART 68 SUBPART F REQUIREMENTS.
- 4. MOUNTING PANEL THICKNESS 1.47 - 1.60 (.058 - .063).
- △ THESE TWO SUGGESTED CUTOUP OPENINGS ARE USED IN TANDEM WITH DUAL FRONT AND BACK CUTOUPS.
- △ ONE MODULAR JACK ASSEMBLY PER POLYBAG.
- △ USE OF STRAIN RELIEF IS OPTIONAL.
- △ REFER TO 408-8858 FOR TERMINATION INSTRUCTIONS USING SL SERIES TOOL. TERMINATION. REFER TO 408-8417 FOR TERMINATION INSTRUCTIONS USING 110 PUNCH DOWN TOOL.
- △ TWENTY-FIVE MODULAR JACKS PER POLYBAG.



COLOR CODE	IDC TERMINAL	MODULAR JACK
WHITE/BLUE	5	5
BLUE	4	4
WHITE/ORANGE	3	3
ORANGE	2	2
WHITE/GREEN	1	1
GREEN	6	6
WHITE/BROWN	7	7
BROWN	8	8

ELECTRICAL SCHEMATIC T568A

COLOR CODE	IDC TERMINAL	MODULAR JACK
WHITE/BLUE	5	5
BLUE	4	4
WHITE/ORANGE	1	1
ORANGE	2	2
WHITE/GREEN	3	3
GREEN	6	6
WHITE/BROWN	7	7
BROWN	8	8

ELECTRICAL SCHEMATIC T568B

ALPINE WHITE	3-1375187-3
ELECTRIC IVORY	3-1375187-1
VIOLET	3-1375187-0
GREEN	2-1375187-5
YELLOW	2-1375187-8
RED	2-1375187-7
BLUE	2-1375187-6
ORANGE	2-1375187-5
NEMA GRAY	2-1375187-4
WHITE	2-1375187-3
BLACK	2-1375187-2
LIGHT ALMOND	2-1375187-1
ALPINE WHITE	1-1375187-3
ELECTRIC IVORY	1-1375187-1
VIOLET	1-1375187-0
GREEN	1375187-9
YELLOW	1375187-8
RED	1375187-7
BLUE	1375187-6
ORANGE	1375187-5
NEMA GRAY	1375187-4
WHITE	1375187-3
BLACK	1375187-2
LIGHT ALMOND	1375187-1

PACKAGE HOUSING COLOR PART NUMBER

THIS DRAWING IS A CONTROLLED DOCUMENT. DATE: 05/07/07

DESIGNED BY: J. WILTS
 DRAWN BY: C. DOOLLEY
 CHECKED BY: J. WILTS
 APPROVED BY: J. WILTS

SCALE: 1:1
 SHEET: 1 OF 1

ASSEMBLY, SL 110 JACK, CAT 6 DUST COVER

STATE: CA
 COUNTY: ALameda
 CITY: Fremont

DATE: 05/07/07
 DRAWING NO: 00779
 REV: 0

TE Connectivity