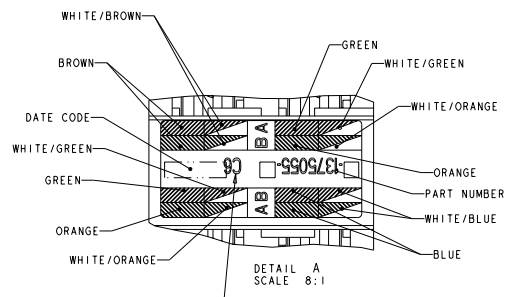
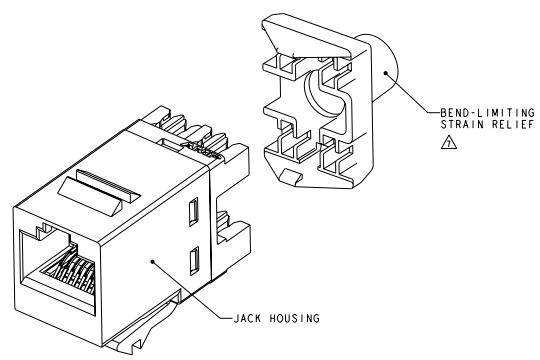
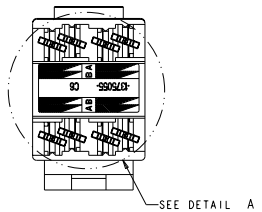
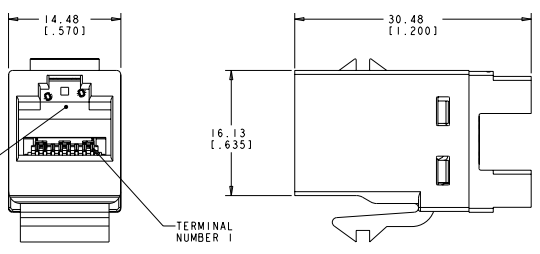


REV	DATE	DESCRIPTION	BY	CHK	APP
1	00	REVISED PER ECO-11-005033	MMW/2011	BA	MMW
2	11-02-1538		ZHO/2011	GG	SA

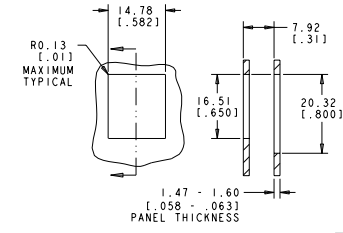
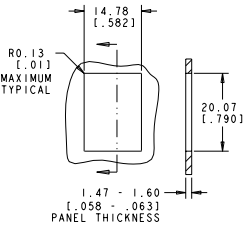


- △ MATERIAL: JACK HOUSING - POLYCARBONATE, 94V-0 RATED. 110 BLOCK AND BEND LIMITING STRAIN RELIEF - POLYCARBONATE. ARRAY TRAY - PBT POLYESTER.
- △ JACK CONTACTS ARRAY - BERYLLIUM COPPER, PLATED WITH 1.27µm (1.00005) MINIMUM THICK GOLD IN LOCALIZED AREA AND 3.81µm (1.00015) MINIMUM THICK MATTE TIN IN BOARD INTERFACE AREA OVER 1.27µm (1.00005) MINIMUM THICK NICKEL UNDERPLATE.
- △ IDC TERMINALS - PHOSPHOROUS BRONZE, PLATED WITH 3.81µm (1.00015) MINIMUM THICK MATTE TIN OVER 1.27µm (1.00005) MINIMUM THICK NICKEL UNDERPLATE.
- 2. SL 110 JACK WILL TERMINATE 22-24 AWG SOLID AND 24-26 AWG STRANDED CONDUCTORS. 1.271 (50) MAXIMUM INSULATION DIAMETER. JACK WILL ACCEPT CONDUCTORS UP TO 1.45 (1.03) BUT REQUIRE THE USE OF A STRAIN RELIEF.
- △ CAVITY CONFORMS TO FCC RULES AND REGULATIONS (PART 68 SUBPART F REQUIREMENTS).
- 4. MOUNTING PANEL THICKNESS 1.47 - 1.60 (.058 - .063).
- △ THESE TWO SUGGESTED CUTOUT OPENINGS ARE USED IN TANDER WITH DUAL FRONT AND BACK CUTOUTS.
- △ ONE MODULAR JACK ASSEMBLY PER POLYBAG.
- △ USE IS OPTIONAL.
- △ TWENTY FIVE MODULAR JACKS PER POLYBAG.
- △ REFER TO 408-8858 FOR TERMINATION INSTRUCTIONS USING SL SERIES TOOL. TERMINATION, REFER TO 408-8417 FOR TERMINATION INSTRUCTIONS USING 110 PUNCH DOWN TOOL.



COLOR CODE	IDC TERMINAL	MODULAR JACK
WHITE/BLUE	5	5
BLUE	4	4
WHITE/ORANGE	3	3
ORANGE	2	2
WHITE/GREEN	1	1
GREEN	2	2
WHITE/BROWN	7	7
BROWN	8	8

ELECTRICAL SCHEMATIC T56A



PACKAGE	HOUSING COLOR	PART NUMBER
ALPINE WHITE	3-1375055-3	
ELECTRIC IVORY	3-1375055-1	
VIOLET	3-1375055-0	
GREEN	2-1375055-9	
YELLOW	2-1375055-8	
RED	2-1375055-7	
BLUE	2-1375055-6	
ORANGE	2-1375055-5	
NEMA GRAY	2-1375055-4	
WHITE	2-1375055-3	
BLACK	2-1375055-2	
LIGHT ALMOND	2-1375055-1	
ALPINE WHITE	1-1375055-3	
ELECTRIC IVORY	1-1375055-1	
VIOLET	1-1375055-0	
GREEN	1375055-9	
YELLOW	1375055-8	
RED	1375055-7	
BLUE	1375055-6	
ORANGE	1375055-5	
NEMA GRAY	1375055-4	
WHITE	1375055-3	
BLACK	1375055-2	
LIGHT ALMOND	1375055-1	

THIS DRAWING IS A CONTROLLED DOCUMENT. DATE: 10/02/2007
 DRAWING NO: 130072001
 REV: 00
 TITLE: ASSEMBLY, SL 110 JACK, CAT 6
 DRAWN BY: [Signature]
 CHECKED BY: [Signature]
 APPROVED BY: [Signature]
 DATE: 10/02/2007
 STATE: CA
 CUSTOMER DRAWING: [Signature]
 SHEET: 6:1