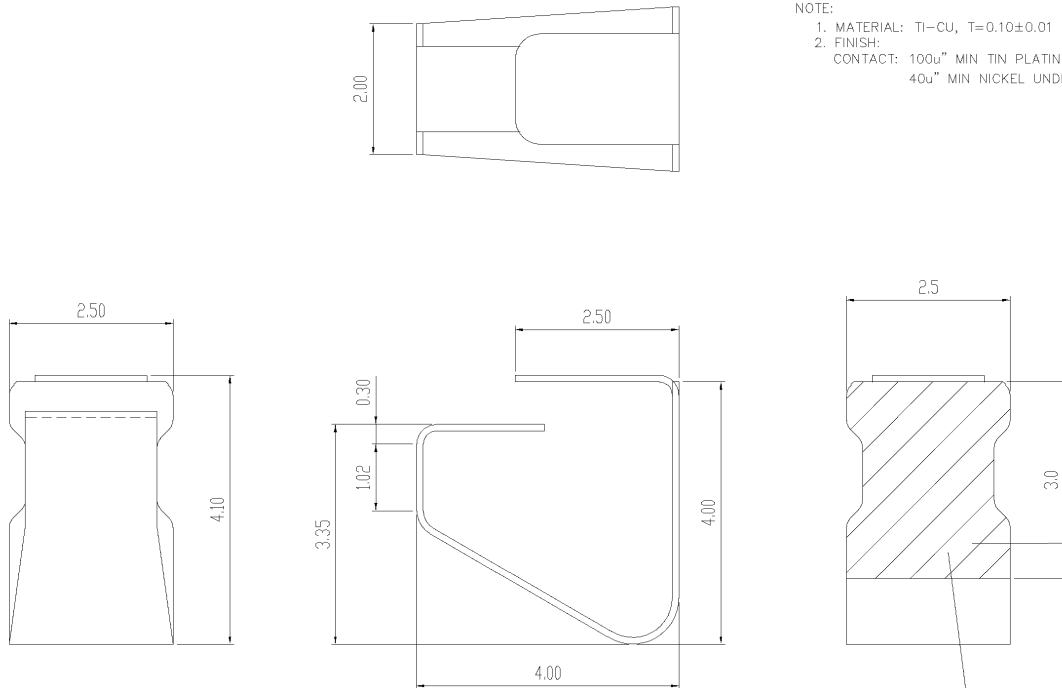


NUMBER C-1734303
METRIC
3RD ANGLE PROJECTION

THIS INFORMATION IS CONFIDENTIAL AND IS REVEALED TO YOU ON THE CONDITION THAT NO PART HEREIN DISCLOSED TO ANY OTHER PERSONNEL WITHOUT THE WRITTEN PERMISSION OF TYCO ELECTRONICS. ALL DIMENSIONS IN MILLIMETERS. DO NOT SCALE PRINT.



NOTE:
1. MATERIAL: TI-CU, T=0.10±0.01
2. FINISH:
CONTACT: 100u" MIN TIN PLATING ON THE SOLDER AREA
40u" MIN NICKEL UNDER PLATING OVERALL

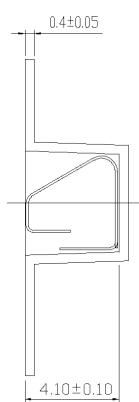
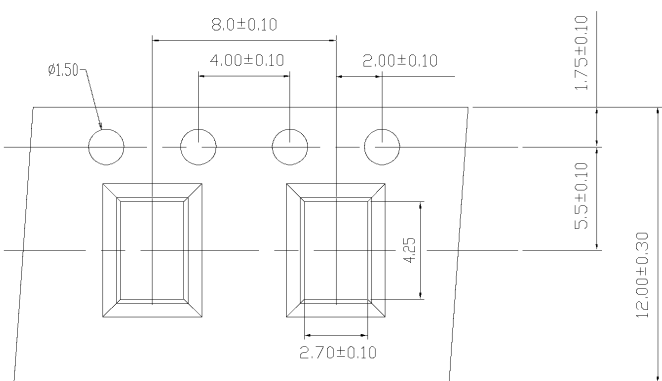
PRINT DW

0	FIRST RELEASED	F200-0278-04	QL	16NOV 2004
LTR	REVISION RECORD	ECN	CHK	DATE

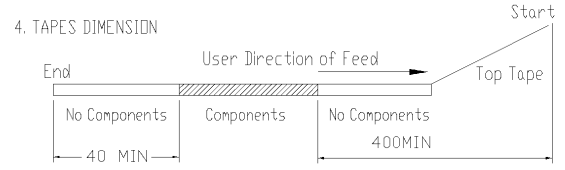
TOLERANCES UNLESS OTHERWISE SPECIFIED:		DWN	Q,LU	1734303-1	
0 PLC ±		16-NOV-2004	16-NOV-2004	PART NUMBER	
1 PLC ±0.3		CHK	S,HOU	TYCO HOLDINGS (BERMUDA)	
2 PLC ±0.15		16-NOV-2004		VI LTD. TAIWAN BRANCH	
3 PLC ±0.03		16-NOV-2004		NAME	
ANGLES ±		APVD	W,J,KE	SHIELD FINGER	
MATERIAL		16-NOV-2004		4025B-T	
SEE NOTE		PRODUCT SPEC		DRAWING NO	
FINISH		108-57526		LDC	REV
SEE NOTE		QUALIFICATION TEST REPORT		DW	0
		501-57601		SCALE	1 OF 2
		WEIGHT		SHEET	
		0.024g		1	

CUSTOMER DRAWING

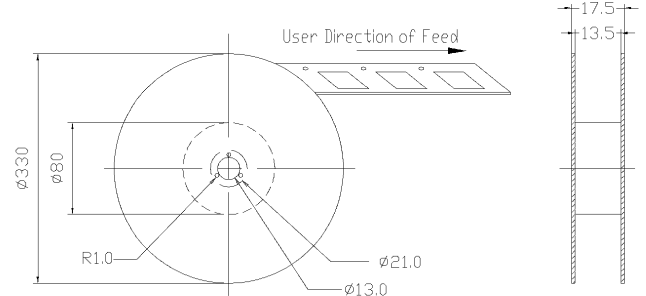
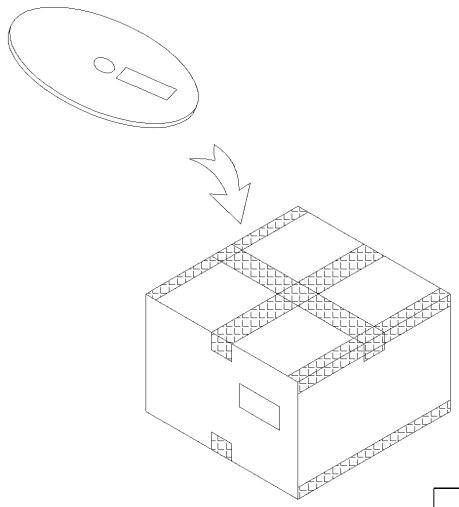
NUMBERS C-1734303
METRIC
3RD ANGLE PROJECTION



- NOTES :
1. QUANTITY :
2000 PCS/REEL
12 REEL/SHIPPING BOX MAX.
 2. DIMENSION :
BOX : 340X340X224
 3. GENERAL TOLERANCE : ±0.12
 4. MATERIAL:
CARRIER TAPE : ACRYLIC FILM
TOP TAPE : PET FILM
REEL : PLASTIC
 5. WEIGHT
NET WEIGHT 3.3kg
GROSS WEIGHT 4.8kg



REEL DIMENSION : REFERENCE ONLY



THIS INFORMATION IS CONFIDENTIAL AND IS REVEALED TO YOU ON THE CONDITION THAT NO PART HEREIN DISCLOSED OR IS MADE BY YOU TO OTHER THAN AMP PERSONNEL WITHOUT DIMENSIONS IN MILLIMETERS. DO NOT SCALE PRINT.

PRINT DW

SEE SHEET 1	ECN	DATE
LTR	REVISION RECORD	DATE

TOLERANCES UNLESS OTHERWISE SPECIFIED		DWN	Q,LU	 TYCO HOLDINGS (BERMUDA) VI LTD. TAIWAN BRANCH
0 PLC ±	1 PLC ±0.12	CHK	16-NOV-2004	
0.05 PLC ±	0.15 PLC ±		S,HOU	NAME
0.10 PLC ±	0.20 PLC ±		16-NOV-2004	SHIELD FINGER
ANGLES ±				4025B-T
MATERIAL	SEE NOTE	APVD	W,J,KK	
FINISH	SEE NOTE	PRODUCT SPEC	16-NOV-2004	
		QUALIFICATION TEST REPORT	-	LDC SIZE DRAWING NO
		WEIGHT	-	DW A3 C-1734303
				SCALE
				SHEET
				2 OF 2

CUSTOMER DRAWING