

4

3

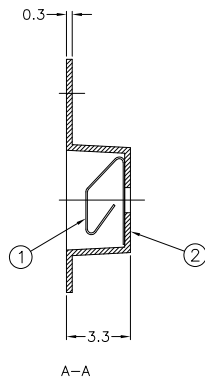
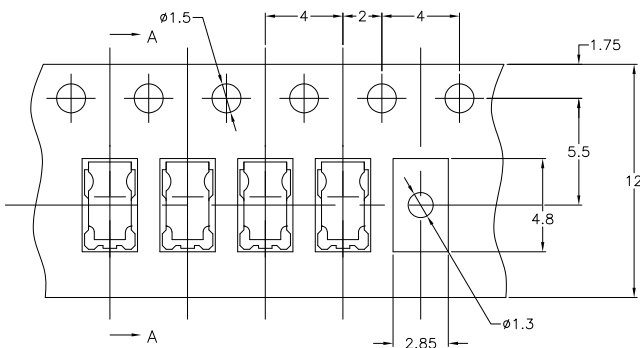
2

1

THIS DRAWING IS UNPUBLISHED. RELEASED FOR PUBLICATION
 © COPYRIGHT BY TYCO ELECTRONICS CORPORATION. ALL RIGHTS RESERVED.

LOC	DIST	REVISIONS					
J	-	P	LTR	DESCRIPTION	DATE	DWN	APVD
		A1	REVISED		07JUN07	C.O	Y.N

DIRECTION OFF TOP OF REEL



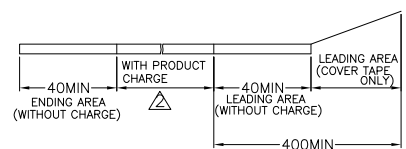
△ PACKING MATERIAL
 EMBOSS CARRIER TAPE : ANTISTATIC TAPE
 COVER FILM : ANTISTATIC FILM
 REEL : PAPER
 - 1 : AS SHOWN
 - 1;本図

△ QUANTITY OF REEL : 5000 EA/REEL

△ PEALING FORCE : 10 to 70 gf

FIG.2 REEL DIMENSION

DIRECTION OFF TOP OF REEL



DIRECTION OFF TOP OF REEL

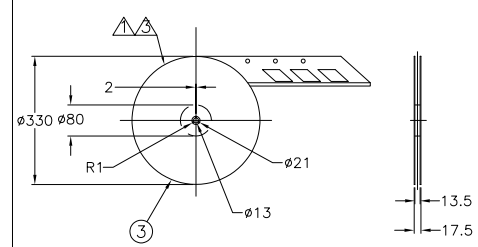
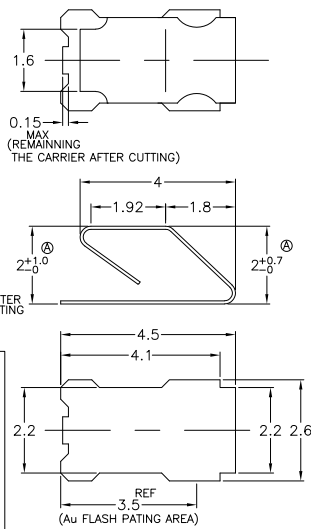
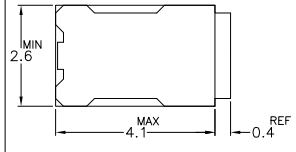


FIG.1 LOOSE PIECE OF SHIELD FINGER 2026



参考パッド寸法
RECOMMENDED FOOT PRINT
REFERENCE ONLY



Q'TY	MATERIAL	FINISH	ITEM
1	REEL		③
△	CARRIER TAPE	△	②
-	SHIELD FINGER 2026		①

THIS DRAWING IS A CONTROLLED DOCUMENT.		DWN H.TAKASU 12JUN2003		Tyco Electronics		Tyco Electronics AMP K.K.	
DIMENSIONS: 単位: 寸 ㎜		CHK K.KODAIRA 16JUN03		NAME		Kawasaki, Japan	
TOLERANCES UNLESS OTHERWISE SPECIFIED: 公差		APVD K.KODAIRA 16JUN03		PRODUCT SPEC		SHIELD FINGER 2026 WITH CONTINUOUS TAPES	
0 PLC ± 5		APPLICATION SPEC		SIZE		RESTRICTED TO	
1 PLC ± 3		取付適用規格		CAGE CODE		-	
2 PLC ± 0.1		WEIGHT		DRAWING NO		-	
3 PLC ± -		CUSTOMER DRAWING		1674954		-	
4 PLC ± -		SCALE 尺度 1:1		SHEET 1 OF 1		REV A1	
ANGLES ± 3							
FINISH 仕上							