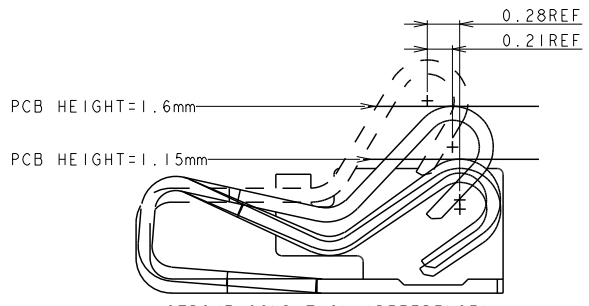
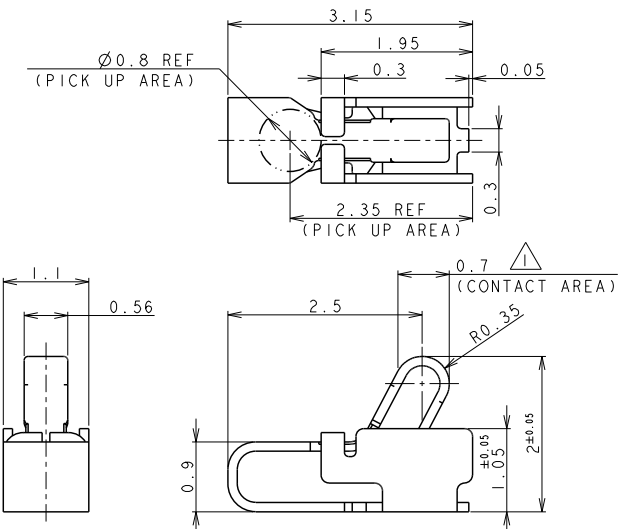


THIS DRAWING IS UNPUBLISHED. RELEASED FOR PUBLICATION 20  
 © COPYRIGHT 20 BY TYCO ELECTRONICS CORPORATION. ALL RIGHTS RESERVED.

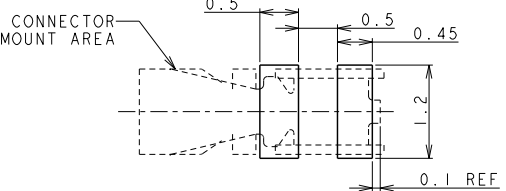
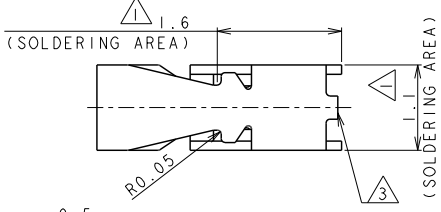
LOC	DIST	REVISIONS				
P	LTR	DESCRIPTION	DATE	DWN	APVD	
	D	REVISED	24 JUN 2010	Y. K.	Y. N.	

AS SHOWN : - 1



STROKE CONDITION (REFERENCE)  
SCALE 30:1

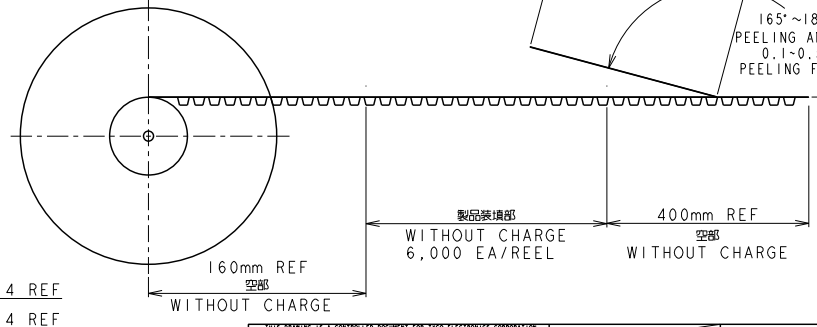
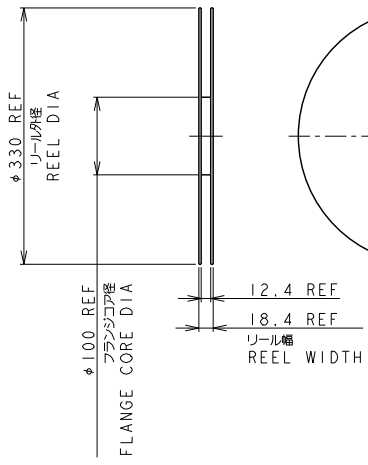
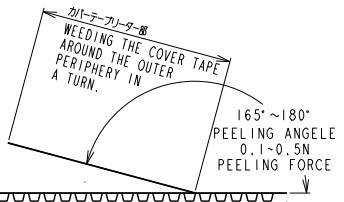
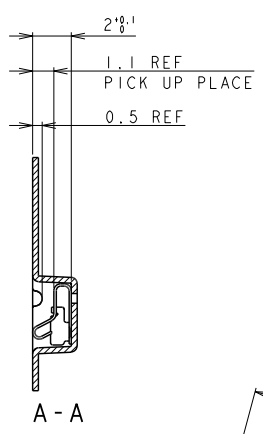
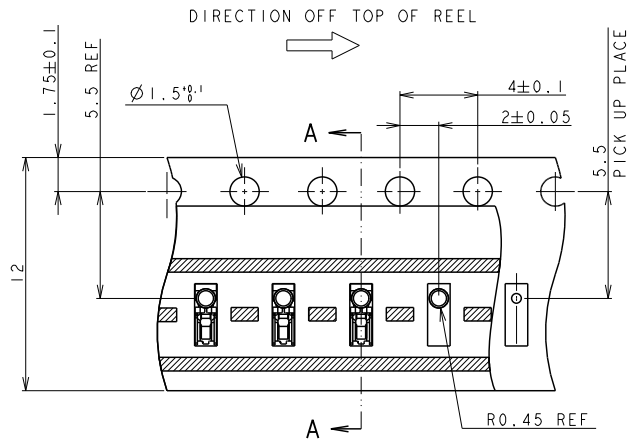
- △ FINISH (PLATING SPECIFICATION)  
 Ni UNDER PLATING : 0.0008mm TO 0.002mm  
 Au PLATING (CONTACT PLATING) : 0.00025mm TO 0.0005mm  
 Au PLATING (SOLDER PLATING) : 0.00005mm TO 0.0005mm
- △ MATERIAL : COPPER ALLOY, THK.=0.12mm
- 4 CUTTING BURR : 0.05mm MAX.
- 4 CIRCUMFERENCE BURRS : 0.03mm MIN.
- 5 DISUSED PACKAGE ING MATERIAL : DRYPACK AND BAKING PROCESS
- △ めっき仕様  
 Ni 下地めっき : 0.0008mm TO 0.002mm  
 Au めっき (接点めっき) : 0.00025mm TO 0.0005mm  
 Au めっき (半田め) : 0.00005mm TO 0.0005mm
- △ 材料 : 銅合金, 板厚=0.12mm
- △ カットバリ : 0.05mm以下
- 4 その他全周バリ : 0.03mm以下
- 5 ドライパック及びベークングは不要のこと



PCB LAYOUT (REFERENCE)  
SCALE 20:1

<small>THIS DRAWING IS A CONTROLLED DOCUMENT FOR TYCO ELECTRONICS CORPORATION          IT IS SUBJECT TO CHANGE AND THE CONTROLLING ENGINEERING ORGANIZATION          SHOULD BE CONTACTED FOR THE LATEST REVISIONS</small>		DWN Y. KUDO	06NOV2009	Tyco Electronics Corporation Kawasaki, Japan
DIMENSIONS: mm		CHK C. OHASHI	06NOV2009	
TOLERANCES UNLESS OTHERWISE SPECIFIED: 一般公差 ±0.15 1-PLC ± 2-PLC ± 3-PLC ± 4-PLC ± ANGLES ±3°		APVD Y. NAKAZAWA	06NOV2009	NAME 58
MATERIAL △ 2		PRODUCT SPEC 108-78724	SHIELD FINGER 2011	
FINISH △ 1		APPLICATION SPEC 2010/08/08	SIZE A3	CAGE CODE 300779
		WEIGHT 0.0098 g	DRAWING NO C-1554901	RESTRICTED TO 58
		CUSTOMER DRAWING	SCALE 20:1	SHEET 1 OF 2 REV D

LOC	DIST	REVISIONS					
		P	LTR	DESCRIPTION	DATE	DWN	APVD
J		-		SEE SHEET 1	-	-	-



THIS DRAWING IS A CONTROLLED DOCUMENT FOR TYCO ELECTRONICS CORPORATION IT IS SUBJECT TO CHANGE AND THE CONTROLLING ENGINEERING ORGANIZATION SHOULD BE CONTACTED FOR THE LATEST REVISIONS.		DWN	<b>Tyco Electronics</b> Tyco Electronics Corporation Kawasaki, Japan	
DIMENSIONS: 単位: ㎜	TOLERANCES UNLESS OTHERWISE SPECIFIED:	CHK	NAME	
0 - 0.2	0 - 0.2	APVD	SHIELD FINGER 2011	
1 - PLC	1 - PLC	PRODUCT SPEC	SIZE	CAGE CODE
2 - PLC	2 - PLC	APPLICATION SPEC	A300779	DRAWING NO
3 - PLC	3 - PLC	FINISH	C	1554901
4 - PLC	4 - PLC	ANGLES	RESTRICTED	
ANGLES	±3°	WEIGHT	CUSTOMER DRAWING	
MATERIAL			SCALE	SHEET
			20:1	2 OF 2
				REV D