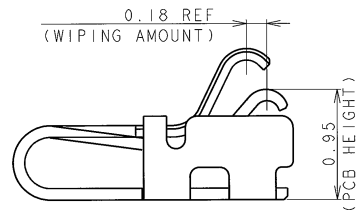
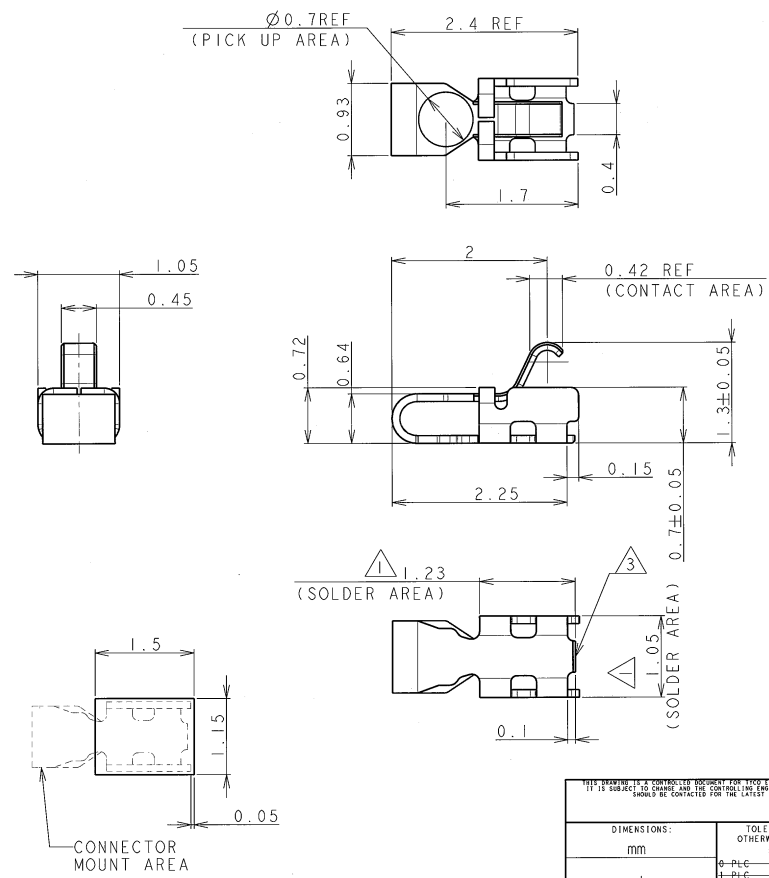


THIS DRAWING IS UNPUBLISHED. RELEASED FOR PUBLICATION 20
 © COPYRIGHT 20 BY TYCO ELECTRONICS CORPORATION. ALL INTERNATIONAL RIGHTS RESERVED.

LOC	DIST	REVISIONS			
P	LFR	DESCRIPTION	DATE	OWN	APVD
	A	RELEASED	13JAN2010	Y. K.	Y. N.

AS SHOWN : - 1



STROKE CONDITION
SCALE 30:1

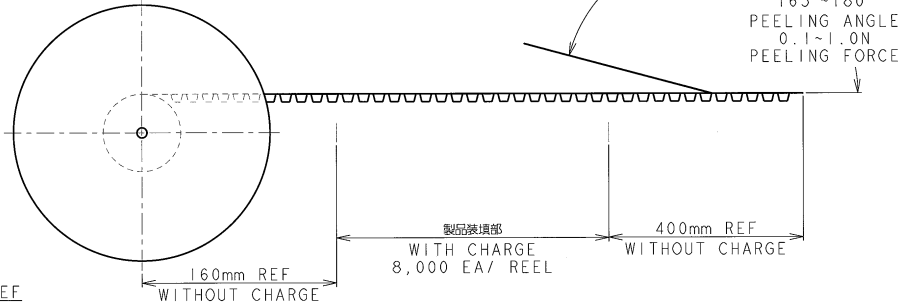
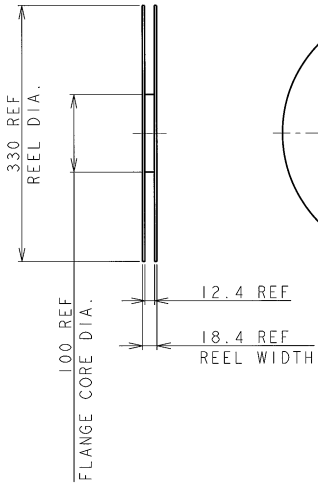
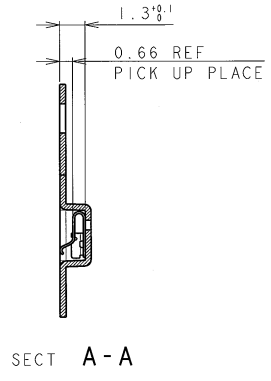
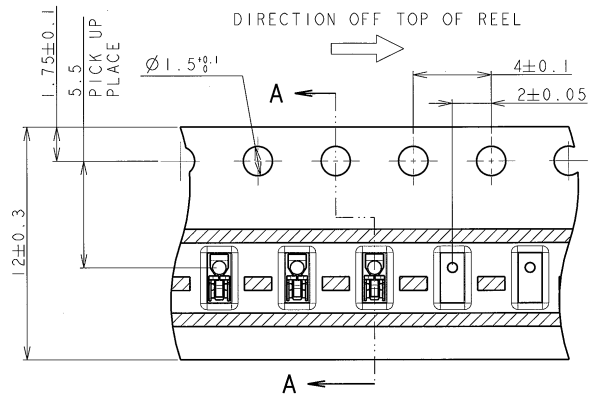
- △ FINISH (PLATING SPECIFICATION)
 Ni UNDER PLATING : 0.0008mm TO 0.002mm
 Au PLATING (CONTACT PLATING) : 0.00025mm TO 0.0005mm
 AU PLATING (SOLDER PLATING) : 0.00005mm TO 0.0005mm
- △ MATERIAL : COPPER ALLOY, THK.=0.1mm
- △ CUTTING BURR : 0.05mm MAX.
- 4 DISUSED PACKAGEING MATERIAL : DRYPACK AND BAKING PROCESS
- △ めっき仕様
 Ni 下地めっき : 0.0008mm - 0.002mm
 Au めっき (接点部めっき) : 0.00025mm TO 0.0005mm
 AU めっき (半田部) : 0.00005mm TO 0.0005mm
- △ 材料 : 銅合金, 板厚=0.1mm
- △ カット/リジ : 0.05mm以下
- 4 ドライパック及びベーキングは不要のこと

CONNECTOR MOUNT AREA
PCB LAYOUT (REFERENCE)

<small>THIS DRAWING IS A CONTROLLED DOCUMENT FOR TYCO ELECTRONICS CORPORATION IT IS SUBJECT TO CHANGE AND THE CONTROLLING ENGINEERING ORGANIZATION SHOULD BE CONTACTED FOR THE LATEST REVISION</small>		DWN Y. KUDO	01DEC2009	Tyco Electronics Corporation Kawasaki, Japan
		CHK C. OHASHI	01DEC2009	
		APVD Y. NAKAZAWA	01DEC2009	NAME SHIELD FINGER 1310
DIMENSIONS: mm		TOLERANCES UNLESS OTHERWISE SPECIFIED: ±0.15		PRODUCT SPEC 108-78740
		0-PLC ± 1-PLC ± 2-PLC ± 3-PLC ± 4-PLC ± ANGLES ±3°		APPLICATION SPEC
MATERIAL		FINISH		SIZE A3
△ 2		△ 1		CAGE CODE 300779
		WEIGHT 0.0044 g		DRAWING NO C=1554825
CUSTOMER DRAWING		SCALE 20:1		RESTRICTED TO
		SHEET 1 OF 2		REV A

THIS DRAWING IS UNPUBLISHED. RELEASED FOR PUBLICATION 20
 © COPYRIGHT 20 BY TYCO ELECTRONICS CORPORATION. ALL INTERNATIONAL RIGHTS RESERVED.

LOC	DIST	REVISIONS					
		#	LTR	DESCRIPTION	DATE	DWN	APVD
J	-	-	-	SEE SHEET 1	-	-	-



<small>THIS DRAWING IS A CONTROLLED DOCUMENT FOR TYCO ELECTRONICS CORPORATION IT IS SUBJECT TO CHANGE AND THE CONTROLLING ENGINEERING ORGANIZATION SHOULD BE CONTACTED FOR THE LATEST REVISION</small>		DWN	Tyco Electronics Corporation Kawasaki, Japan	
DIMENSIONS:	TOLERANCES UNLESS OTHERWISE SPECIFIED:	CHK	NAME	
mm	±0.2	APVD	SHIELD FINGER 1310	
	0-PLC ± 1-PLC ± 2-PLC ± 3-PLC ± 4-PLC ± ANGLES ±3° FINISH	PRODUCT SPEC	SIZE	CAGE CODE
MATERIAL		APPLICATION SPEC	A3	00779
		WEIGHT	DRAWING NO	
		CUSTOMER DRAWING	C=1554825	
			SCALE	SHEET
			20:1	2 OF 2
				REV
				A