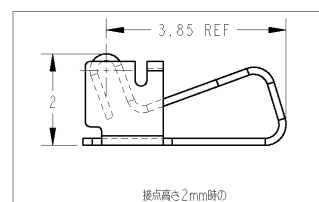
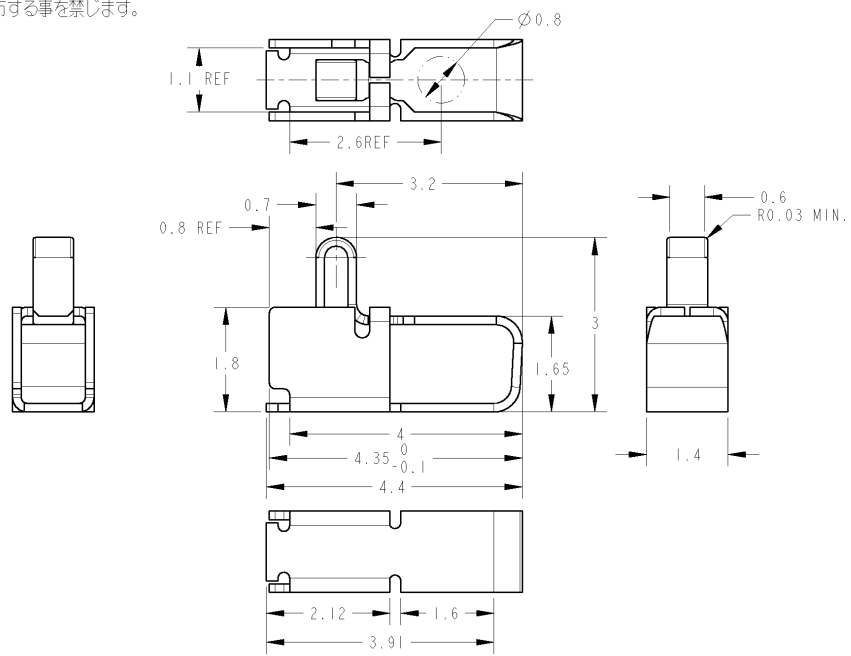


THIS DRAWING IS UNPUBLISHED. RELEASED FOR PUBLICATION 20
 COPYRIGHT 20 BY TYCO ELECTRONICS CORPORATION. ALL RIGHTS RESERVED.

本図面に記載された内容はタイコ エレクトロニクス アンパ(株)の所有する情報を開示してあります。
 無断で複写・配布する事を禁じます。

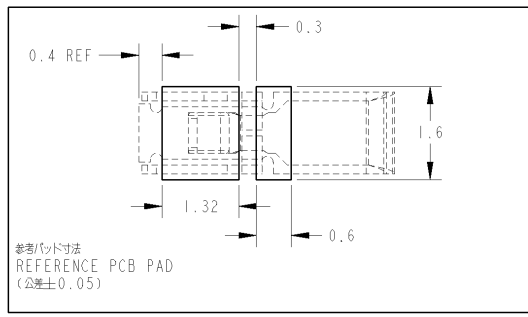
特許出願中

LOC	DIST	REVISIONS					
J	-	P	LTR	DESCRIPTION	DATE	DWN	APVD
		A1		REVISED	20NA107	C.O	Y.N



-1; 本図
 -1; AS SHOWN

- △めっき仕様
 全面Ni下地 : 0.8 μ m MIN
 コンタクトポイント : Au 0.25~0.5 μ m
 半田付けエリア : Au 0.05 μ m MIN
- 2.カットバリ : 0.05MAX
 その他 全周バリ : 0.03MAX
- △3 材料: 銅合金
 4 1mmストローク時に1N以上
- △1 PLATED
 ALL OVER; Ni 0.8 μ m MIN
 CONTACT POINT; Au 0.25~0.5 μ m
 SOLDERING AREA; Au 0.05 μ m MIN
- 2. CUT BURR; 0.05 MAX.
 OTHER BURR; 0.03 MAX.
- △3 MATERIAL; COPPER ALLOY
 4 IN MIN./ 1mm STROKE



DIMENSIONS: 単位: 英 mm		TOLERANCES UNLESS OTHERWISE SPECIFIED: 一般値 ±0.2 0-PLC ±0.5 1-PLC ±0.5 2-PLC ±0.13 3-PLC ±0.001 4-PLC ±0.001 ANGLES 8°		OWN TOMAR2005 CHK C. OHASHI T. KIMURA APVD T. KIMURA T. KIMURA		tyco Electronics Tyco Electronics AMP K.K. Kawasaki, Japan	
MATERIAL 材料 SEE NOTE		FINISH 仕上げ SEE NOTE		PRODUCT SPEC 製品規格 APPLICATION SPEC 応用規格 WEIGHT 0.01g		NAME 名称 SHIELD FINGER 3014 ANTI OVER STRESS TYPE EMBOSS PACKING	
△1		△2		SIZE 寸法 A3 CAGE CODE 00779 DRAWING NO. 1827625		RESTRICTED TO SCALE 1:5 SHEET 1 OF 2 REV A1	

AMP 1470-19 REV 31MAR2000
 P10/ENGINEER DRAWING

4

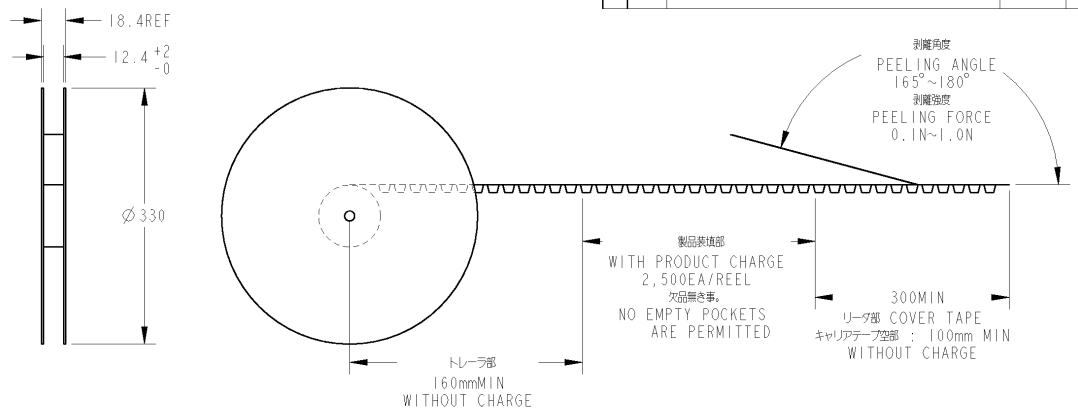
3

2

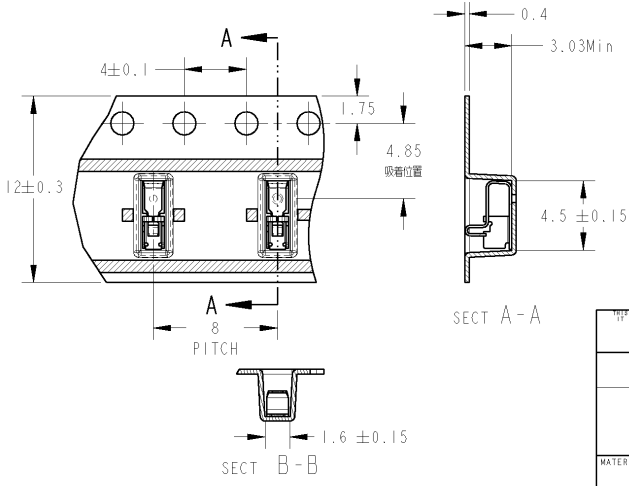
1

THIS DRAWING IS UNPUBLISHED. RELEASED FOR PUBLICATION
 © COPYRIGHT 20 BY TYCO ELECTRONICS CORPORATION. ALL RIGHTS RESERVED.

LOC	DIST	REVISIONS			
P	LTR	DESCRIPTION	DATE	DWN	APVD
-	-	SEE SHEET 1	-	-	-



→ DIRECTION OF TOP OF REEL



- 1 ; AS SHOWN
 - 1 ; 本 図

<small>THIS DRAWING IS A CONTROLLED DOCUMENT FOR TYCO ELECTRONICS CORPORATION IT IS SUBJECT TO CHANGE AND THE CONTROLLING ENGINEERING DEPARTMENT SHOULD BE CONTACTED FOR THE LATEST REVISION.</small>		DWN TOMAR2005 CHX C. OHASHI T. KIMURA APVD T. KIMURA TOMAR2005 T. KIMURA PRODUCT SPEC APPLICATION SPEC WEIGHT CUSTOMER DRAWING	tyco Electronics Tyco Electronics AMP K.K. Kawasaki, Japan NAME SHIELD FINGER 3014 ANTI OVER STRESS TYPE EMBOSS PACKING SIZE CAGE CODE DRAWING NO A3 00779 C-1827625 RESTRICTED TO
DIMENSIONS: mm TOLERANCES UNLESS OTHERWISE SPECIFIED: 0 PLC ± 1 PLC ±0.5 2 PLC ±0.13 3 PLC ±0.013 4 PLC ±0.0001 ANGLES ±	MATERIAL FINISH	SCALE 1.5:1 SHEET 2 OF 2 REV A1	