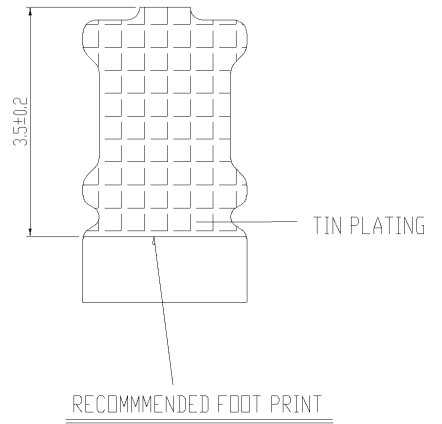
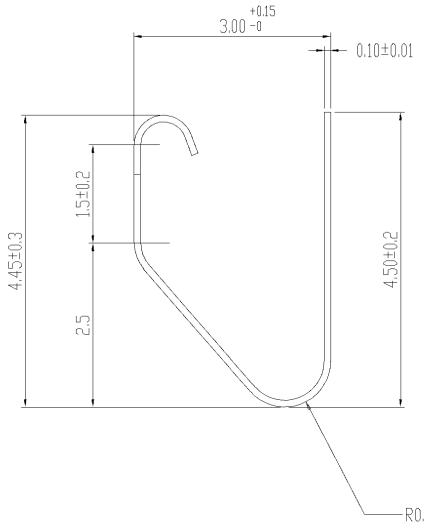
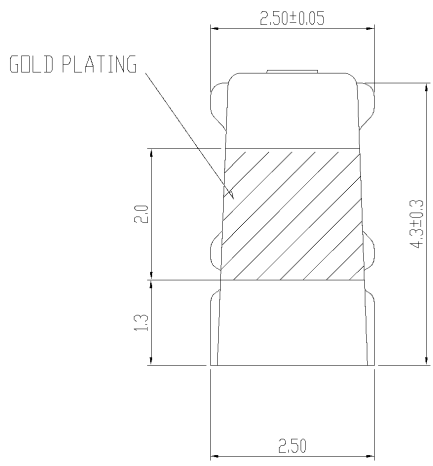


NUMBER C-1734300
METRIC
3RD ANGLE PROJECTION

THIS INFORMATION IS CONFIDENTIAL AND IS REPEATED TO YOU ON CONDITION THAT NO FURTHER DISCLOSURE IS MADE BY YOU TO OTHER THAN AMP PERSONNEL WITHOUT DIMENSIONS IN MILLIMETERS. DO NOT SCALE PRINT.



NOTE:
1. MATERIAL: TI-CU, T=0.10±0.01
2. FINISH:
CONTACT: 2u' MIN GOLD PLATING ON THE CONTACT
100u' MIN TIN PLATING
30u' MIN NICKEL UNDER PLATING OVERALL

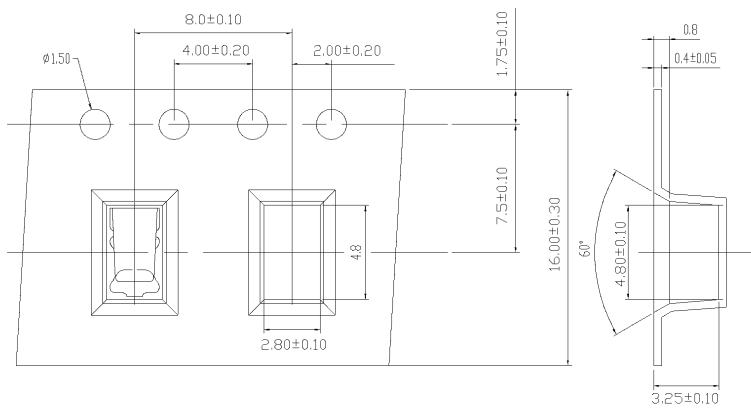
PRINT DW

0	FIRST RELEASED	F200-0244-04	QL	26OCT	
LTR	REVISION RECORD	ECN	CHK	DATE	

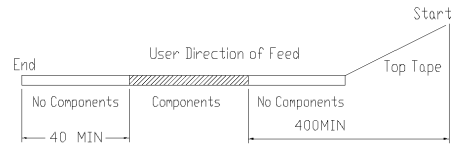
TOLERANCES UNLESS OTHERWISE SPECIFIED:		DWN	Q,LU	1734300-1	
0	PLC ±		26-Oct-2004	PART NUMBER	
1	PLC ±0.3	CHK	S,HOU	TYCO Electronics	
2	PLC ±0.15		26-Oct-2004	TYCO HOLDINGS (BERMUDA)	
3	PLC ±0.03			VI LTD. TAIWAN BRANCH	
4	ANGLES ±			NAME	
MATERIAL		APVD	W,J,KE	SHIELD FINGER	
SEE NOTE			26-Oct-2004	3025-Z1-T	
FINISH		PRODUCT SPEC		LDC SIZE DRAWING NO	
SEE NOTE		108-57507		DW A3	C-1734300
		QUALIFICATION TEST REPORT		SCALE	SHEET
		501-57581		--	1 OF 2
		WEIGHT			
		0.021g			

CUSTOMER DRAWING

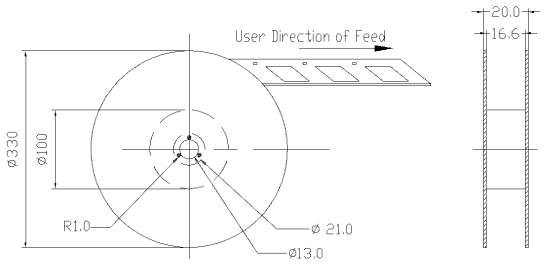
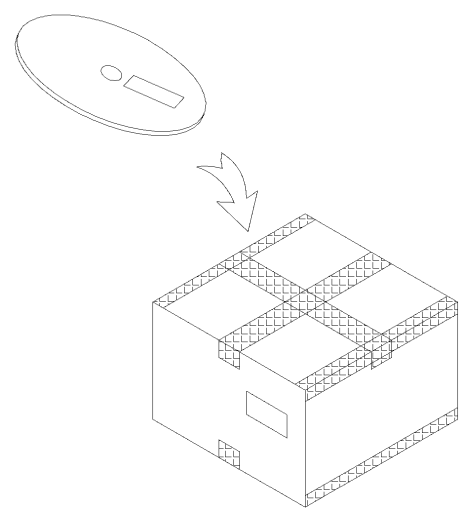
NUMBERS C-1734300
METRIC
3RD ANGLE PROJECTION



- NOTES :
1. QUANTITY :
2500 PCS/REEL
10 REEL/SHIPPING BOX MAX.
 2. DIMENSION :
BOX : 340X340X224
 3. GENERAL TOLERANCE : ±0.12
 4. MATERIAL:
CARRIER TAPE : ACRYLIC FILM
TOP TAPE : PET FILM
REEL : PLASTIC
 5. WEIGHT
NET WEIGHT 3.3kg
GROSS WEIGHT 4.8kg



5. REEL DIMENSION : REFERENCE ONLY



THIS INFORMATION IS CONFIDENTIAL AND IS REVEALED TO YOU ON THE CONDITION THAT NO PART HEREIN DISCLOSED OR IS IN ANY MANNER TO BE USED BY YOU OR OTHER PERSONNEL WITHOUT THE WRITTEN PERMISSION OF TYCO ELECTRONICS. DIMENSIONS IN MILLIMETERS. DO NOT SCALE PRINT.

TOLERANCES UNLESS OTHERWISE SPECIFIED	DWN	Q,LU	 TYCO HOLDINGS (BERMUDA) VI LTD. TAIWAN BRANCH
0 PLC ±	26-Oct-2004	S,HOU	
1 PLC ±0.12	CHK	26-Oct-2004	NAME
2 PLC ±0.1			SHIELD FINGER
3 PLC ±0.05			3025-Z1-T
4 PLC ±			
ANGLES ±			
MATERIAL	APVD	W,J,KE	
SEE NOTE		26-Oct-2004	
	PRODUCT SPEC		
FINISH	QUALIFICATION TEST REPORT	LDC	SIZE
SEE NOTE		DW	A ₃
	WEIGHT	SCALE	DRAWING NO
			C-1734300
			REV
			0
			SHEET
			2 OF 2

SEE SHEET 1	ECN	DATE
LTR	REVISION RECORD	DATE

8 7 6 5 4 3 2 1 CUSTOMER DRAWING