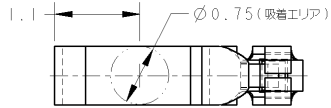
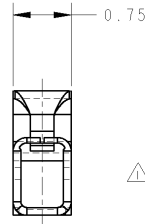
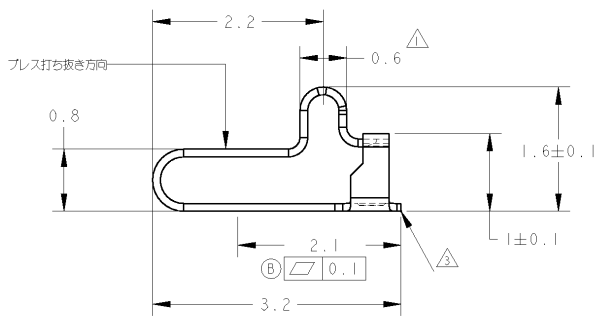


THIS DRAWING IS UNPUBLISHED. RELEASED FOR PUBLICATION
 BY TYCO ELECTRONICS CORPORATION. ALL RIGHTS RESERVED.

LOC	DIST	REVISIONS			
P	LTR	DESCRIPTION	DATE	DWN	APVD
A		REVISED FJ00-0399-02	20FEB02	KT	KK
B		REVISED EC: FJBO-103-04	04FEB04	Y.H	KK
C		REVISED FJBO-0183-04	20FEB04	H.T	K.K



- 1: 本図
 - 1: AS SHOWN



△ メッキ仕様 (材料メッキ)
 Ni UNDER PLATING: 0.8μm MIN
 CONTACT POINT: Au 0.25~0.50μm
 SOLDERING AREA: Au 0.05μm MIN

△ カットバリ: 0.05MAX.

△ その他全周バリ: 0.03MAX

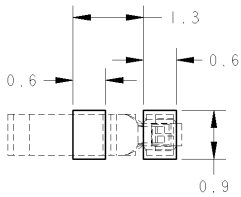
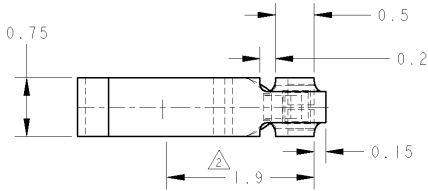
◎ 4 ドライバック およびベーキングは不用のこと

△ FINISH (PLATED MATERIAL)
 Ni UNDER PLATING: 0.8μm MIN
 CONTACT POINT: Au 0.25~0.50μm
 SOLDERING AREA: Au 0.05μm MIN

△ CUTTING BURR: 0.05MAX.

△ CIRCUMFERENCE BURRS: 0.03MAX

◎ 4 DISUSED PACKAGEING MATERIAL : DRYPACK AND BAKING PROCESS



参考パッド寸法

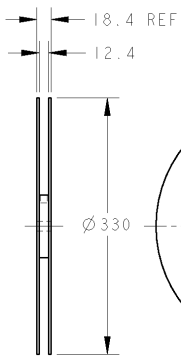
<small>THIS DRAWING IS A CONTROLLED DOCUMENT FOR TYCO ELECTRONICS CORPORATION IT IS SUBJECT TO CHANGE AND THE CONTROL FOR ENGINEERING DEPARTMENT SHOULD BE CONTACTED FOR THE LATEST REVISION.</small>		DWN 23AUG2001 K. TANAKA CHG 23AUG2001 K. KODAIRA APVD 23AUG2001 K. KODAIRA	tyco Electronics Tyco Electronics AMP K.K. Kawasaki, Japan
DIMENSIONS: mm		PRODUCT SPEC 108-5786	NAME SHIELD FINGER 1608
TOLERANCES UNLESS OTHERWISE SPECIFIED: 0 PLC ±0.2 1 PLC ±0.2 2 PLC ±0.2 3 PLC ±0.2 4 PLC ±0.2 ANGLES ±0.2		APPLICATION SPEC -	SIZE CAGE CODE DRAWING NO A3 00779 C-1565322
MATERIAL -		FINISH SEE NOTE	WEIGHT -
RESTRICTED TO -		CUSTOMER DRAWING	
SCALE 20:1		SHEET 1 OF 2 REV C	

AMP 1470-19 REV 31MAR2000

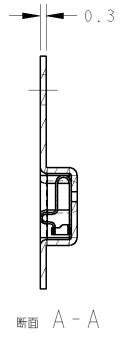
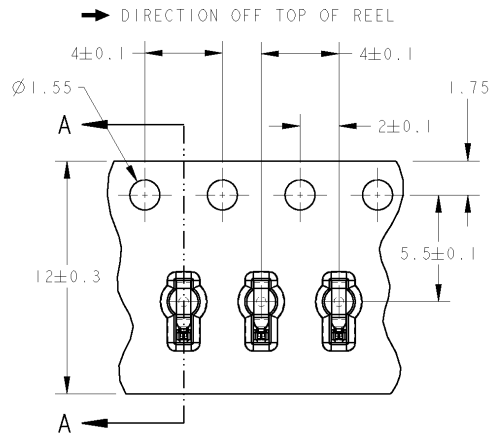
Proj/ENGINEER DRAWING

THIS DRAWING IS UNPUBLISHED. RELEASED FOR PUBLICATION
 © COPYRIGHT 20 BY TYCO ELECTRONICS CORPORATION. ALL RIGHTS RESERVED.

LOC	DIST	REVISIONS			
P	LTR	DESCRIPTION	DATE	DWN	APVD
-	-	SEE SHEET 1 OF 2	-	-	-



PEELING ANGLE : 165°~180°
 PEELING FORCE 0.1N~1.0N
 (C) WEEDING THE COVER TAPE : 300MIN
 (INCLUDED EMPTINESS POCKET)



トレーラ部 160mmMIN WITHOUT CHARGE
 (C) 製品装填部 欠品無きこと WITH PRODUCT CHARGE NO STOCK-OUT IN POCKET 5,000EA/REEL
 (C) 100MIN キャリアテープ空部: 100mm以上 WITHOUT CHARGE

<small>THIS DRAWING IS A CONTROLLED DOCUMENT FOR TYCO ELECTRONICS CORPORATION. IT IS SUBJECT TO CHANGE AND THE CONTROLLING ENGINEERING DEPARTMENT SHOULD BE CONTACTED FOR THE LATEST REVISION.</small>		DWN 23AUG01 K. TANAKA CHK K. KODAIRA 23AUG01 APVD K. KODAIRA 23AUG01	tyco Electronics Tyco Electronics AMP K.K. Kawasaki, Japan
DIMENSIONS: mm	TOLERANCES UNLESS OTHERWISE SPECIFIED: 0 PLC ±0.2 1 PLC ±0.2 2 PLC ±0.2 3 PLC ±0.2 4 PLC ±0.2 ANGLES ±2	PRODUCT SPEC APPLICATION SPEC	NAME SHIELD FINGER 1608 SIZE A3 CAGE CODE 00779 DRAWING NO. C-1565322
MATERIAL	FINISH	WEIGHT	RESTRICTED TO
		CUSTOMER DRAWING	SCALE: 20:1 SHEET 2 OF 2 REV C

AMP 1470-19 REV 31MAR2000