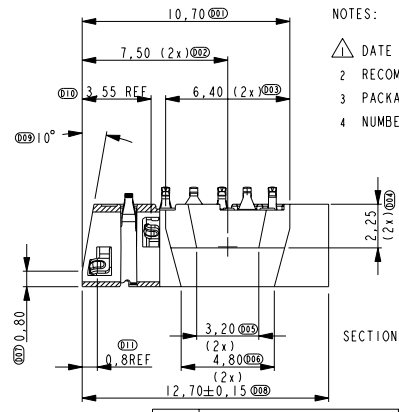
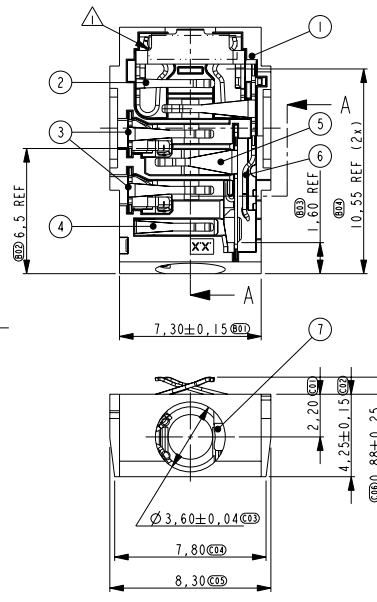
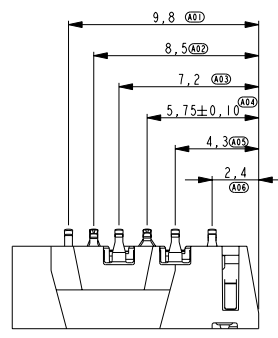


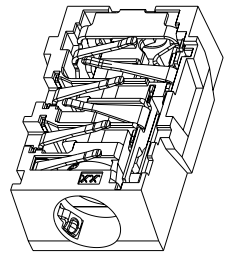
THIS DRAWING IS UNPUBLISHED. RELEASED FOR PUBLICATION
 © COPYRIGHT - BY - ALL RIGHTS RESERVED.

**PRELIMINARY PART
 NOT RELEASED FOR PRODUCTION**
**THIS PRODUCT HAS NOT COMPLETED
 VALIDATION TESTING**

LOC	DIST	REVISIONS			
P	LTR	DESCRIPTION	DATE	DWN	APVD
	I	FIRST ISSUE	21APR2011	JvH	DH



NOTES:
 △ DATE CODE YYMMDD, SHIFT CODE M, PRODUCTION LINE ##
 2 RECOMMENDED PWB LAYOUT SEE SHEET 2
 3 PACKAGING IN EIA 481-D SEE SHEET 3
 4 NUMBER OF PRODUCTS ON REEL/IN BOX SEE SHEET 3



ITEM NO.	DESCRIPTION	MATERIAL	FINISH
7	ACTUATOR	PA, 35% G.F.	
6	PLUG DETECTION CONTACT	Cu Alloy	1.3 µm Ni, flashgold over 0.3 µm PdNi selectively
5	SWITCH CONTACT	Cu Alloy	1.3 µm Ni, flashgold over 0.3 µm PdNi selectively
4	GROUND CONTACT	Cu Alloy	1.3 µm Ni, flashgold over 0.5 µm PdNi selectively
3	RIGHT/MIC CONTACT	Cu Alloy	1.3 µm Ni, flashgold over 0.3 µm PdNi selectively
2	LEFT CONTACT	Cu Alloy	2.0 µm Ni, flashgold over 0.3 µm PdNi selectively
1	HOUSING	PA, 35% G.F.	

THIS DRAWING IS A CONTROLLED DOCUMENT.

DIMENSIONS:	TOLERANCES UNLESS OTHERWISE SPECIFIED:
mm	
0 PLC	±
1 PLC	±0.1
2 PLC	±0.05
3 PLC	±0.025
4 PLC	±0.01
ANGLES	±2
MATERIAL	FINISH
-	-

DWN	21APR2011	ST TE Connectivity			
CHK	J. von Hock				
APVD	M. Gosselink				
	D. Halberstadt				
PRODUCT SPEC	108-19423	3.5mm AV connector, compressive, chamfered			
APPLICATION SPEC	-				
WEIGHT	-	SIZE	CAGE CODE	DRAWING NO	RESTRICTED TO
-	-	A3	00779	C-2173014	
CUSTOMER DRAWING	SCALE	SHEET	OF	REV	
	5	1	3		

4

3

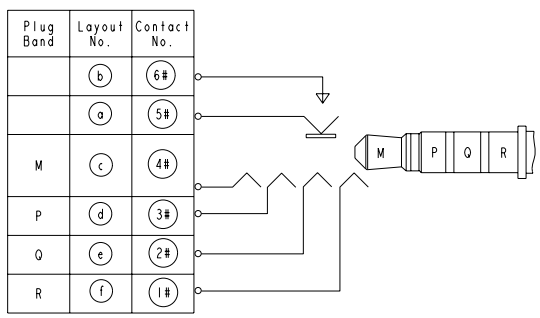
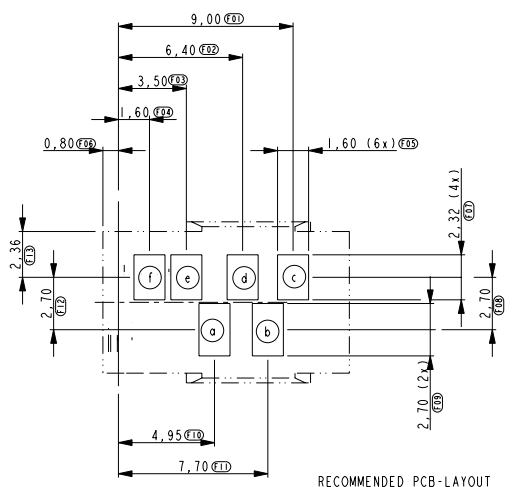
2

1

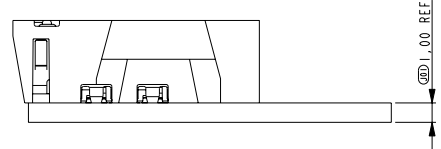
THIS DRAWING IS UNPUBLISHED. RELEASED FOR PUBLICATION
 © COPYRIGHT - BY - ALL RIGHTS RESERVED.

**PRELIMINARY PART
 NOT RELEASED FOR PRODUCTION**
**THIS PRODUCT HAS NOT COMPLETED
 VALIDATION TESTING**

LOC	DIST	REVISIONS				
P	LTR	DESCRIPTION	DATE	DWN	APVD	
-	-	SEE SHEET 1	-	-	-	



CIRCUIT DIAGRAM



THIS DRAWING IS A CONTROLLED DOCUMENT.		OWN J. van Hoesk	21APR2011	TE Connectivity 3.5mm AV connector, compressive, chamfered	RESTRICTED TO
DIMENSIONS: mm		CHK M. Gosselink	21APR2011		
TOLERANCES UNLESS OTHERWISE SPECIFIED:		APVD D. Halberstadt	21APR2011		
0 PLC ±- 1 PLC ±0.1 2 PLC ±0.05 3 PLC ±0.025 4 PLC ±0.01 ANGLES ±2		NAME			
MATERIAL		FINISH		PRODUCT SPEC 108-19423	SIZE A3
				APPLICATION SPEC	CAGE CODE 00779
				WEIGHT	DRAWING NO. C-2173014
				CUSTOMER DRAWING	SCALE 5
					SHEET 2
					OF 3
					REV 1

1470-19 (3/11)

4

3

2

1

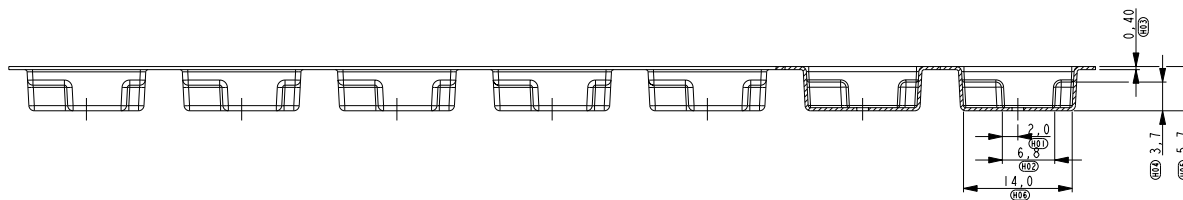
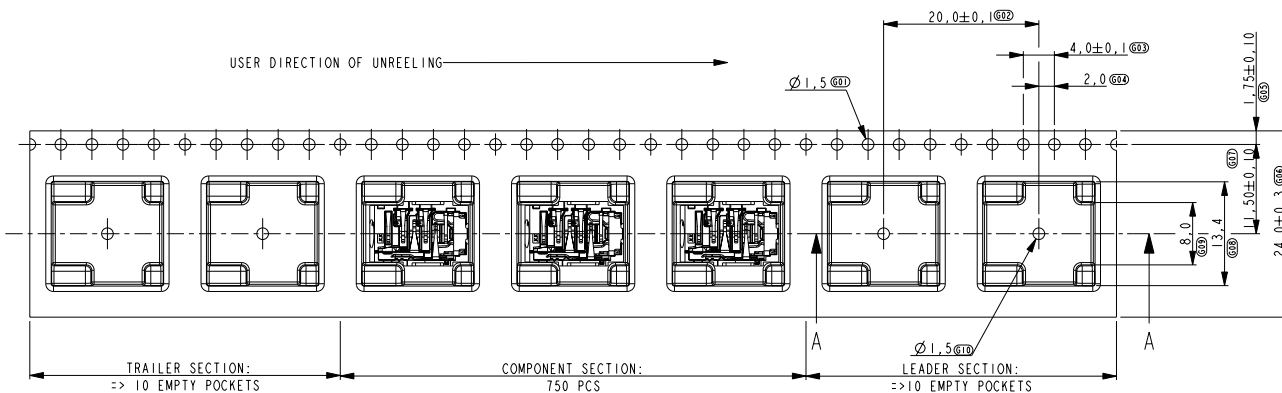
THIS DRAWING IS UNPUBLISHED. RELEASED FOR PUBLICATION
 © COPYRIGHT - BY - ALL RIGHTS RESERVED.

LOC		DIST		REVISIONS			
P	LTR	DESCRIPTION	DATE	DWN	APVD		
-	-	SEE SHEET 1	-	-	-		

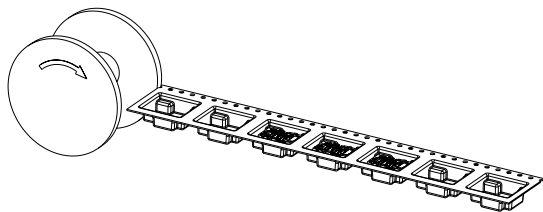
**PRELIMINARY PART
NOT RELEASED FOR PRODUCTION**

**THIS PRODUCT HAS NOT COMPLETED
VALIDATION TESTING**

PACKAGING QUANTITY		
PCS/REEL	REEL/BOX	PCS/BOX
750	8	6000



SECTION A-A



THIS DRAWING IS A CONTROLLED DOCUMENT.		DWN J. van Hoesk	21APR2011	TE Connectivity 3.5mm AV connector, compressive, chamfered	RESTRICTED TO
DIMENSIONS: mm		CHK M. Gosselink	21APR2011		
TOLERANCES UNLESS OTHERWISE SPECIFIED:		APVD D. Halberstadt	NAME		
0 PLC ±- 1 PLC ±0.1 2 PLC ±0.05 3 PLC ±0.025 4 PLC ±0.01 ANGLES ±2		PRODUCT SPEC 108-19423	SIZE A3		
MATERIAL -		APPLICATION SPEC -	CAGE CODE 00779	DRAWING NO C-2173014	
		WEIGHT -	CUSTOMER DRAWING	SCALE 5	SHEET 3
				OF 3	REV 1