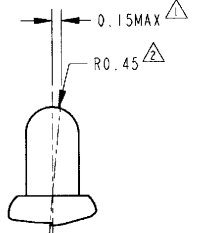
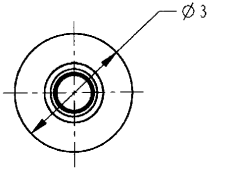


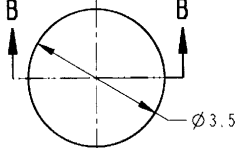
THIS DRAWING IS UNPUBLISHED. RELEASED FOR PUBLICATION .19
 © COPYRIGHT 19 BY AMP INCORPORATED. ALL RIGHTS RESERVED.

LOC		DIST		REVISIONS				
F	LTB	DESCRIPTION	ECN	DATE	ENR	APVD		
		0	RELEASED	FJ00-1595-98	15OCT'98	K.T	た	た

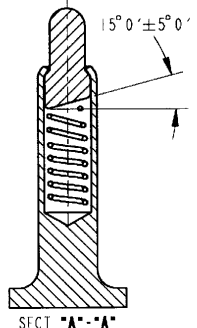
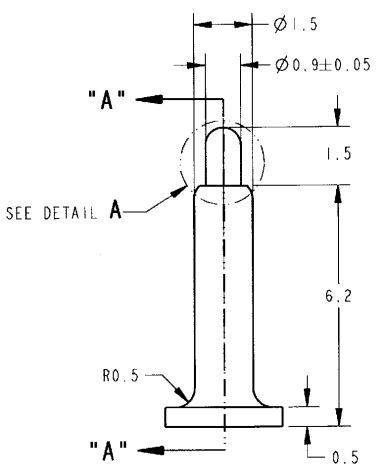
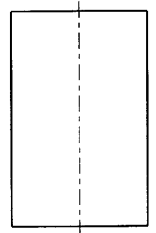


DETAIL A
SCALE 15:1

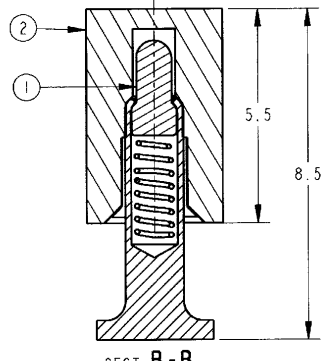
吸着キャップ装着図
PROBE PIN WITH CAP



吸着キャップ
CAP



SECT "A"- "A"



SECT B-B

接圧: 1.127N±0.196N / 1mmストローク時
 フルストローク: 1.5mm
 プロード: 0.46N±0.147N
 NORMAL FORCE: 1.127N±0.196N / 1mm TRAVEL
 FULL STROKE: 1.5mm
 PRE-LOAD: 0.46N±0.147N

△SR形状であること
 △先端の半径は内径0.15以下であること
 3. 公差: ±0.1
 △NO FLAT SURFACE AT THE HEAD OF THE CONTACT PIN
 △TILT OF THE TOP SHOULD BE 0.15MAX ON ONE SIDE
 3. TOLERANCES UNLESS OTHERWISE SPECIFIED: ±0.1

-1: 本図
 -1: AS SHOWN
 本製品はエンプラス対応品である。(図面 2 OF 2 参照)
 THIS PRODUCT IS APPLIED FOR EMBOSS TAPING.
 (SEE SHEET 2 OF 2)

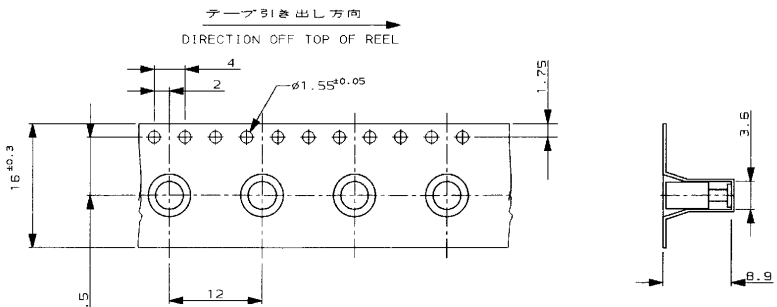
ITEM	DISCRIPTION	MATERIAL
②	CAP	6T-NYLON
①	PROBE PIN	BRASS CONT. PIN: Ni1.4µmMIN, Au1.0~1.7µm TUBE: Ni1.4µmMIN, Au0.1~0.5µm (多孔処理品 POROSITY SEALING)

DIMENSIONS: UNIT: mm		TOLERANCES UNLESS OTHERWISE SPECIFIED: 0 PLC ± 1 PLC ± 2 PLC ± 3 PLC ± 4 PLC ± ANGLES ±		DWG: K. TANAKA 15-0ct-98 CHK: 20-OCT-98 APVD: 20-OCT-98 NAME: S. Tanaka C/N: S. Tanaka		AMP AMP (JAPAN), LTD. Kawasaki, Japan	
MATERIAL SPEC: SEE TABLE		FINISH: SEE TABLE		PRODUCT SPEC: 108-5622 APPLICATION SPEC: 114-5265 WEIGHT: 0.165gf/ea.		SIZE: A3 CAGE CODE: 00779 DRAWING NO: C=900823	
CUSTOMER DRAWING				SCALE: 10:1		SHEET: 1 OF 2 REV: 0	

AMP 1470-19 REV 09MAY94

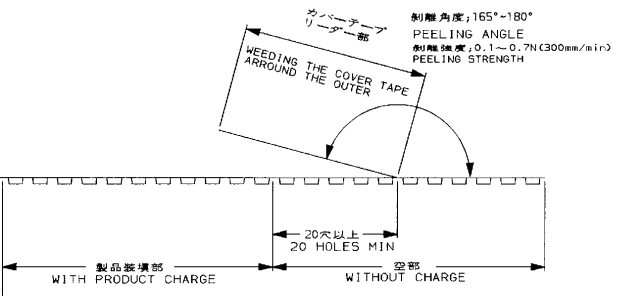
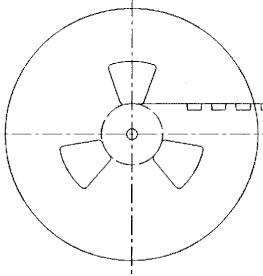
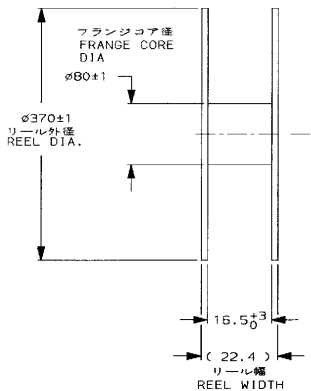
THIS DRAWING IS UNPUBLISHED. RELEASED FOR PUBLICATION 1998.
 (C) COPYRIGHT 1998 BY AMP INCORPORATED. ALL RIGHTS RESERVED.

REVISIONS					
P	LTR	DESCRIPTION	ECN	DATE	DWN APVD
0		RELEASED	FJ00-1595-98	15OCT'98	KT K.K.



-1: 本図
 -1: AS SHOWN

エンボステープ包装図
 ENBOSS TAPING



製品巻端部 WITH PRODUCT CHARGE
 空部 WITHOUT CHARGE
 包装数量: 750EA/リール
 QUANTITY PER PACKING: 750EA/REEL

DIMENSIONS: 単位: mm 		TOLERANCES UNLESS OTHERWISE SPECIFIED 一般公差: 10% 精密公差: ±0.1 角度: ±0.5°		AMP 日本エーエムピー株式会社 Kawasaki, Japan	
MATERIAL: 材料:		FINISH: 仕上:		NAME: 名称: SPRING PROBE 1P-SMT FOR ANT	
CUSTOMER DRAWING		SIZE: A3 CAGE CODE: 00779 DRAWING NO.: 900823		RESTRICTED TO: -	
		SCALE: 1:1 SHEET: 2 OF 2 REV: 0			