

4

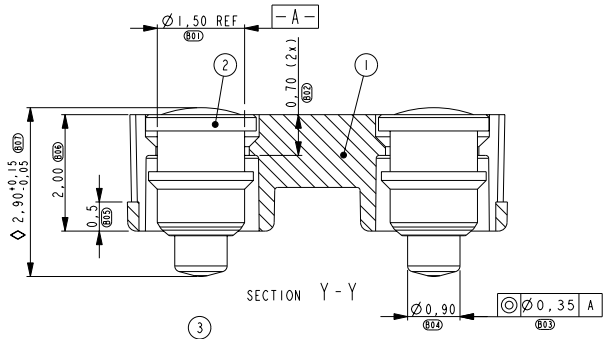
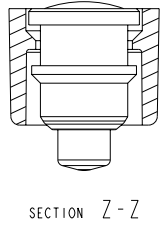
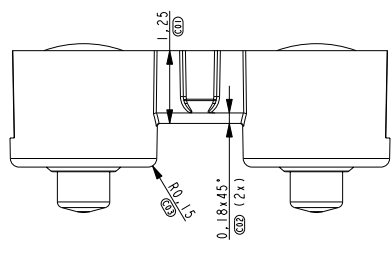
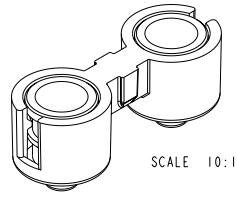
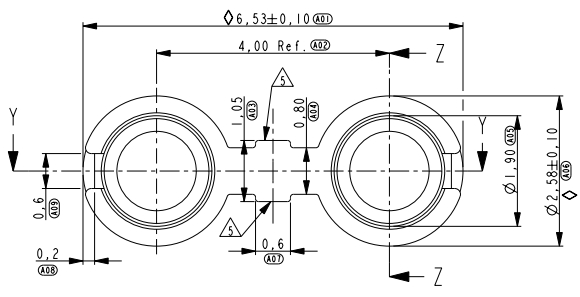
3

2

1

THIS DRAWING IS UNPUBLISHED. RELEASED FOR PUBLICATION 20  
 COPYRIGHT 20 BY - ALL RIGHTS RESERVED.

LOC		DIST		REVISIONS			
P	LTR	DESCRIPTION	DATE	DWN	APVD		
C	I	ECR-11-019365	21SEP2011	JvH	AL		



- NOTES:
- PN AS SHOWN: 2173140-1.
  - SHARP EDGES ON PLASTIC WILL BE BROKEN.
  - PACKAGING: BULK PACKAGING.
  - FOR PERFORMANCE REQUIREMENTS SEE PRODUCT SPECIFICATION 108-19426.
- △ GATE POSITION. MAX 0.10mm CUT OFF BURR.

	Working Height [mm]	Force [N]
Min.	2,25	1,6 MAX
Max.	2,7	0,3 MIN

ITEM No.	Qty.	DESCRIPTION	MATERIAL	FINISH
3	1	POGO PIN PLUNGER	C36000 or equal	0,3µm MIN. Au over MIN. 1,0µm Ni
2	1	POGO PIN BODY	C36000 or equal	0,3µm MIN. Au over MIN. 1,0µm Ni
1	1	HOUSING	PC	-

THIS DRAWING IS A CONTROLLED DOCUMENT.

DIMENSIONS: mm	TOLERANCES UNLESS OTHERWISE SPECIFIED:	0 PLC ±	1 PLC ±0,10	2 PLC ±0,05	3 PLC ±0,05	4 PLC ±	ANGLES ±	FINISH	
MATERIAL		FINISH		MATERIAL		FINISH		MATERIAL	

DWN	J. van Hoek	06MAY2011	 TE Connectivity <b>DUAL FLOATING POGO PIN ASSEMBLY</b>				
CHK	S. Zwartkruis	06MAY2011					
APVD	D. Halberstadt	06MAY2011					
PRODUCT SPEC	108-19426						
APPLICATION SPEC							
WEIGHT		SIZE	CAGE CODE	DRAWING NO	RESTRICTED TO		
		A3	00779	C-2173140			
CUSTOMER DRAWING		SCALE	1:5	SHEET	OF	REV	C