

4

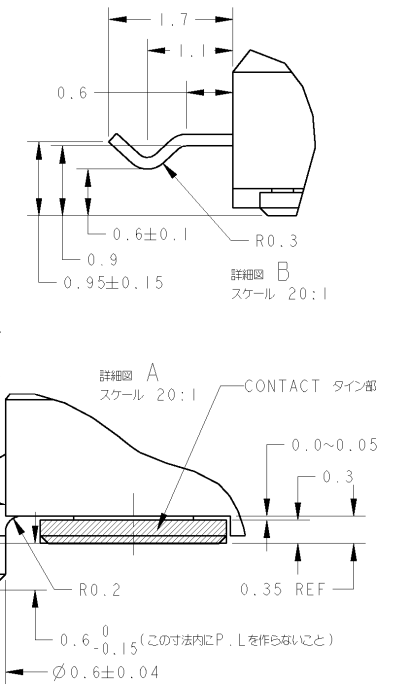
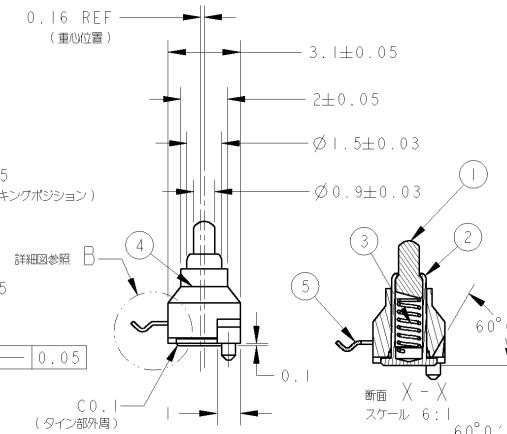
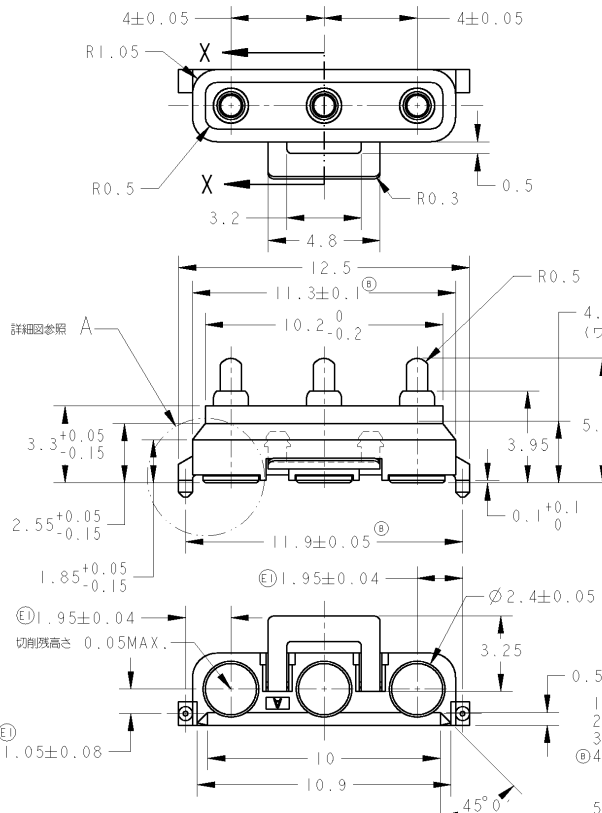
3

2

1

THIS DRAWING IS UNPUBLISHED. RELEASED FOR PUBLICATION 20
 © COPYRIGHT 20 BY TYCO ELECTRONICS CORPORATION. ALL RIGHTS RESERVED.

LOC	DIST	REVISIONS			
P	LTR	DESCRIPTION	DATE	DMN	APVD
EI		REVISED FJBO-0677-03	30 JUL 2003	C.O	K.K



- 1. 接圧: 1.08N±0.15N (1.0mm ストローク時)
- 2. フルストローク: 1.4mm
- 3. コンタクトピン先端傾き 0.1 MAX
- ④. メッキ仕様
 コンタクトピン: Ni下地2.5μmMIN., Auメッキ1.0μmMIN.
 チューブ: Ni下地1.4μmMIN., Au 0.1μm
- 5. 一般公差: 0.1

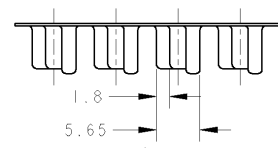
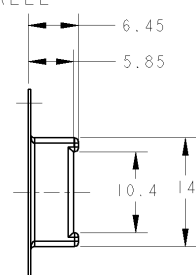
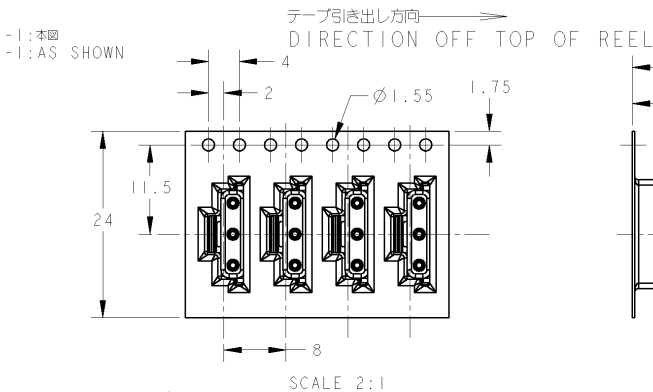
FINISH	MATERIAL	NAME	NO.
Ni PL	CAPPER ALLOY	CABLE CONTACT	⑤
-	6T NYLON	HOUSING	④
Au PL	SWP	SPRING	③
Au PL	BRASS	CONTACT TUBE	②
Au PL	BRASS	CONTACT PIN	①

DIMENSIONS:		TOLERANCES UNLESS OTHERWISE SPECIFIED:	
mm			
0 PLC	±0.1	0	±0.1
1 PLC	±0.1	1	±0.1
2 PLC	±0.1	2	±0.1
3 PLC	±0.1	3	±0.1
4 PLC	±0.1	4	±0.1
ANGLES	±0.1		
MATERIAL	-	FINISH	-

OWN	10APR2002	 Tyco Electronics AMP K.K. Kawasaki, Japan
CHK	K. TANAKA	
APVD	K. KODAIRA	
NAME	SPRING PROBE CONNECTOR 3POS-SMT, h=5.35mm	
PRODUCT SPEC	108-5844	
APPLICATION SPEC		
SIZE	A3	RESTRICTED TO
WEIGHT	0.28g (0.27g TYP)	
CUSTOMER DRAWING	SCALE: 6:1	SHEET 1 OF 2

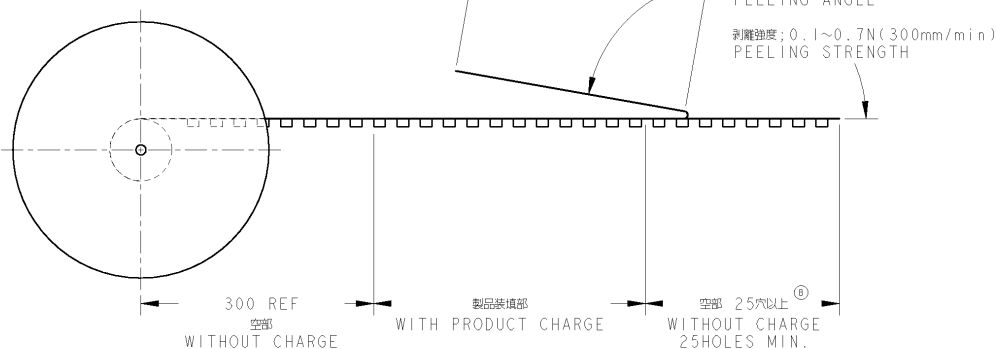
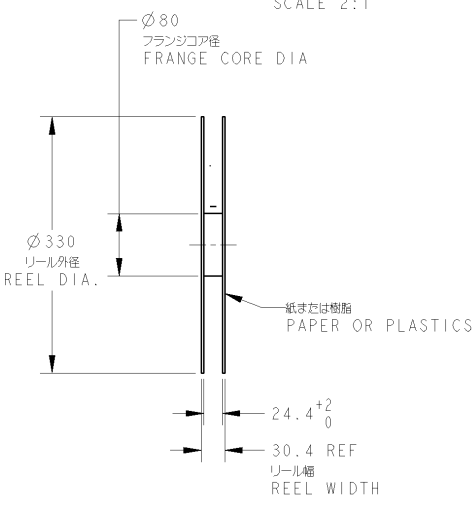
THIS DRAWING IS UNPUBLISHED. RELEASED FOR PUBLICATION
 © COPYRIGHT 20 2000 BY TYCO ELECTRONICS CORPORATION. ALL RIGHTS RESERVED.

LOC	DIST	REVISIONS			
P	LTR	DESCRIPTION	DATE	DWN	APVD
J	-	SEE SHEET 1 OF 2			



エンボスの寸法は内側を表示する
 抜きテープは3°とする
 DIMENSIONS OF CONTINUOUS TAPE SHOW
 INSIDE OF THE EACH POCKET
 DRAFT ANGLE: 3°

1000個/1リール
 1000EA/1REEL



DIMENSIONS: mm 		TOLERANCES UNLESS OTHERWISE SPECIFIED: 0 PLC ±0.2 1 PLC ±0.2 2 PLC ±0.2 3 PLC ±0.2 4 PLC ±0.2 ANGLES ±°		OWN SEE SHEET 1 OF 2 CHK - APVD - PRODUCT SPEC - APPLICATION SPEC - WEIGHT -	NAME Tyco Electronics AMP K.K. Kawasaki, Japan SIZE A3 CAGE CODE 00779 DRAWING NO C-1612493 RESTRICTED TO E1
MATERIAL -		FINISH -		CUSTOMER DRAWING SCALE SHEET 2 OF 2 REV E1	