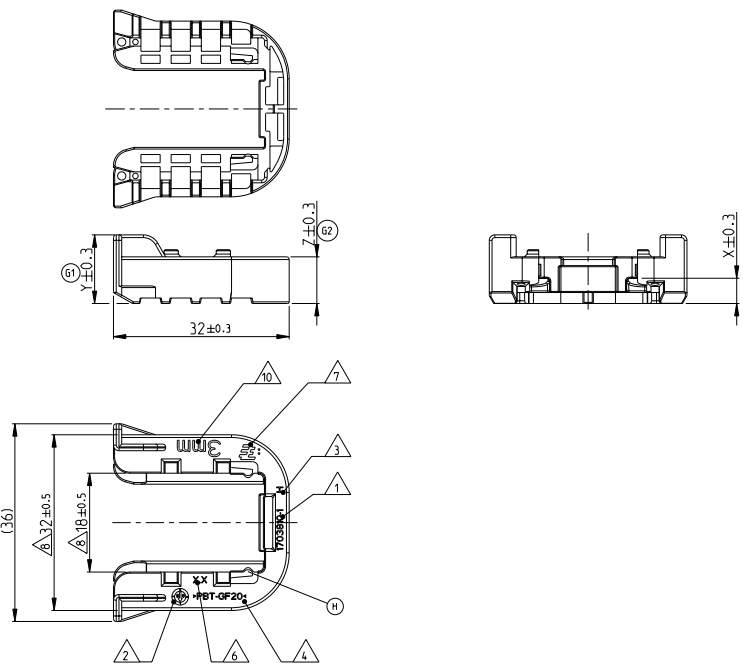


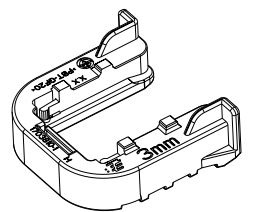
0-1703810-1 AS SHOWN
 0-1703810-1 wie gezeigt



LOC	DISP	REV	DESCRIPTION	DATE	BY	APPD
A1	-	0	DETAILS SEE PCN E-09-004636	09MAY2009	SJ	CE
		G1	DETAILS SEE PCN E-09-011905	09JAN2009	SJ	JG
		G2	DETAILS SEE PCN E-10-020852	14MAY2010	SB	CE
		H	DETAILS SEE PCN E-11-009921	24MAY2011	DB	JG

NOTES
 Bemerkungen

- 1 TE ORDER-NO.
TE Bestell-Nr.
- 2 PRODUCTION DATE
Produktionsdatum
- 3 LETTER-INSERT FOR THE REVISION STATUS OF THE MOULD
Schriftsatz fuer Aenderungszustand des Werkzeuges
- 4 MATERIAL MARKING ACCORDING TO VDA 260
Werkstoffkennzeichnung nach VDA 260
- 5 BULK PACKAGING IN CORRUGATED BOX
Schuetzfigel im Versandkarton
- 6 MOULD CAVITY MARKING
Nestmarkierung
- 7 TE LOGO
TE Logo
- 8 WARPAGE PERMITTED UP TO -1.5mm FROM NOMINAL SIZE
Verzug zulaessig bis -1.5mm vom Nennmass
- 9 SUITABLE FOR TAB HOUSING WITH FLANGE GROUP B
SEE PRODUCT GROUP DRAWING 1563709
Passend zu Flachsteckerhauesen mit Flansch der Gruppe B
siehe Produktgruppenzeichnung 1563709
- 10 MARKING FOR SUITABLE SHEET METAL THICKNESS (NOMINAL SIZE)
Kennzeichnung fuer passende Blechstaeke (Nennmass)



ITEM	REV.	SHEET METAL THICKNESS Blechdicke	DIM X	DIM Y	DIM Z	MATERIAL	COLOUR Farbe	DESCRIPTION Beschreibung
62	-	3.5 ± 0.1mm	4.1	12.0	8.0	PBT-GF20/V-0	GREY grau	Slide, FOR 3.5mm SHEET METAL Schieber, fuer Blech 3.5mm Dicke
		1.5 ± 0.1mm				PBT-GF20/V-0		Slide, FOR 1.5mm SHEET METAL Schieber, fuer Blech 1.5mm Dicke
61	-	1.0 ± 0.1mm				PBT-GF20/V-0		Slide, FOR 1.0mm SHEET METAL Schieber, fuer Blech 1.0mm Dicke
		4.0 ± 0.1mm				PBT-GF20/V-0		Slide, FOR 4.0mm SHEET METAL Schieber, fuer Blech 4.0mm Dicke
		2.5 ± 0.1mm	5.1	13.0	9.0	PBT-GF20/V-0	RED rot	Slide, FOR 2.5mm SHEET METAL Schieber, fuer Blech 2.5mm Dicke
		3.0 ± 0.1mm	4.6	12.5	8.5	PBT-GF20/V-0	YELLOW gelb	Slide, FOR 3.0mm SHEET METAL Schieber, fuer Blech 3.0mm Dicke

THIS DRAWING IS A CONTROLLED DOCUMENT.
 DIMENSIONS:
 IN MILLIMETERS
 UNLESS OTHERWISE SPECIFIED

DATE: 09NOV2007
 BY: A. Kindan
 CHK: Grandzw
 APPD: Grandzw
 NAME: Eberwein
 PRODUCT SPEC: 100-54020
 APPLICATION SPEC: 114-18756
 MATERIAL: SEE TABLE
 WEIGHT: 4.6g

TE TE Connectivity

SLIDE, TAB HOUSING
 Schieber, Flachsteckerhauesae
 HDSCS - GROUP B

SIZE: A2
 CASE CODE: 00779
 DRAWING NO: 1703810
 SCALE: 2:1
 SHEET 1 OF 1