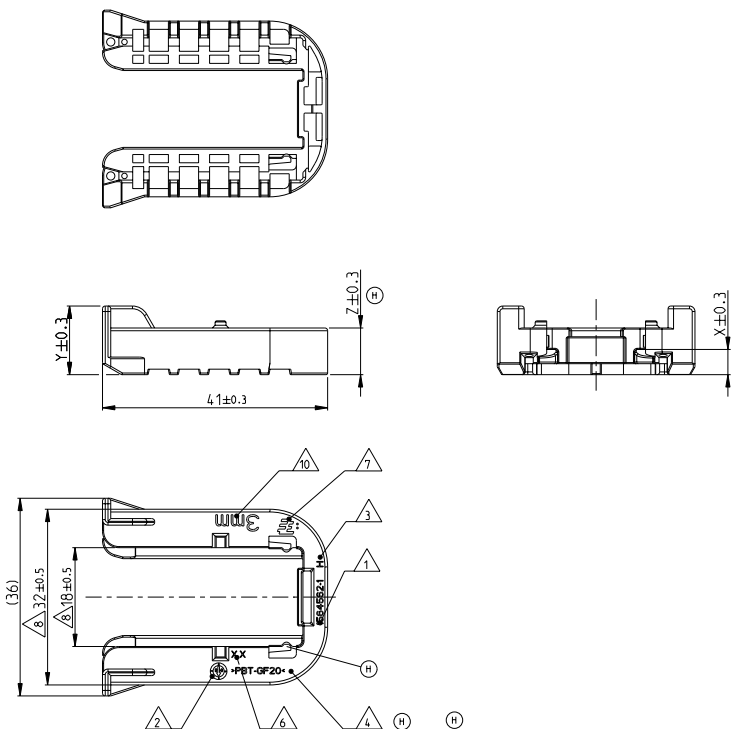


0-1564562-1 AS SHOWN  
 0-1564562-1 wie gezeigt

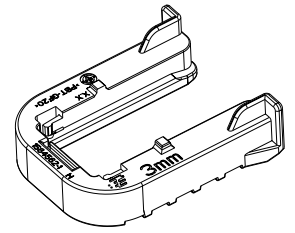


REV.	SHEET METAL THICKNESS Blechdicke	DIM X	DIM Y	DIM Z	MATERIAL	COLOUR Farbe	DESCRIPTION Beschreibung	ITEM
-	$3.5 \pm 0.3$ mm	1.1	12.0	0.0	PBT-GF20-V-0	TRO	Slide, FOR 3.5mm SHEET METAL Schieber fuer Blech 3.5mm Dicke	6
0-1564562-5	$1.5 \pm 0.1$ mm	6.1	14	10.0	PBT-GF20-V-0	GREY grau	Slide, FOR 1.5mm SHEET METAL Schieber fuer Blech 1.5mm Dicke	5
0-1564562-4	$1.0 \pm 0.1$ mm	6.6	14.5	10.5	PBT-GF20-V-0	NATURAL natur	Slide, FOR 1.0mm SHEET METAL Schieber fuer Blech 1.0mm Dicke	4
-	$4.0 \pm 0.3$ mm	-	-	-	PBT-GF20-V-0	-	Slide, FOR 4.0mm SHEET METAL Schieber fuer Blech 4.0mm Dicke	3
0-1564562-2	$2.5 \pm 0.1$ mm	5.1	13	9.0	PBT-GF20-V-0	RED rot	Slide, FOR 2.5mm SHEET METAL Schieber fuer Blech 2.5mm Dicke	2
0-1564562-1	$3.0 \pm 0.1$ mm	4.6	12.5	8.5	PBT-GF20-V-0	YELLOW gelb	Slide, FOR 3mm SHEET METAL Schieber fuer Blech 3mm Dicke	1

LOC	DIFF	REV	DESCRIPTION	DATE	BY	APPV
A1	-	F	LYA			
		G	DRAWING CREATED	20FEB2009	SB	CE
		H	DETAILS SEE PLN E-11-009921	24MAY2011	DB	JG

NOTES  
Bemerkungen

1. TE ORDER-NO.  
TE Bestell-Nr.
2. PRODUCTION DATE  
Produktionsdatum
3. LETTER-INSERT FOR THE REVISION STATUS OF THE MOULD  
Schriftsatz fuer Aenderungszustand des Werkzeuges
4. MATERIAL MARKING ACCORDING TO VDA 260  
Werkstoffkennzeichnung nach VDA 260
5. BULK PACKAGING IN CORRUGATED BOX  
Schuettpfand im Versandkarton
6. MOULD CAVITY MARKING  
Nestmarkierung
7. TE LOGO  
TE Logo
8. WARPAGE PERMITTED UP TO -1.5mm FROM NOMINAL SIZE  
Verzug zulassig bis -1.5mm vom Nennmass
9. SUITABLE FOR TAB HOUSING WITH FLANGE GROUP D  
SEE PRODUCT GROUP DRAWING 1563709  
Passend zu Flachsteckerhauesen mit Flansch der Gruppe D  
siehe Produktgruppenzeichnung 1563709
10. MARKING FOR SUITABLE SHEET METAL THICKNESS (NOMINAL SIZE)  
Kennzeichnung fuer passende Blechstaeke (Nennmass)



THIS DRAWING IS A CONTROLLED DOCUMENT. DWG No. 20FEB2009  
 Shilpa Bha...  
 DIMENSIONS: mm  
 TOLERANCES:  
 ANGLES: UNLESS OTHERWISE SPECIFIED

TE Connectivity  
 SLIDE, TAB HOUSING  
 Schieber, Flachsteckerhaeuse  
 HDSCS - GROUP D

SIZE: 6.2g (H) A2  
 SCALE: 1:1  
 SHEET 1 OF 1