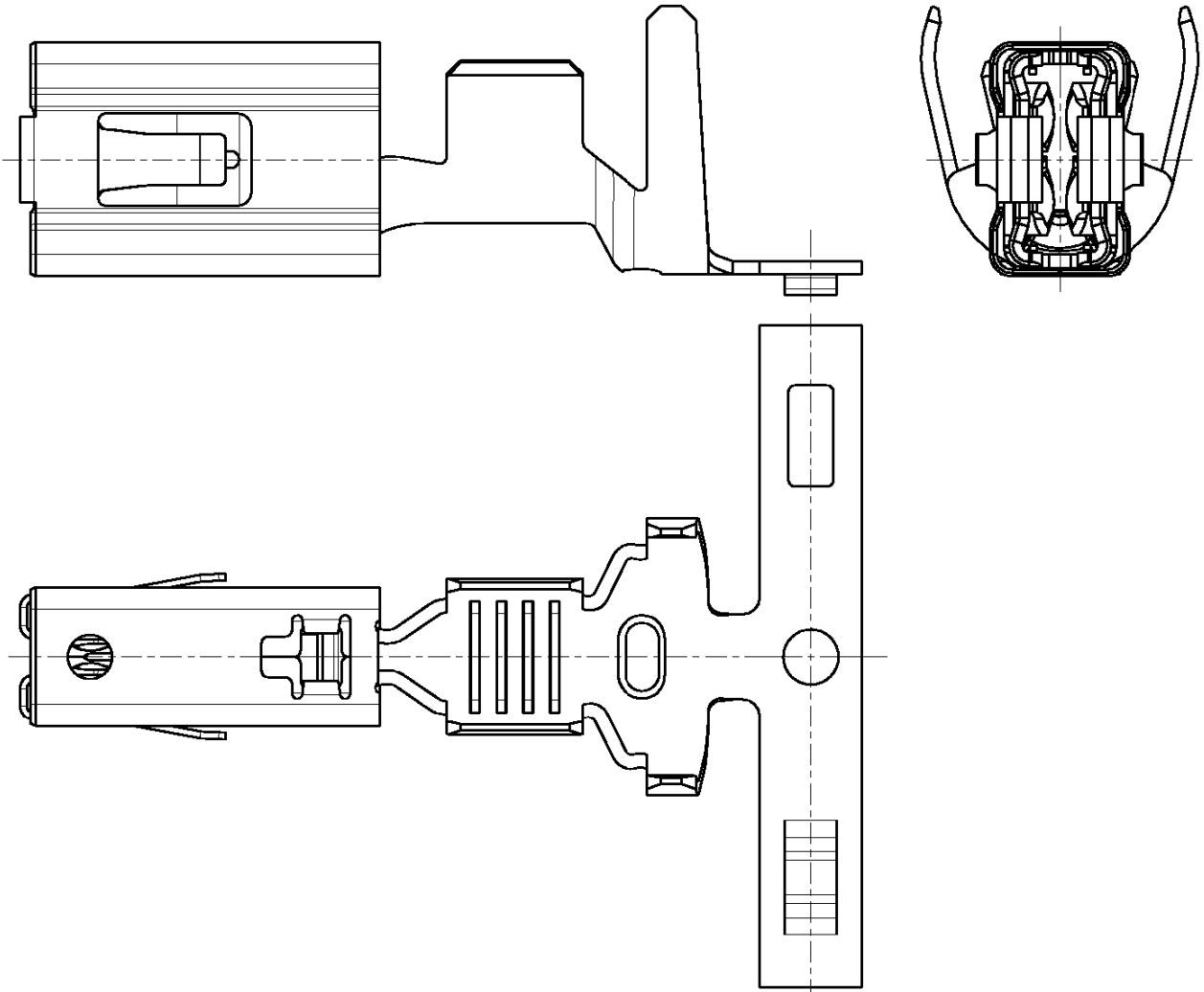


LOC	DIST	REVISIONS				
P	LTR	DESCRIPTION	DATE	DWN	APVD	
A1	-	A	NEW DRAWING	03DEC2001	R.M.	-



REFER TO PRODUCT GROUP DRAWING 1241438
FOR LATEST INFORMATION ON THE PART


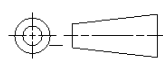
Für aktuelle Information zum Teil wird auf die
Produkt - Gruppenzeichnung 1241438 hingewiesen

2001

RELEASED FOR PUBLICATION

THIS DRAWING IS UNPUBLISHED.

BY TYCO ELECTRONICS CORPORATION. ALL RIGHTS RESERVED.
© COPYRIGHT 2001

DIMENSIONS: mm		DWN R. Meier	03DEC2001	MATERIAL -	FINISH -
TOLERANCES UNLESS OTHERWISE SPECIFIED:		CHK R. Schäfer	03DEC2001	 tyco Electronics AMP GmbH D - 64625 Bensheim	
0 PLC	±	APVD	-		
1 PLC	±	PRODUCT SPEC	-	NAME AMP MCP6.3/4.8K FLATCONTACT AMP MCP6.3/4.8K Flachkontakt	
2 PLC	±	APPLICATION SPEC	-	SIZE	CAGE CODE
3 PLC	±			A 4	00779
4 PLC	±	WEIGHT	-	DRAWING NO C=1241416	
ANGLES	±			RESTRICTED TO -	
		CUSTOMER DRAWING		SCALE	5:1
				SHEET	1 OF 1
				REV	A