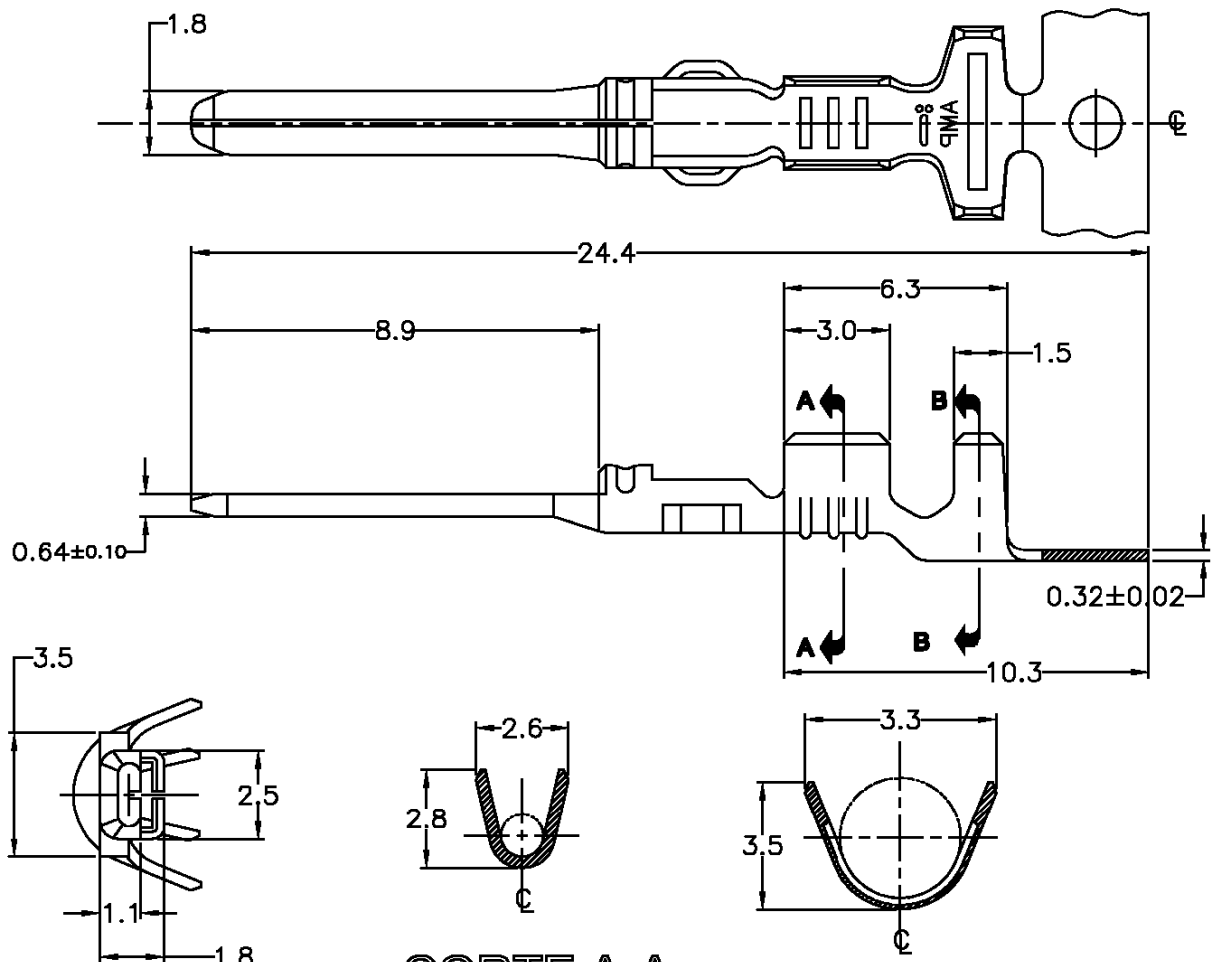


DO NOT SCALE	LOC AP	DIST —	REVISIONS				DATE	DWN	APVD
			P	LTR	DESCRIPTION				
			C		REDRAWN BY ECLB00-313/00	25JAN01	HL	NCL	

CAD
AutoCAD
DO NOT REVISE EXCEPT BY CAD



CORTE A-A
SECTION A-A

CORTE B-B
SECTION B-B

	PRÉ-ESTANHADO PRE TIN	BRONZE	881590-2
	PRÉ-ESTANHADO PRE TIN	LATÃO BRASS	881590-1
RAW MAT'L NO	FINISH	MATERIAL	PART NUMBER

RELEASED FOR PUBLICATION 1996.

THIS DRAWING IS UNPUBLISHED.

ALL RIGHTS RESERVED. BY AMP INCORPORATED.

© COPYRIGHT 19

DIMENSIONS: MM	DWN H.LIVERARO	25JAN01	MATERIAL VER TABELA/SEE TABLE	FINISH VER TABELA/SEE TABLE
	CHK N.C.LAPRESA	25JAN01	AMP AMP do Brasil Ltda. São Paulo, Brasil	
TOLERANCES UNLESS OTHERWISE SPECIFIED:	APVD L.G.DALTO	25JAN01		
0 PLC ± -	PRODUCT SPEC	—	SIZE	CAGE CODE
1 PLC ± 0.3	APPLICATION SPEC	—	A4	00779
2 PLC ±	WEIGHT	— / —	DRAWING NO C=881590	
3 PLC ± -	CUSTOMER DRAWING		SCALE	5:1
4 PLC ± -			SHEET	1 OF 1
ANGLES ± 1°			REV	C