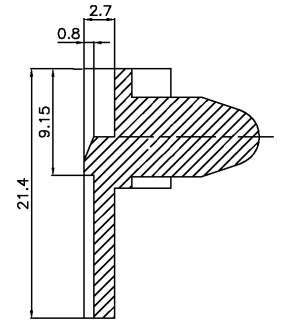
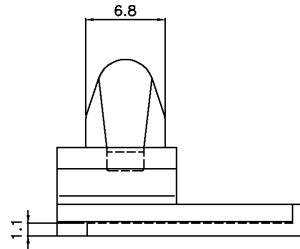
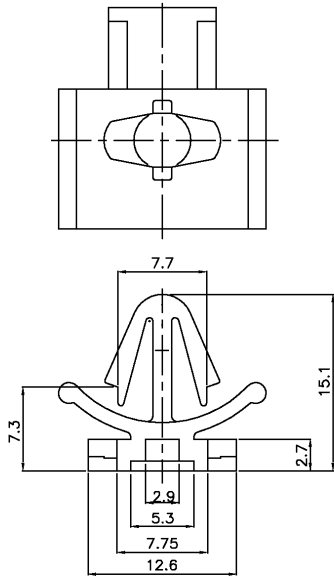


DRAWING MADE IN KOREAN PROJECTION

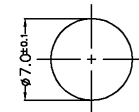
DIMENSIONS IN ~~INCH~~ . MM

CUSTOMER DRAWING



SECTION A-A

PANEL HOLE SIZE



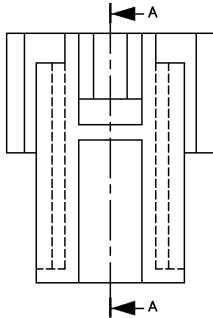
PANEL THICKNESS: 0.7-1.6mm

NOTES

▲ MATERIAL: NYLON66
▲ COLOR

BROWN	85229-2	Ⓐ
BLACK	85229-1	
COLOR	PART NO.	

PRINT DIST.



A1	REVISED PER ECO-11-005294	RK	HMR	13APR	11
LTR	REVISION RECORD	DR	CHK	DATE	

		STE TE Connectivity	
WIRE RANGE	INSULATION DIA	NAME	
---	---	CLIP HSG FOR 070 & EJ (7Ø PANEL)	
MATERIAL	FINISH/COLOR	TOLERANCES	SIZE LDC NUMBER
▲	▲	0XXK10 ±0.2 10XXK30 ±0.25 30XXK100±0.3 ANGLES ±3°	A3 DS 85229
DR	APP	SCALE	REV SHEET
CHK	REL	3/1	A1 1/1