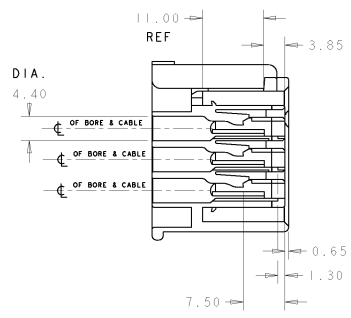
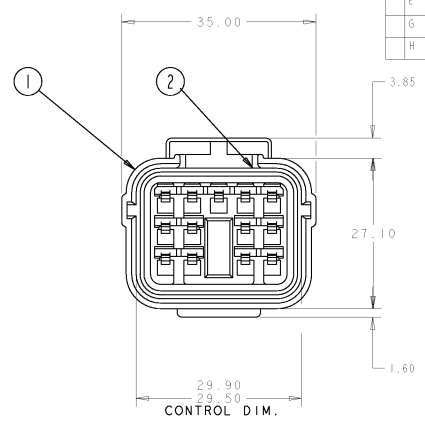
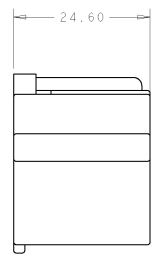
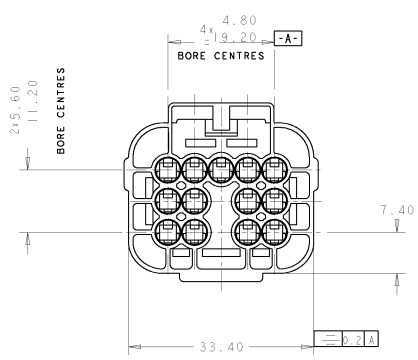


© COPYRIGHT 14 BY AMP INCORPORATED. ALL RIGHTS RESERVED.

REVOLUTIONS		DATE	BY	CHKD
J	ECR-06-005804	10/3/06	RS	MH
A	UPDATED	C5014	29/7/88	
B	ADDED -2 AND CONTROL DIM	C5359	29/9/89	
C	ADDED -3 (BLUES)	C5685	15/11/91	
D	PER SEAL MOD.	EB00-0241-94	9/5/94	
E	ADDED 1-344263-1,-2	EB00-0002-95	4/1/95	
G	REVISED 1-344263-1,-2	EB00-0575-97	05/11/97	
H	ADDED -4 (RED)	EB00 0323 02	25.9.02	JM BB



NOTE FOR DASH VARIANTS SEE SHEET TWO

SCRAP VIEW (SEAL NOT SHOWN)

THIS DRAWING IS A CONTROLLED DOCUMENT FOR AMP INCORPORATED. IT IS SUBJECT TO CHANGE AND THE CONTROLLING ENGINEER HAS THE AUTHORITY TO AMEND OR SUSPEND FOR THE LATEST PROVIDED.		REV. D.S. 4/11/87	AMP AMP of Great Britain Ltd. Slonmore, Middlesex, NAT. ARS.
DIMENSIONS IN m.m.		REV. B.J. -	
THIRD ANGLE PROJECTION	TOLERANCES UNLESS OTHERWISE SPECIFIED LINEAR: ±0.5 ANGULAR: ±1°	PRODUCT SPEC -	13 WAY REC. HSG. ASSY. ECONOSEAL 3 LOW CURRENT
MATERIAL -	FINISH -	APPLICATION SPEC -	SCALE 2:1
CUSTOMER DRAWING		WEIGHT -	DRAWING NO. C344263
		SIZE CASE CODE A2 00779	SHEET 1 OF 2 REV J

4

3


2

1

(C) COPYRIGHT 14 BY AMP INCORPORATED. ALL RIGHTS RESERVED.

REV. NO.	DATE	BY	CHKD.	DESCRIPTION
1				SEE SHEET ONE

ITEM NO.	MATERIAL	PART NO. OR COLOUR	DESCRIPTION	QTY. PER. ASSY.	ASSEMBLY PART NO.
1	NYLON 66	344262-1	13 WAY REC. HSG.	1	344263-1 (BLACK)
2	SILICONE RUBBER	ORANGE	PERIPHERAL SEAL	1	
1	NYLON 66	344262-2	13 WAY REC. HSG.	1	344263-2 (WHITE)
2	SILICONE RUBBER	ORANGE	PERIPHERAL SEAL	1	
1	NYLON 66	344262-3	13 WAY REC. HSG.	1	344263-3 (BLUE)
2	SILICONE RUBBER	ORANGE	PERIPHERAL SEAL	1	
1	NYLON 66	344262-4	13 WAY REC. HSG.	1	344263-4 (RED)
2	SILICONE RUBBER	ORANGE	PERIPHERAL SEAL	1	
1	NYLON 66	344262-1	13 WAY REC. HSG.	1	1-344263-1 (BLACK)
2	SILICONE RUBBER	LIGHT BLUE	PERIPHERAL SEAL	1	
1	NYLON 66	344262-2	13 WAY REC. HSG.	1	1-344263-2 (WHITE)
2	SILICONE RUBBER	LIGHT BLUE	PERIPHERAL SEAL	1	
1	NYLON 66	344262-3	13 WAY REC. HSG.	1	1-344263-3 (BLUE)
2	SILICONE RUBBER	LIGHT BLUE	PERIPHERAL SEAL	1	

<small>THIS DRAWING IS A CONTROLLED DOCUMENT FOR AMP INCORPORATED. IT IS SUBJECT TO CHANGE AND THE CONTROLLING ENGINEERING ORGANIZATION SHALL BE CONTACTED FOR THE LATEST REVISION.</small>		AMP AMP of Great Britain Ltd. Stammore, Middlesex, HAT ARS.	
DIMENSIONS IN m, mm  THIRD ANGLE PROJECTION	TOLERANCES UNLESS OTHERWISE SPECIFIED LINEAR: - ±0.5 ANGULAR: - ±1°	DWG NO. - - PRODUCT SPEC. - - APPLICATION SPEC. - - WEIGHT - - FINISH - - CUSTOMER DRAWING	SIZE A2 CASE CODE 00779 DRAWING NO. C344263 SCALE SHEET 2 OF 2 REV J

AMP 1471-9 REV 0004104