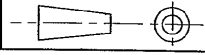


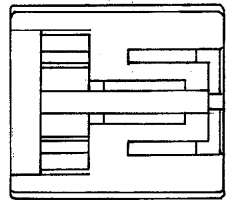
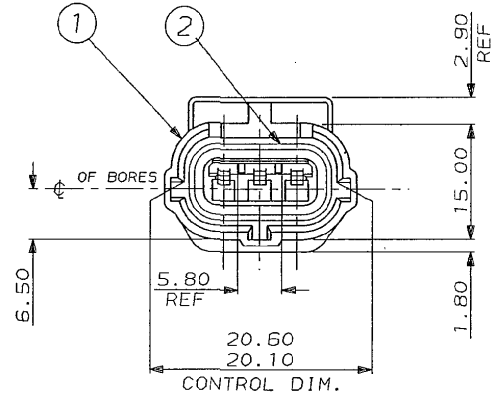
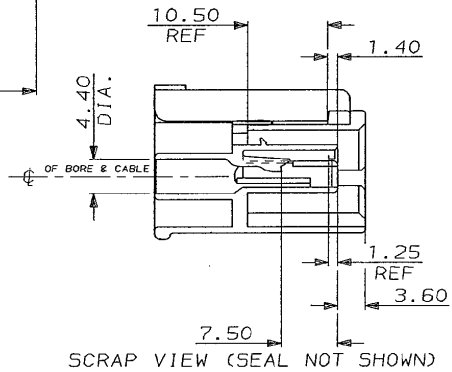
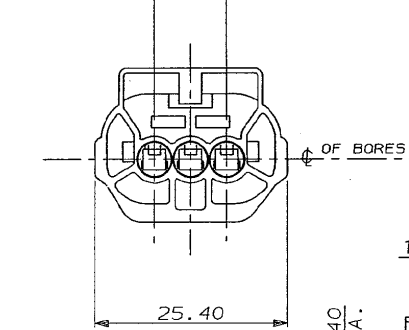
C.A.D. FILE CODE
5. C344273

DO NOT SCALE

DIMENSIONS IN MM.



2 x 4.80
= 9.60
BORE CENTRES



SCRAP VIEW

ITEM No.	COLOUR	MATERIAL	PART No.	DESCRIPTION	QTY. PER ASSY.	ASSEMBLY PART No.
2	GREY	NITRILE RUBBER		PERIPHERAL SEAL	1	1-344273-4 (WHITE)
1	WHITE	NYLON 66	344272-4	3 WAY REC. HSG.	1	1-344273-3 (BLUE)
2	GREY	NITRILE RUBBER		PERIPHERAL SEAL	1	1-344273-2 (RED)
1	RED	NYLON 66	344272-2	3 WAY REC. HSG.	1	1-344273-1 (BLACK)
2	GREY	NITRILE RUBBER		PERIPHERAL SEAL	1	344273-4 (WHITE)
1	BLACK	NYLON 66	344272-1	3 WAY REC. HSG.	1	344273-3 (BLUE)
2	ORANGE	SILICONE RUBBER		PERIPHERAL SEAL	1	344273-2 (RED)
1	WHITE	NYLON 66	344272-4	3 WAY REC. HSG.	1	344273-1 (BLACK)
2	ORANGE	SILICONE RUBBER		PERIPHERAL SEAL	1	
1	BLUE	NYLON 66	344272-3	3 WAY REC. HSG.	1	
2	ORANGE	SILICONE RUBBER		PERIPHERAL SEAL	1	
1	RED	NYLON 66	344272-2	3 WAY REC. HSG.	1	
2	ORANGE	SILICONE RUBBER		PERIPHERAL SEAL	1	
1	BLACK	NYLON 66	344272-1	3 WAY REC. HSG.	1	

CUSTOMER DRG.
FOR REFERENCE ONLY

TOLERANCES UNLESS OTHERWISE STATED :		DR. R. S.	5.11.87
DEC ± 0.5	ANGLES ± 1°	CH. R.R.	APP. B.J.
NAME		STE TE Connectivity	
3 WAY REC. HSG. ASSY. ECONOSEAL 3 LOW CURRENT			
SCALE	LOC	SIZE	DWG. No.
2/1	E	A3	C344273
REV	MODIFICATION	REV	SHEET
K1		K1	1/1

REVISED PER ECO-11-005234	08APR11
DATE	