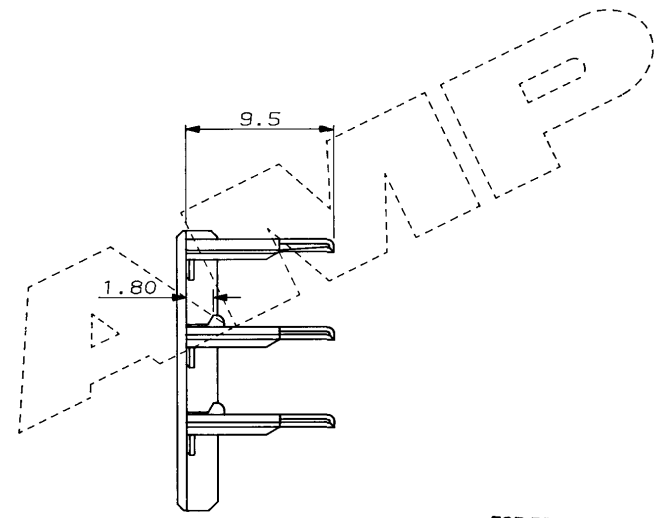
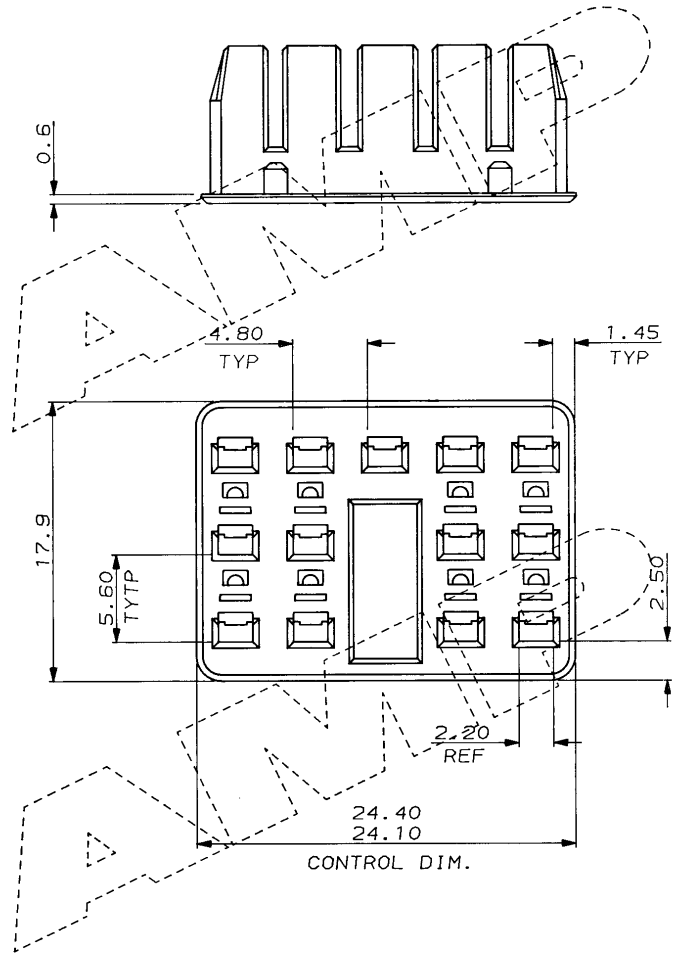


C.A.D. FILE CODE
S.C344264.B

DO NOT SCALE DIMENSIONS IN MM.



FOR REFERENCE ONLY
WILL NOT BE UP-DATED

YELLOW		NYLON 6.6	344264-1
FINISH		MATERIAL	PART NUMBER
CUSTOMER DWG FOR REFERENCE ONLY		©COPYRIGHT 1987 BY AMP OF GREAT BRITAIN LTD. ALL INTERNATIONAL RIGHTS RESERVED. ALL PRODUCTS MAY BE COVERED BY BRITISH AND FOREIGN PATENTS AND/OR PATENTS PENDING.	RELEASED FOR PUBLICATION 06 NOV 1987
-	-	TOLERANCES UNLESS OTHERWISE STATED :	DR. R. S. 6.11.87
-	-	DEC ± 0.5	CH. R. J. S. APP. B. J.
-	-	ANGLES ± 1°	AMP of Great Britain Ltd. TERMINAL HOUSE STANMORE MIDDXX.
B	UPDATED	CS241 15.6.88	NAME A/BACKOUT FOR 13 WAY REC. HSG. ECONOSEAL 3 LOW CURRENT
A	UPDATED	CS014 2.8.88	SCALE LOC SIZE DWG.No.
Q	REL. FOR PRD.	C4898 17.3.88	4/1 E A3 C344264
REV	APPROVED	ECN DATE	REV SHEET B 1/1

ORMAT 22/05/85