

4

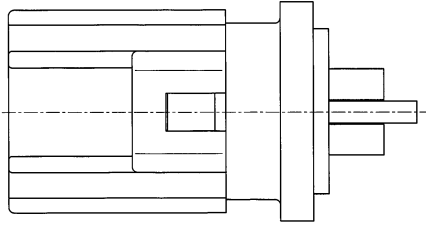
3

2

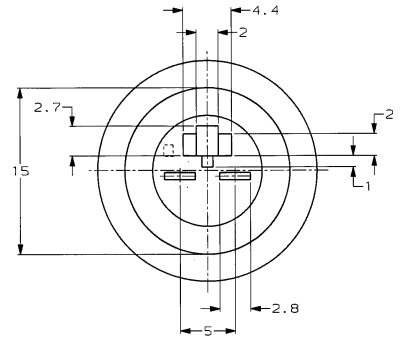
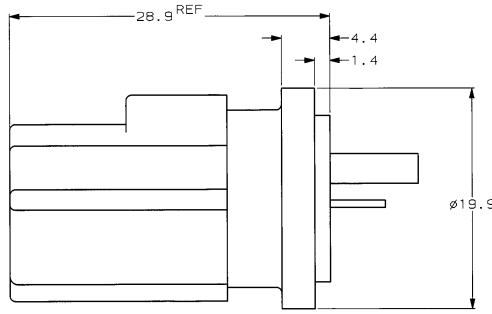
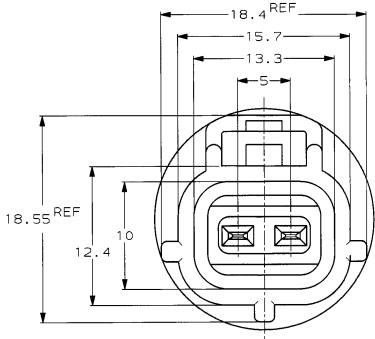
1

THIS DRAWING IS UNPUBLISHED. RELEASED FOR PUBLICATION .19  
 (C) COPYRIGHT 19 BY AMP INCORPORATED. ALL RIGHTS RESERVED.

REVISEMENTS		ECN	DATE	BY	APVD
P	LTR	DESCRIPTION			
0		RELEASED	FJ00-1214-99	13JUL99	TS KB



-2;    
 -2; AS SHOWN



- 1. 嵌合相手型番: 178390
- 1. MATING PLUG HOUSING PART NUMBER: 178390

THIS DRAWING IS UNPUBLISHED. RELEASED FOR PUBLICATION .19 (C) COPYRIGHT 19 BY AMP INCORPORATED. ALL RIGHTS RESERVED.		T. SHINOHARA 13JUL99 K. BETSUJI 13JUL99		FIRE RATING 防火電線用器具		INSULATION DIA 絶縁径	
DIRECTION: 方向: 無		TOLERANCES UNLESS OTHERWISE SPECIFIED: 寸法公差: 無 穴: ±0.2 溝: ±0.25 角度: ±3°		PRODUCT SPEC 製品仕様: 108-5355		AMP Kawasaki, Japan	
MATERIAL: HSG: PBT TAB: BRASS		FINISH: 仕上げ: TAB+PRE-TIN		INSTRUCTION SHEET 取扱説明書: 411-5590		070 SERIES EJ-11 FOR SENSOR 2POSITION CAP HOUSING ASSEMBLY B-TYPE	
		HEIGHT: 高さ: 6.65g		CUSTOMER DRAWING 顧客図面		SHEET CODE DRAWING NO 図面番号: A2 00779 © 174365	
				TOTAL SHEETS 総枚数: 4, 1		SHEET OF REV 枚数 1 1 0	

参考図面