

4

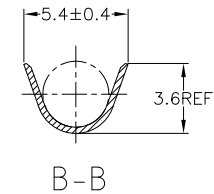
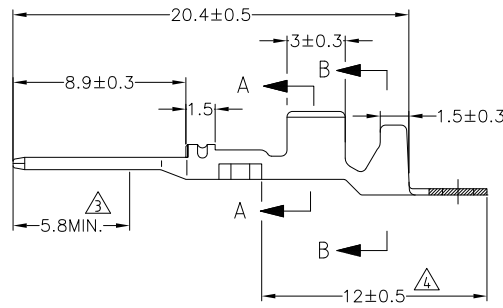
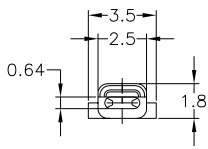
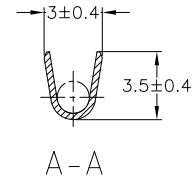
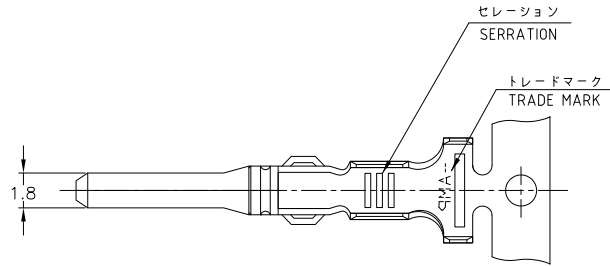
3

2

1

THIS DRAWING IS UNPUBLISHED. RELEASED FOR PUBLICATION
 © COPYRIGHT - By - ALL RIGHTS RESERVED.

LOC	DIST	REVISIONS			
P	LTR	DESCRIPTION	DATE	DWN	APVD
E2		REVISED PER ECO-11-005140	28MAR11	RK	HMR



- 1. 嵌合相手端子型番: 171662
- 2. パワ状端子型番: 173706

- 1. RECEPTACLE CONTACT PN: 171662
- 2. L/P CONTACT PN: 173706

SELECTIVE GOLD 部分金めっき	SELECTIVE TIN 部分錫めっき	BRASS 黄銅	10.32 板厚 0.32	171661-5	3
SELECTIVE GOLD 部分金めっき		BRASS 黄銅	10.32 板厚 0.32	171661-2	2
PRE-TIN (0.76μm MIN.) 鍍めつき済		BRASS 黄銅	10.32 板厚 0.32	171661-1	1
FINISH 仕上		MATERIAL 材料		PN 型番	ITEM No. 項番

WIRE RANGE
積合電線断面積
0.5-1.25mm² (AWG #20-#16)

INSULATION DIA
絶縁外径
2-2.6

THIS DRAWING IS A CONTROLLED DOCUMENT.		DWN T. SHINOHARA 27JUN01	TE Connectivity		
DIMENSIONS: 単位: 種 mm		CHK K. BETSUI 27JUN01	ECONOSEAL J-MARKII CONNECTOR TAB CONTACT		
TOLERANCES UNLESS OTHERWISE SPECIFIED: 種公差		APVD K. BETSUI 27JUN01	NAME 名称		
0 PLC ± - 1 PLC ± - 2 PLC ± - 3 PLC ± - 4 PLC ± - ANGLES ± -		PRODUCT SPEC 製品規格	SIZE 寸法		
MATERIAL 材料		APPLICATION SPEC 取付適用規格	CAGE CODE A300779	DRAWING NO 番号 C=171661	RESTRICTED TO —
FINISH 仕上		WEIGHT 0.35 g	CUSTOMER DRAWING		
SEE TABLE 表参照		SCALE 尺度 5:1		SHEET 1 of 1	
SEE TABLE 表参照		REV E2			

一般公差 (GENERAL TOLERANCE)
10.00 ± 0.2
10.00 ± 0.25
10.00 ± 0.3
10.00 ± 0.3