

4

3

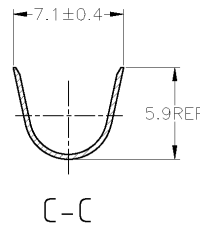
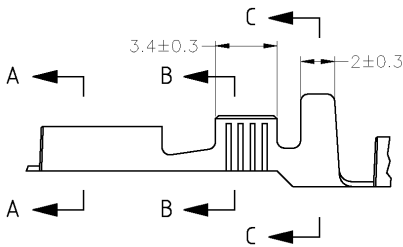
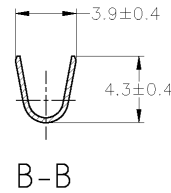
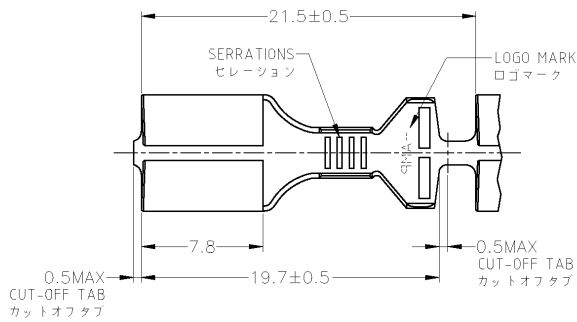
2

1

THIS DRAWING IS UNPUBLISHED. RELEASED FOR PUBLICATION
 © COPYRIGHT BY TYCO ELECTRONICS CORPORATION. ALL INTERNATIONAL RIGHTS RESERVED.

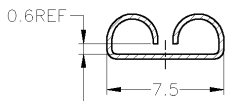
LOC		DIST		REVISIONS			
P	LTR	DESCRIPTION		DATE	DWN	APVD	
A1		REDRAWN W/CHANGE		ECR-10-014585	12JUL10	TS	KB

-1: AS SHOWN
 -1: 本図



1. MATING PART NUMBER: 171633
 △ STRESS RELIEVING
 FINISH IS SUBJECT TO CHANGE BY THE TYPE OF
 STRESS RELIEVING PROCESS
 INERT GAS FURNACE---MATTE
 ATMOSPHERIC FURNACE FOLLOWED BY ACID PICKLE---BRIGHT

1. 嵌合相手端子型番: 171633
 △ ストレス除去処理
 処理方により外観が変わります。
 不活性ガス加熱方式---無光沢
 大気加熱方式---光沢



THIS DIMENSION IS CONTROLLED
 WITH MATING FORCE
 この寸法は嵌合力によって
 規定する。

A-A

THIS DRAWING IS A CONTROLLED DOCUMENT.

DIMENSIONS:	mm	TOLERANCES UNLESS OTHERWISE SPECIFIED:	
0 PLC	±	-	
1 PLC	±	-	
2 PLC	±	-	
3 PLC	±	-	
4 PLC	±	-	
ANGLES	±	-	
MATERIAL:	BRASS 黄銅 0.32t	FINISH:	-

DWN	T. SHINOHARA	12JUL10
CHK	K. BETSUI	12JUL10
APVD	K. BETSUI	12JUL10
PRODUCT SPEC	-	-
APPLICATION SPEC	-	-
WEIGHT	114-5082	-
CUSTOMER DRAWING	-	-

WIRE RANGE 相当電線断面積	1.25~3mm ² (AWG #16~#12)	INSULATION DIA 絶縁外径	2.5~4.1mm
Tyco Electronics Corporation Kawasaki, Japan		NAME	
250 SERIES RECEPTACLE CONTACT FOR SEALED CONNECTOR			
SIZE	A3	CAGE CODE	00779
DRAWING NO	C-171632		
RESTRICTED TO	-		
SCALE	1:1	SHEET	1 OF 1
REV	A1		