

4

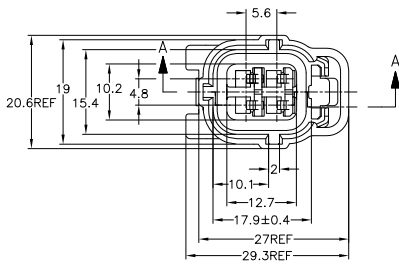
3

2

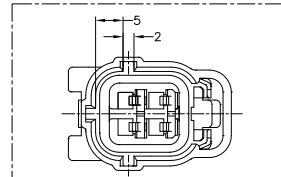
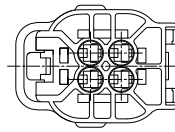
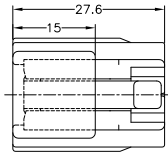
1

THIS DRAWING IS UNPUBLISHED. RELEASED FOR PUBLICATION
 © COPYRIGHT - By - ALL RIGHTS RESERVED.

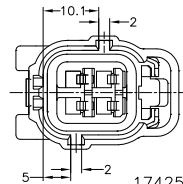
LOC	DIST	REVISIONS		DATE	BY	APP'D
J	-	F	LR	DESCRIPTION		
		F1		REVISED PER ECO-11-005140	28MAR11	RK HMR



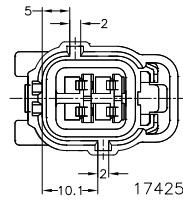
174257-2, 1-174257-2



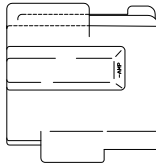
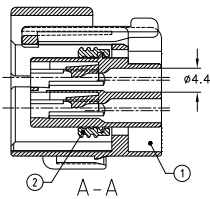
174257-1



174257-3



174257-5



1. 嵌合相手型番 : 174259, 173915
2. 本品はアダプタハウジング単体にシールリングがアッセンブリされたものである。
3. 本品はダブルロックプレート型番 174258を装着して使用する。

1. FOR CAP HOUSING PN 174259, 173915
2. THIS PART IS COMPOSED OF PLUG HOUSING AND SEAL RING
3. THIS PART MUST BE USED WITH DOUBLE LOCK PLATE PN 174258

SUPERSEDED BY 174257-NTC	MATERIAL / COLOR	PLUG HOUSING	PART NUMBER
	SILICON / BLACK	PBT / BROWN	174257-5
	SILICON / BLACK	PBT / BLACK	174257-4
	SILICON / BLACK	PBT / DARK GRAY	174257-3
	NBR / GRAY	PBT / BLACK	1-174257-2
	SILICON / BLACK	PBT / BLACK	174257-2
	SILICON / BLACK	PBT / GRAY	174257-1

THIS DRAWING IS A CONTROLLED DOCUMENT.		DM T. SHINOHARA OFFERD4	TE Connectivity	
DIMENSIONS 単位: mm		CHK K. BETSUI OFFERD4	4Pos. ECONOSEAL J-MARKII+ CONNECTOR PLUG HOUSING	
TOLERANCE UNLESS OTHERWISE SPECIFIED 公差 単位: mm		APP'D K. BETSUI OFFERD4	NAME 4Pos. ECONOSEAL J-MARKII+ CONNECTOR PLUG HOUSING	
0 ~ < 5 : ±0.2		PRODUCT SPEC BULK 03-5262	SIZE CASE CODE DRAWING NO. A2 00779 C=174257	
5 ~ < 10 : ±0.25		APPLICATION SPEC 14-5082	RESTRICTED TO	
10 ~ < 30 : ±0.3		WEIGHT 7.9g	SCALE 2:1 SHEET 1 of 2 REV F1	
30 ~ < 100 : ±0.3		MATERIAL SEE TABLE	CUSTOMER DRAWING	
ANGLE : ±3°		FINISH 注		

4

3

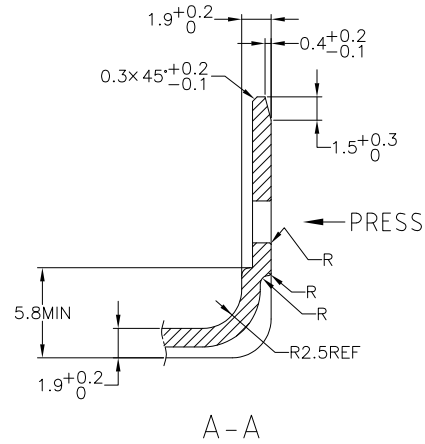
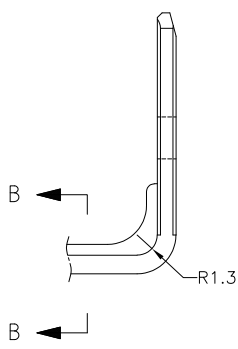
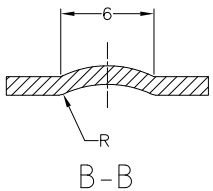
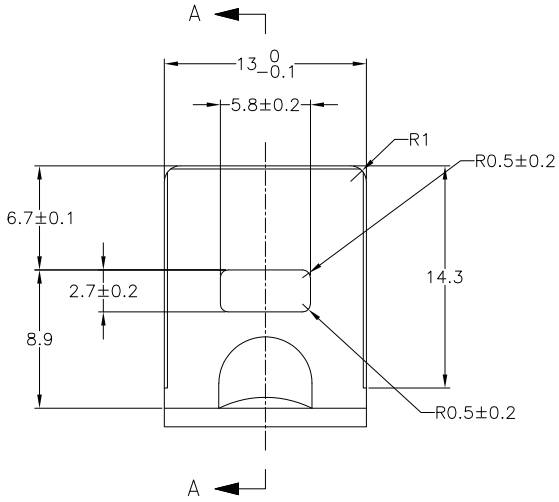
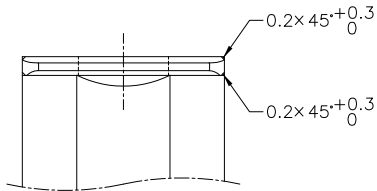
2

1

THIS DRAWING IS UNPUBLISHED. RELEASED FOR PUBLICATION
 © COPYRIGHT - By - ALL RIGHTS RESERVED.

LOC		DIST		REVISIONS			
J		-		変更			
P	LTR	DESCRIPTION		DATE	DWN	APVD	
-	-	SEE SHEET 1		-	-	-	

ブラケット推奨寸法図
 RECOMMENDED DIMENSION OF BRACKET



t = 1.2 ± 0.08

TOLERANCE UNLESS OTHERWISE SPECIFIED:
 一般公差

0 < x ≤ 10	: ±0.2
10 < x ≤ 30	: ±0.25
30 < x ≤ 100	: ±0.3
ANGLE 角度	: ±3°

THIS DRAWING IS A CONTROLLED DOCUMENT.

DIMENSIONS: 単位: 寸 mm	TOLERANCES UNLESS OTHERWISE SPECIFIED: 一般公差
0 PLC	± -
1 PLC	± -
2 PLC	± -
3 PLC	± -
4 PLC	± -
ANGLES	± -
MATERIAL 材料	FINISH 仕上

DWN	T. SHINOHARA	09FEB04
CHK	K. BETSUI	09FEB04
APVD	K. BETSUI	09FEB04
NAME 名称	4Pos. ECONOSEAL J-MARKII+ CONNECTOR PLUG HOUSING	
PRODUCT SPEC 製品規格		
APPLICATION SPEC 取付適用規格		
WEIGHT		
CUSTOMER DRAWING		

TE Connectivity		SIZE	CAGE CODE	DRAWING NO 番号	RESTRICTED TO
		A3	00779	174257	-
SCALE 尺度	4:1	SHEET	2 of 2	REV	F1