

4

3

2

1

THIS DRAWING IS UNPUBLISHED.

RELEASED FOR PUBLICATION

2009

© COPYRIGHT 2009

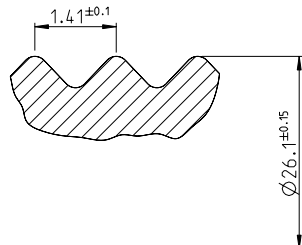
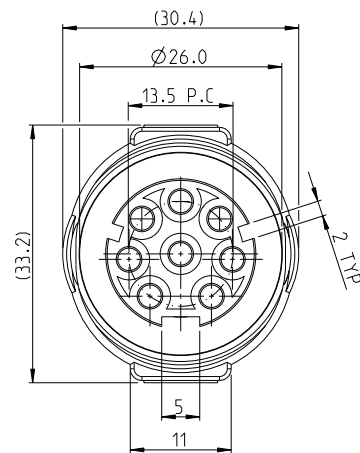
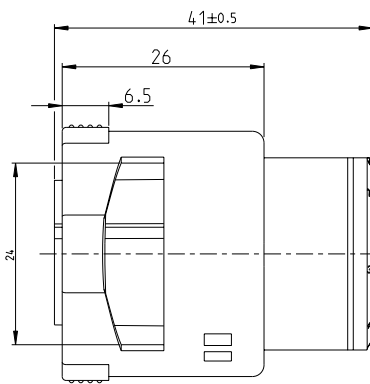
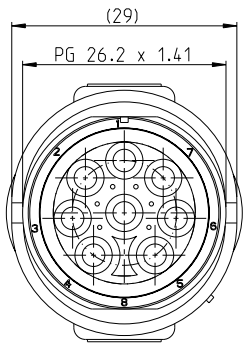
ALL RIGHTS RESERVED.

LOC
FM

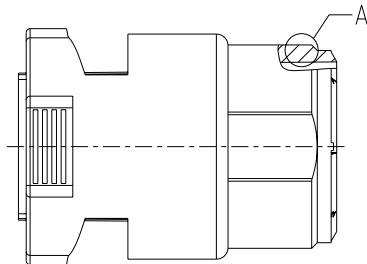
DIST
1

REVISIONS

P	LTR	DESCRIPTION	DATE	DWN	APVD
D1		ECR-11-018615	13SEP2011	GN	GB



DETAIL OF A
THREAD PROFILE ACC. TO DIN 40430



COLOR	MATERIAL	PART NUMBER
YELLOW	ZYTEL ST 801,	5-215273-4
RED	UV. RESISTANT	5-215273-3
BLACK	POLYAMIDE 6.6	5-215273-2
WHITE		5-215273-1
YELLOW	ZYTEL 101,	215273-4
RED	POLYAMIDE 6.6	215273-3
BLACK		215273-2
WHITE		215273-1
OBSOLETE		

THIS DRAWING IS A CONTROLLED DOCUMENT.

DIMENSIONS:	TOLERANCES UNLESS OTHERWISE SPECIFIED:
mm	
	0 PLC ±0.5
	1 PLC ±0.2
	2 PLC ±0.05
	3 PLC ±0.005
	4 PLC ±
	ANGLES 40° 30'
MATERIAL -	FINISH -

OWN	02SEP1985
CHK	R.VELDEN
APVD	02SEP1985
	R.VELDEN
	03OCT1985
	L.VAN SOEST
PRODUCT SPEC	
APPLICATION SPEC	
WEIGHT	

TE Connectivity		RESTRICTED TO
8 POS ECONOSEAL SERIES EH CONNECTOR PLUG HOUSING THREADED VERSION		
SIZE	CAGE CODE	DRAWING NO
A3	00779	C-215273
CUSTOMER DRAWING	SCALE	SHEET
	2:1	1 of 1
		REV D1