

4

3

2

1

THIS DRAWING IS UNPUBLISHED.

RELEASED FOR PUBLICATION

31OCT1983

© COPYRIGHT 1983

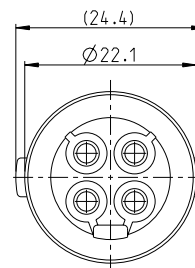
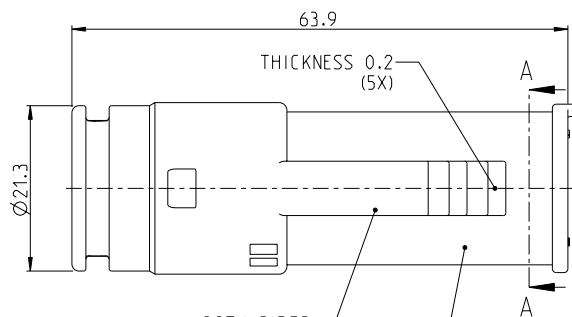
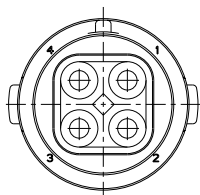
ALL RIGHTS RESERVED.

LOC  
FM

DIST  
1

REVISIONS

P	LTR	DESCRIPTION	DATE	DWN	APVD
F1		ECR-11-019262	25OCT2011	GN	GB

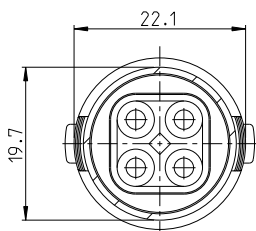


O-RING PN:188522-1 BOTH SIDES

CAP HOUSING PN: 167718

NOTES:

- "O"-RING IS LUBRICATED WITH A SOLUTION OF:
  - DODUCONTA B25 - 50%
  - ISOPROPYL ALCOL - 50%



SECTION A-A

FOR REFERENCE ONLY  
WILL NOT BE UPDATED

OBSOLETE

COLOR	MATERIAL	PART NUMBER
YELLOW	ZYTEL ST 801, U.V. RESISTANT, POLYAMIDE 6.6	5-167731-4
RED		5-167731-3
BLACK		5-167731-2
WHITE		5-167731-1
YELLOW	ZYTEL 101, POLYAMIDE 6.6	167731-4
RED		167731-3
BLACK		167731-2
WHITE		167731-1

THIS DRAWING IS A CONTROLLED DOCUMENT.

DIMENSIONS:	TOLERANCES UNLESS OTHERWISE SPECIFIED:
mm	
	0 PLC ±
	1 PLC ±
	2 PLC ±
	3 PLC ±
	4 PLC ±
	ANGLES ±
MATERIAL -	FINISH -

OWN R.V. LOKVEN 20OCT83	TE Connectivity <b>4 POS ECONOSEAL SERIES EH CONNECTOR CAP ASSY</b>
CHK H.VD STEEN 20OCT83	
APVD L.VAN SOEST 31OCT83	
PRODUCT SPEC -	
APPLICATION SPEC -	RESTRICTED TO -
WEIGHT -	SIZE A3
CUSTOMER DRAWING	CAGE CODE 00779
	DRAWING NO C-167731
	SCALE 2:1
	SHEET 1 OF 1
	REV F1

1470-19 (3/11)

Pro/ENGINEER DRAWING