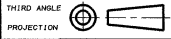


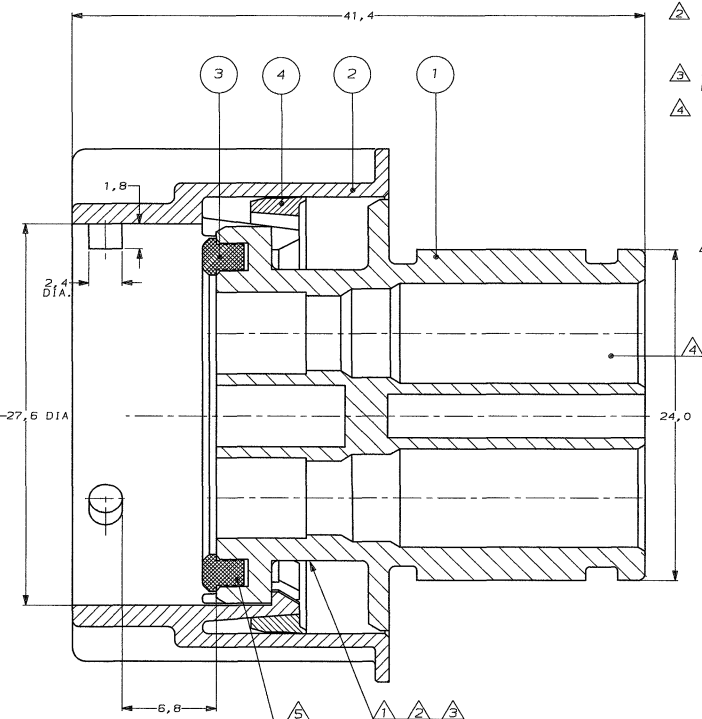
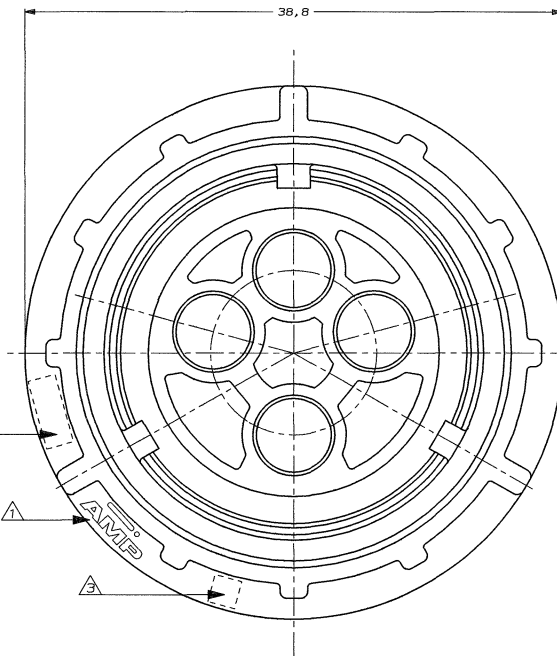
DO NOT SCALE
DIMENSIONS IN mm

METRIC



NOTES:

- ▲ AMP-TRADEMARK PER SPEC.
- ▲ AMP-IDENTIFICATION NUMBER ACC. DIN 1451 MITTLESCHR. HEIGHT 1,2
- ▲ AMP-MOLD IDENTIFICATION NUMBER
- ▲ CAVITY FOR:
 - 1 4mm. SOCKET CONTACT WIRE SIZE 1-4mm² SEE DRAWING NR.962954-1 NR.962956-1
 - 2 SCAT SEE DRAWING NR.963243-1 NR.963244-1
 - 3 CAVITY PLUG NR.100132-1
- ▲ SEAL BONDED IN INSERT.



-1 AS SHOWN

PBT	LOCKING RING	100350-1	4
SILICON RUBBER	SEALING RING	100135-1	3
PBT	COUPLING RING	100129-1	2
PBT	4 POS HOUSING	100128-1	1

DESIGN APPROVED THIS PRINT IS
PRELIMINARY
TO FIRST PIECE APPROVAL
CONTACT PRODUCT ENGINEERING
BEFORE USING THIS PRINT

MATERIAL	DESCRIPTION	PARTNUMBER	ITEM
CUSTOMER DRAWING FOR REFERENCE ONLY. WILL NOT BE UPDATED.			
© COPYRIGHT IS BY AMP HOLLAND B.V. ALL INTERNATIONAL RIGHTS RESERVED. AMP PRODUCTS MAY BE COVERED BY U.S. AND FOREIGN AND/OR PATENTS PENDING. THIS DRAWING IS UNPUBLISHED. RELEASED FOR PUBLICATION -10-			
C	H-9765	LvdH RotB 13 MAY '92	 AMP HOLLAND B.V. 's-Hertogenbosch, The Netherlands.
B	H-8754	JvL RotB 30-01-92	
A	H-8754	JvL RotB 16-01-92	
LTR.	REVISION RECORD	DR. CHK. DATE	NAME
DR. J.V.LIDPT. CHK. B.A.CHER. APP. L.V.SEST. DWS.No. C-100201			REV. LTR. SHEET
DATE: 16 JAN. 1992 DATE: -			1 OF 1 A2

11	10	9	8	7	6	5	4	3	2	1
----	----	---	---	---	---	---	---	---	---	---