

4

3

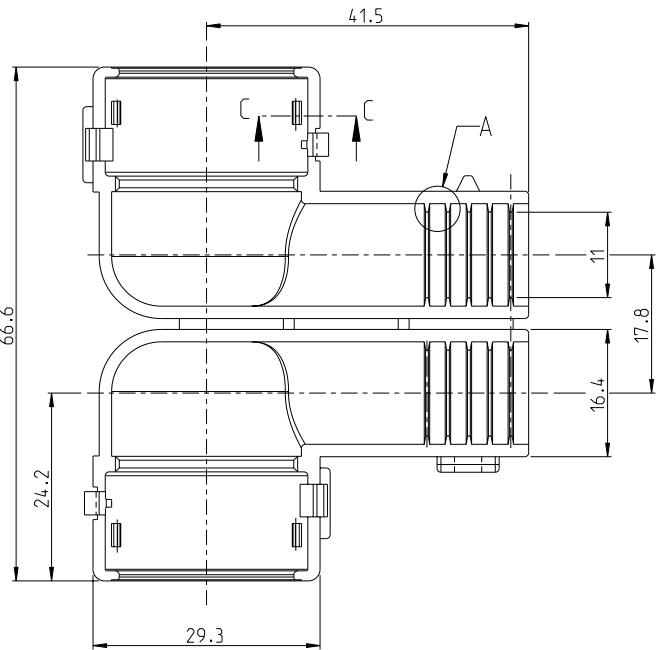
2

1

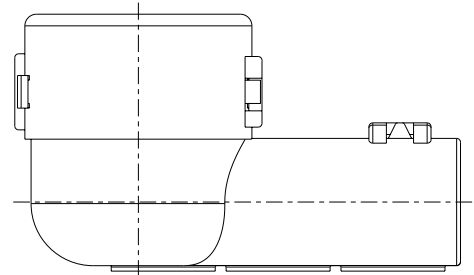
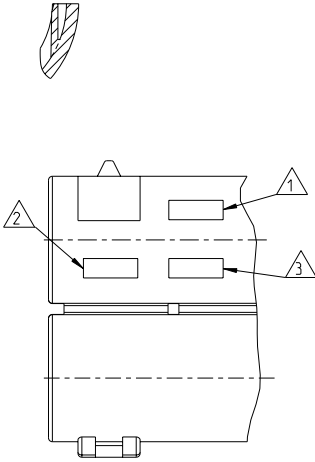
THIS DRAWING IS UNPUBLISHED. RELEASED FOR PUBLICATION 2009  
COPYRIGHT 2009 ALL RIGHTS RESERVED.

LOC FM DIST 1

REVISIONS						
P	LTR	DESCRIPTION	DATE	DWN	APVD	
A	H-9765		13MAY1992	LvdH	RotB	
B	EH-1312-95		02NOV1995	D.K.	JJ	
B1	ECR-11-020349		03NOV2011	GN	GB	



C - C



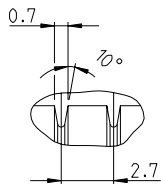
ADAPTER CLOSED

-1 AS SHOWN

NOTES:

- 1 TRADEMARK PER SPEC. 115-19030-3
- 2 TE-IDENTIFICATION NUMBER ACC. DIN 1451 MITTLESCHRIFT, HEIGHT 1.2
- 3 TE-MOLD IDENTIFICATION NUMBER.
- 4 MATERIAL: PBT  
COLOR: BLACK

A 5:1



THIS DRAWING IS A CONTROLLED DOCUMENT.

DIMENSIONS:	TOLERANCES UNLESS OTHERWISE SPECIFIED:
mm	
0 PLC	±
1 PLC	±0.1
2 PLC	±0.05
3 PLC	±0.005
4 PLC	±
ANGLES	± 40°, 30'
MATERIAL PBT	FINISH -

OWN	J.V.I. IEMPT.	30 JAN 1992
CHK	R.O.T. BERG	10 FEB 1992
APVD	L.V. SOEST.	10 FEB 1992
PRODUCT SPEC		
APPLICATION SPEC		
WEIGHT		
CUSTOMER DRAWING		

<b>STE</b> TE Connectivity	
NAME ADAPTER 90 DEG	
SIZE	A3
CAGE CODE	00779
DRAWING NO	C-100130
RESTRICTED TO	-
SCALE	2:1
SHEET	1 OF 1
REV	B1