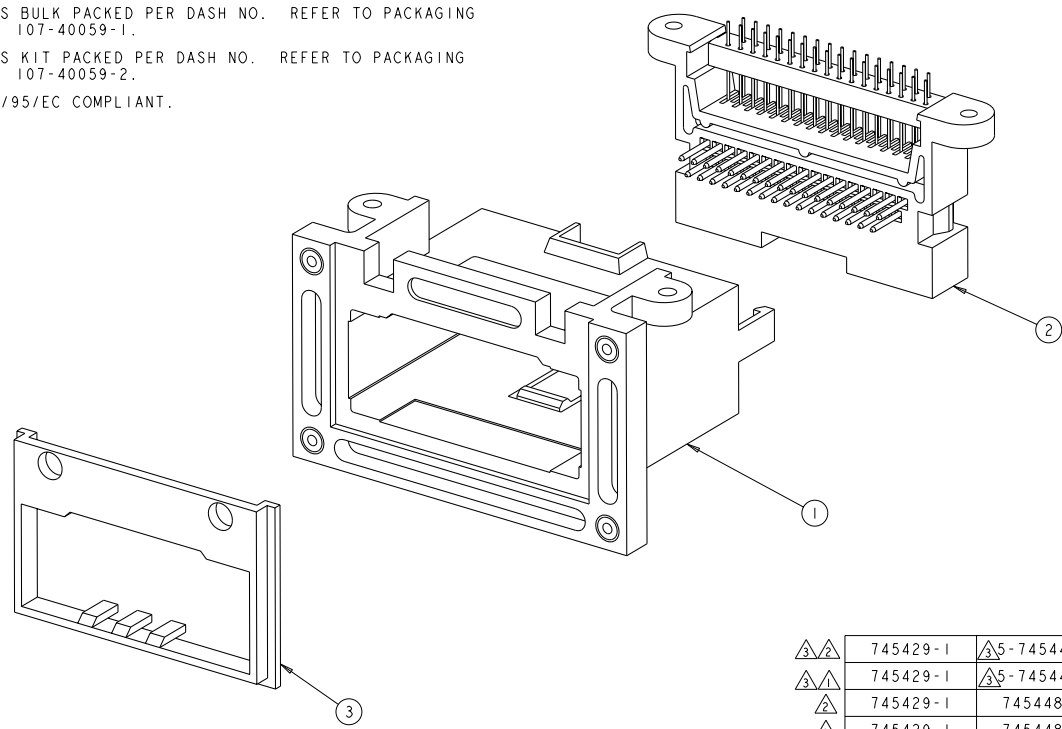


4 3 2 1

THIS DRAWING IS UNPUBLISHED. RELEASED FOR PUBLICATION BY TYCO ELECTRONICS CORPORATION. ALL RIGHTS RESERVED. COPYRIGHT 20

REV	DATE	BY	APPROV	DESCRIPTION
E	04APR2001	RB	JO	REDRAWN PER 063C-0050-01
E1	04X12006	MS	JO	ECO-06-12417

- ⚠ COMPONENTS BULK PACKED PER DASH NO. REFER TO PACKAGING SPEC. NO. 107-40059-1.
- ⚠ COMPONENTS KIT PACKED PER DASH NO. REFER TO PACKAGING SPEC. NO. 107-40059-2.
- ⚠ ROHS 2002/95/EC COMPLIANT.



⚠	745429-1	⚠	5-745448-1	745443-1	5-745539-5
⚠	745429-1	⚠	5-745448-1	745443-1	5-745539-1
⚠	745429-1		745448-1	745443-1	745539-5
⚠	745429-1		745448-1	745443-1	745539-1
ⓐ	COVER, BACK PANEL MOUNT QTY = 1	ⓑ	PLUG ASSY QTY = 1	Ⓐ	ASSY. HOLDER BODY QTY = 1
					PART NUMBER

DIMENSIONS: INCHES 0 PLC .01 1 PLC .01 2 PLC .01 3 PLC .005 4 PLC .005 ANGLES FINISH		AUTHORITY: R. BROWN DATE: 04APR2001 CHECKED: J. OLSON DATE: 04APR2001 APPROVED: J. OLSON DATE: 04APR2001	Tyco Electronics Harrisburg, PA 17105-3608 AMP COMPLETE HOLDER ASSY FOR AMPLIMITE CASSETTE CONNECTOR	TITLE: A2 CASE CODE: 00779 DRAWING NO: 745539	RESTRICTED TO:
MATERIAL: -		WEIGHT: -	CUSTOMER DRAWING	SCALE: 2:1	SHEET 1 OF 1 REV: E1