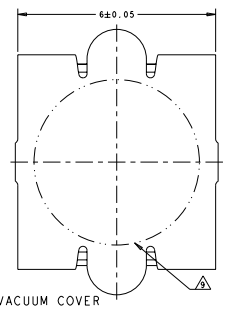
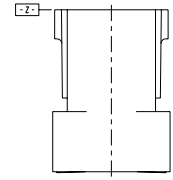
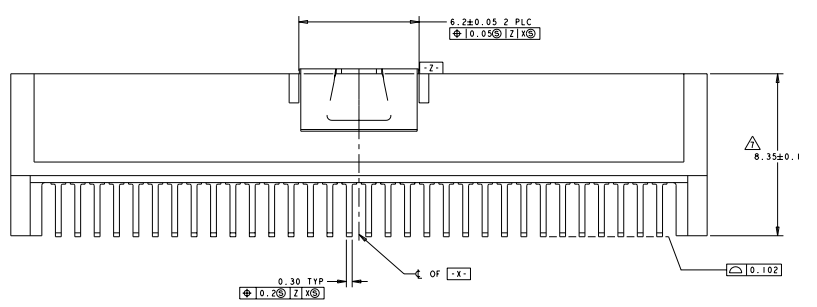
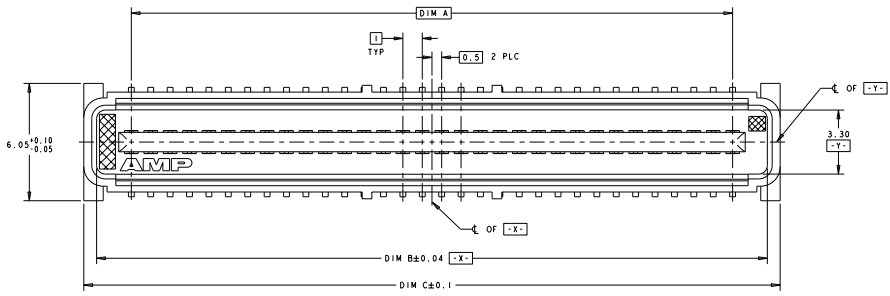
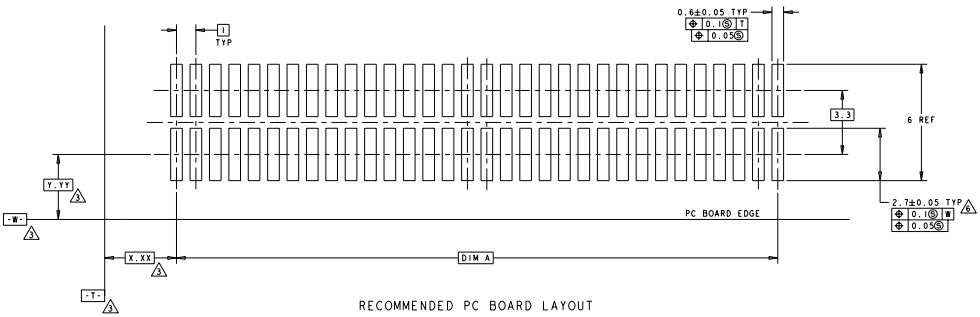


DATE SHOWN IN DIMENSIONS REVISIONS FOR FABRICATION
 (S) CONTINUED IN BY AMP INCORPORATED. ALL RIGHTS RESERVED.

REV	DATE	DESCRIPTION	BY	CHK	APP
G		REVISED PER EC 0512-0417-03	STROTHMAN	DC	RW
H		REV PER EC 0512-0552-04	STROTHMAN	DC	RW
J		REVISED PER ECO-05-008613	STROTHMAN	DN	DB



- △ HOUSING MATERIAL: LIQUID CRYSTAL POLYMER COLOR: BLACK. CONTACT MATERIAL: PHOSPHOR BRONZE.
- △ CONTACT FINISH: NICKEL UNDERPLATE ALL OVER. MATING SURFACES PLATED TO MEET PL-1 PERFORMANCE REQUIREMENTS OF INDUSTRY SPECIFICATION EIA-700AAAB, SOLDER TAILS PLATED TIN-LEAD.
- △ DATUM LOCATIONS AND BASIC DIMENSIONS TO BE ESTABLISHED BY THE CUSTOMER. CONSULT AMP ENGINEERING WHEN PLACING MULTIPLE CONNECTORS ON A PC BOARD.
- 4. PACKAGED IN TAPE ON REEL PER EIA-481.
- 5. VACUUM COVER DESIGNED FOR 4mm DIA. NOZZLE. VACUUM COVER TO BE REMOVED AFTER SOLDERING. VACUUM COVER REMOVED FROM SOME VIEWS FOR DIMENSIONAL CLARITY.
- △ SHORTER SOLDER LANDS MAY BE USED PER EIA 700AAAB, HOWEVER 2.7 LENGTH ASSURES OPTIMUM SOLDER FILLET REGARDLESS OF MANUFACTURER OF CONNECTOR.
- △ REFERRED TO AS DIM N IN EIA 700AAAB SPECIFICATION.
- △ CORRUGATED REEL, HOLDS 400 CONNECTORS PER REEL 330.2(13.003) DIA REEL; 88.9(3.501) REEL CORE PLASTIC REEL, HOLDS 250 CONNECTORS PER REEL 330.2(13.003) DIA REEL; 177.8(7.003) REEL CORE.
- △ 5.5 MIN DIAMETER TARGET AREA FOR VACUUM PICK-UP.
- △ CONTACT FINISH: 0.00381 MINIMUM MATTE TIN-LEAD (93-7) ON SOLDER AREA; 0.00127 MINIMUM GOLD ON MATING AREA, BOTH OVER 0.00127 MINIMUM NICKEL ON ENTIRE CONTACT.
- △ OBSOLETE PART NUMBER.



FINISH	REEL	QTY	DIM C	DIM B	DIM A	MATING CONNECTOR	STACK HEIGHTS	POS	AMP PART NUMBER
△	400	45.9	44.58	41	120531-2	15	84	1-120534-2	
△	400	45.9	44.58	41	120530-2	13	84	1-120534-2	
△	400	45.9	44.58	41	120529-2	12	84	1-120534-2	
△	400	45.9	44.58	41	120528-2	10	84	1-120534-2	
△	400	35.9	34.58	31	120531-1	15	64	1-120534-1	
△	400	35.9	34.58	31	120530-1	13	64	1-120534-1	
△	400	35.9	34.58	31	120529-1	12	64	1-120534-1	
△	400	35.9	34.58	31	120528-1	10	64	1-120534-1	
△	250	35.9	34.58	31	120531-1	15	64	120534-3	
△	250	35.9	34.58	31	120530-1	13	64	120534-3	
△	250	35.9	34.58	31	120529-1	12	64	120534-3	
△	250	35.9	34.58	31	120528-1	10	64	120534-3	
△	400	45.9	44.58	41	120531-2	15	84	120534-2	
△	400	45.9	44.58	41	120530-2	13	84	120534-2	
△	400	45.9	44.58	41	120529-2	12	84	120534-2	
△	400	45.9	44.58	41	120528-2	10	84	120534-2	
△	400	35.9	34.58	31	120531-1	15	64	120534-1	
△	400	35.9	34.58	31	120530-1	13	64	120534-1	
△	400	35.9	34.58	31	120529-1	12	64	120534-1	
△	400	35.9	34.58	31	120528-1	10	64	120534-1	

SEE TABLE CUSTOMER DRAWING

AMP INCORPORATED
 Harrisburg, PA 17105-3600

PLUG ASSY, W/COVER
 1.0mm PITCH (SEE S88) CONNECTOR

AMP 00779 120534