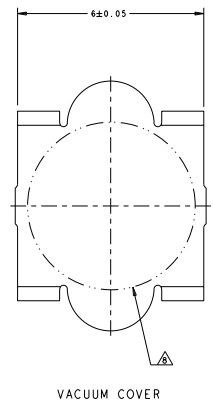
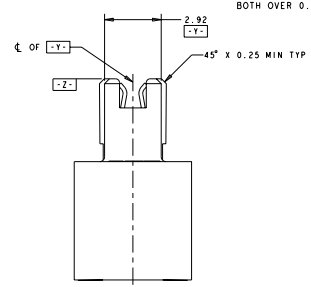
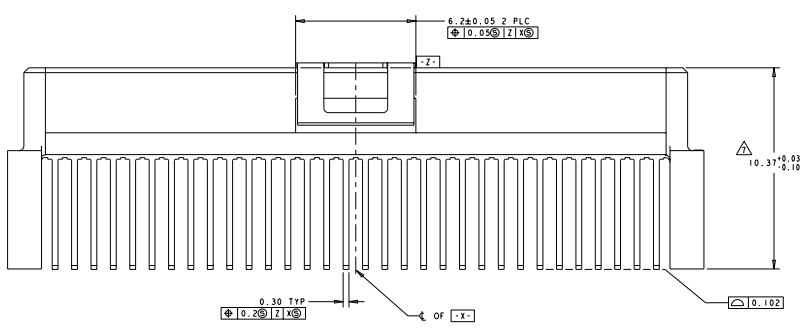
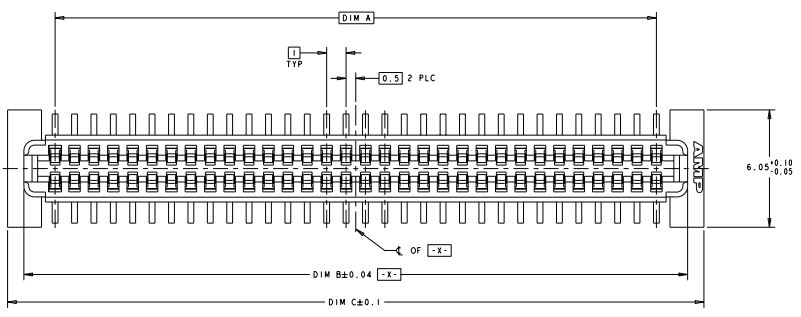
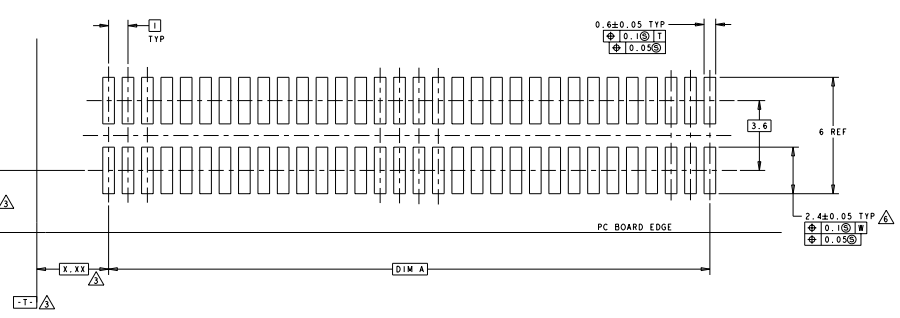


REV	DATE	DESCRIPTION	BY	CHK	APP
F		REVISED PER EC 0512-0230-03	WFB/MSH	PBS	RHW
G		REVISED PER EC 0512-0072-04	WFB/MSH	PBS	RHW
H		REVISED PER ECO-00-008613	WFB/MSH	DN	DB



VACUUM COVER



RECOMMENDED PC BOARD LAYOUT

- △ HOUSING MATERIAL: HIGH TEMPERATURE THERMOPLASTIC, COLOR: BLACK. CONTACT MATERIAL: PHOSPHOR BRONZE.
- △ CONTACT FINISH: NICKEL UNDERPLATE ALL OVER, MATING SURFACES PLATED TO MEET PLI PERFORMANCE REQUIREMENTS OF INDUSTRY SPECIFICATION EIA-700AAAAB, SOLDER TAILS PLATED TIN-LEAD.
- △ DATUM LOCATIONS AND BASIC DIMENSIONS TO BE ESTABLISHED BY THE CUSTOMER. CONSULT AMP ENGINEERING WHEN PLACING MULTIPLE CONNECTORS ON A PC BOARD.
- 4. PACKAGED IN TAPE ON REEL PER EIA-481.
- 5. VACUUM COVER DESIGNED FOR 4mm DIA. NOZZLE, COVER TO BE REMOVED AFTER SOLDERING. VACUUM COVER OMITTED FROM SOME VIEWS FOR DIMENSIONAL CLARITY.
- △ SHORTER SOLDER LANDS MAY BE USED PER EIA 700AAAAB, HOWEVER 2.4 LENGTH ASSURES OPTIMUM SOLDER FILLET REGARDLESS OF MANUFACTURER OF CONNECTOR.
- △ REFERRED TO AS DIM H = 10.30±0.1 IN EIA 700AAAAB SPECIFICATION.
- △ 5.5 MIN DIAMETER TARGET AREA FOR VACUUM PICK-UP.
- △ CONTACT FINISH: 0.00381 MINIMUM MATTE TIN-LEAD (93-7) ON SOLDER AREA, 0.00127 MINIMUM GOLD ON MATING AREA, BOTH OVER 0.00127 MINIMUM NICKEL ON ENTIRE CONTACT.

△	45.9	44.22	41	120534-2	15	84	1-120531-2
△	45.9	44.22	41	120533-2	14	84	1-120531-2
△	35.9	34.22	31	120534-1	15	64	1-120531-1
△	35.9	34.22	31	120533-1	14	64	1-120531-1
△	45.9	44.22	41	120534-2	15	84	120531-2
△	45.9	44.22	41	120533-2	14	84	120531-2
△	35.9	34.22	31	120534-1	15	64	120531-1
△	35.9	34.22	31	120533-1	14	64	120531-1
FINISH	DIM C	DIM B	DIM A	MATING CONNECTOR	STACK HGTS	POS	PART NO

REV	DATE	DESCRIPTION	BY	CHK	APP
1	2/17/97	INITIAL RELEASE	WFB/MSH	PBS	RHW

DATE	2/17/97	DATE	2/17/97
BY	WFB/MSH	BY	WFB/MSH
CHK	PBS	CHK	PBS
APP	RHW	APP	RHW
DATE	2/17/97	DATE	2/17/97
BY	WFB/MSH	BY	WFB/MSH
CHK	PBS	CHK	PBS
APP	RHW	APP	RHW

DATE	2/17/97	DATE	2/17/97
BY	WFB/MSH	BY	WFB/MSH
CHK	PBS	CHK	PBS
APP	RHW	APP	RHW

DATE	2/17/97	DATE	2/17/97
BY	WFB/MSH	BY	WFB/MSH
CHK	PBS	CHK	PBS
APP	RHW	APP	RHW