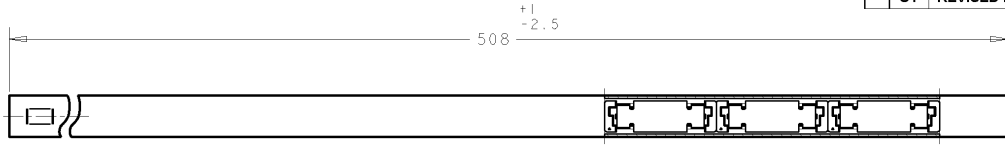
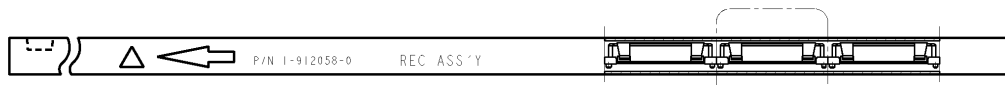


LOC	DIST	REVISIONS			
F	LTR	DESCRIPTION	DATE	DWN	APVD
01		REVISED PER ECO-10-000445	11JAN10	KK	AEG

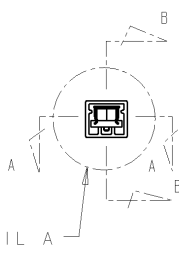


SECT A-A

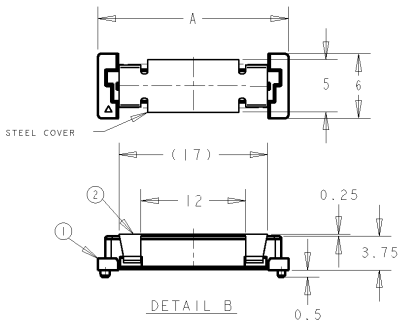


DETAIL B

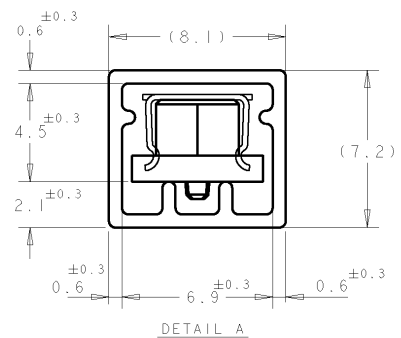
SECT B-B



DETAIL A



DETAIL B



DETAIL A

1 OBSOLETE

1 OBSOLETE

QTY	HEIGHT TYPE	A	CONN P/N	POS.	PART NO.
5		85.8	1-	-0	200
6		77.8		-9	180
6		69.8		-8	160
7		61.8		-6	140
8		53.8		-5	120
10		45.8		-4	100
12		37.8		-3	80
16		29.8		-2	60
22	5H	21.8	5177983-1		40

△ OBSOLETE PARTS: OBSOLETE CIS STREAMLINING PER D.RENAUD/D.SINISI

<small>THIS DRAWING IS A CONTROLLED DOCUMENT FOR AMP INCORPORATED. IT IS SUBJECT TO CHANGE AND THE ORIGINAL DRAWING OR ORGANIZATION SHOULD BE CONTACTED FOR THE LATEST REVISION.</small>		DWN FLORENCE TAN CHK ERIC TNG APVD ERIC TNG	14SLP04 tyco Electronics Tyco Electronics Singapore Pte. Ltd.
DIMENSIONS: mm 	TOLERANCES UNLESS OTHERWISE SPECIFIED: 0 PLC ± 1 PLC ±0.20 2 PLC ±0.25 3 PLC ±0.30 4 PLC ± ANGLES ±°	NAME REC ASSY WITH STEEL COVER (TUBE PACK) PRODUCT SPEC FH 0.8mm PITCH B-T-B CONNECTOR APPLICATION SPEC 5H TYPE	SIZE A3 CAGE CODE 00779 DRAWING NO C-5179229
MATERIAL	FINISH	WEIGHT	SCALE - SHEET 1 OF 1 REV 01