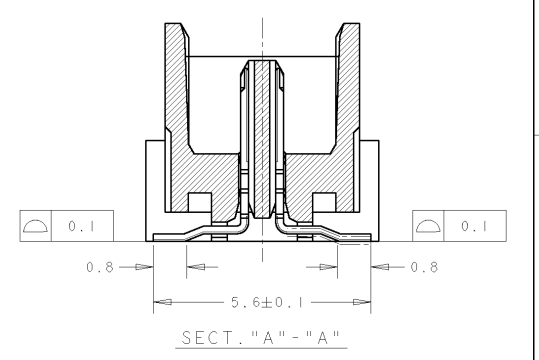
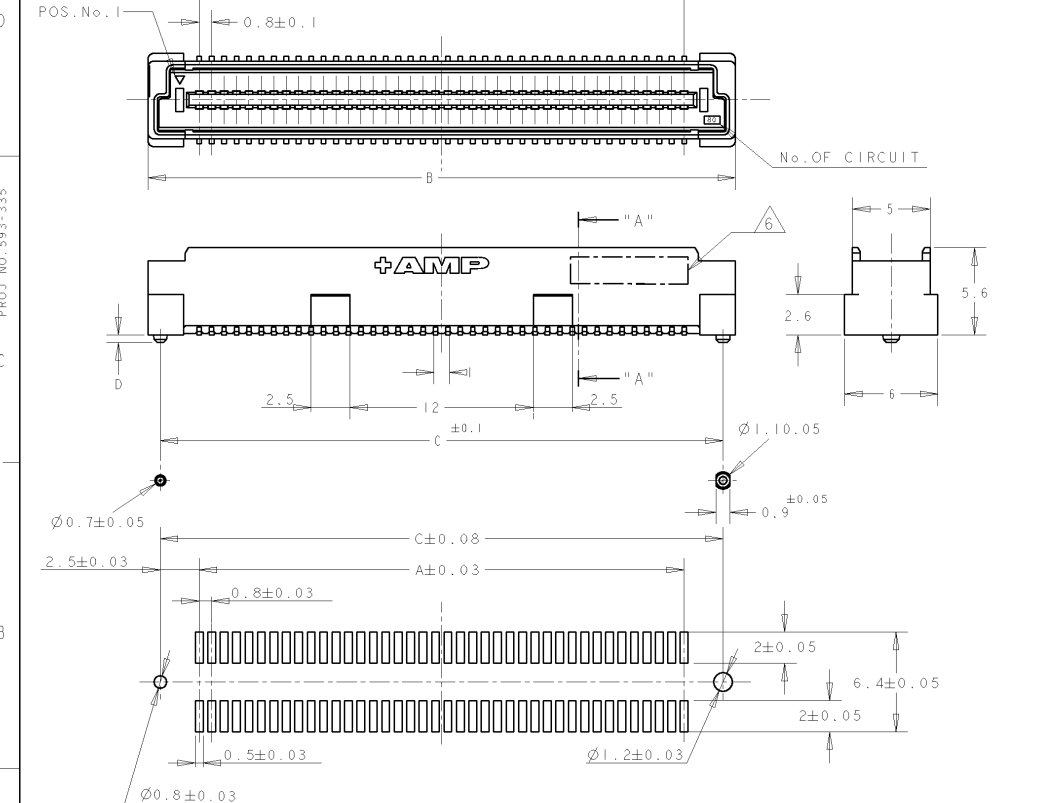


LOC	DIST	REVISIONS			
P	LTR	DESCRIPTION	DATE	DWN	APVD
B1		REVISED PER ECO-11-005139	19MAR11	RK	HMR



- NOTES:
- △ MATERIAL: HOUSING: L.C.P (HIGH TEMP THERMO PLASTIC) UL 94V-0, NATURAL. CONTACT: BRASS.
 - △ FINISH: CONTACT AREA: 0.0002 MIN GOLD ON 0.0013 MIN ALL OVER NICKEL. SOLDERING AREA: 0.002 MIN MATTE-TIN.
 - 3. POSITION SERIES: SEE TABLE.
 - 4. CONN STACK HEIGHT COMBINE OF PLUG "Y" H VS REC "X" H. STACK HEIGHT = Y + X - 5
 - △ OBSOLETE PARTS: OBSOLETE CIS STREAMING PER D.RENAUD/D.SINISI.
 - △ DATE CODE MARKING

P/N SEE SHEET 2 OF 2.

DIMENSIONS: mm		TOLERANCES UNLESS OTHERWISE SPECIFIED:		DWN 30AUG04 FLORENCE TAN		TE Connectivity	
		0 PLC ± 1 PLC ±0.30 2 PLC ±0.25 3 PLC ±0.20 4 PLC ± ANGLES ±°		CHK ERIC TNG APVD SF LEONG PRODUCT SPEC 108-5390 APPLICATION SPEC 114-5254 WEIGHT -		NAME PLUG ASSEMBLY 6H TYPE (0.5 and 0.8 BOSS LENGTH) FOR FH 0.8mm PITCH B-T-B CONNECTOR SIZE A3 CAGE CODE 00779 DRAWING NO C-5179029	
MATERIAL		FINISH		CUSTOMER DRAWING		SCALE 4:1 SHEET 1 of 2 REV B1	

AMP 1470-19 REV 09M194

