

4

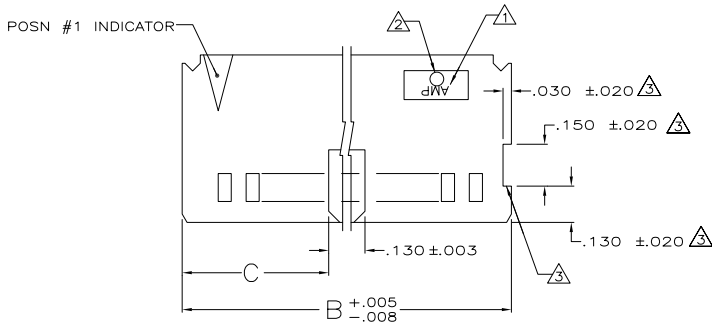
3

2

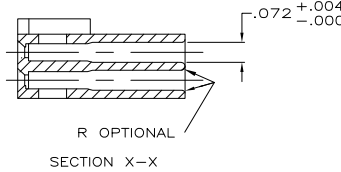
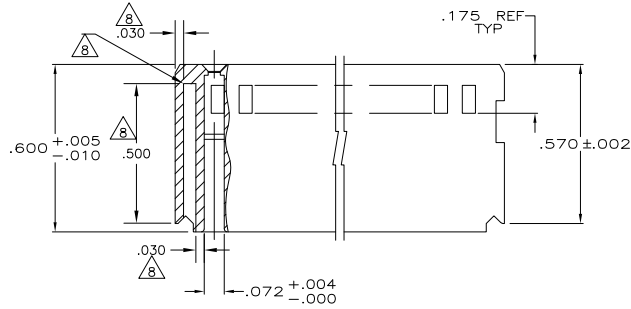
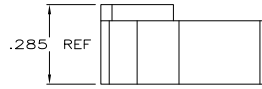
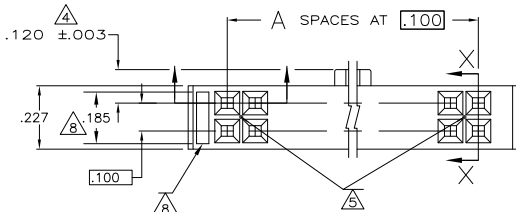
1

THIS DRAWING IS UNPUBLISHED. RELEASED FOR PUBLICATION. ALL RIGHTS RESERVED.

LOC	DIST	REVISIONS			
P	LTR	DESCRIPTION	DATE	BY	APPD
AD	39	S2	REVISED PER ECO-11-010839	25MAY11	RK HMR



- △ AMP TRADEMARK (MOLDED IN) .062±.015 HIGH CHARACTERS LOCATED APPROX AS SHOWN
- △ MOLD CAVITY IDENT (MOLDED IN) .046±.015 HIGH CHARACTERS LOCATED APPROX AS SHOWN
- △ RECESSED AREA AROUND MOLD GATE IS OPTIONAL. THIS FEATURE IS ALLOWABLE ON EITHER SIDE OF HOUSING OR MAY NOT BE PRESENT AT ALL.
- △ COORDINATE DIMENSION APPLIES FROM CENTER OF FIRST ACTUAL FEATURE
- △ RECESSED AREA AROUND GATE PERMISSIBLE. THIS FEATURE IS ALONG CENTERLINE OF MATING FACE.
- 6. WHEN MATING WITH AMP-LATCH UNIVERSAL HEADERS, P/N 1825851-1 MUST BE USED. PURCHASE SEPARATELY WITH HEADER- 2 REQUIRED.
- △ OBSOLETE PARTS: OBSOLETE CIS STREAMLINING PER D.RENAUD/D.SINISI
- △ VOID CORING IS OPTIONAL, AT MOLDER'S DISCRETION.



△ OBSOLETE	C	B	A	NO. OF POSN	PART NO.
.575	1.280	10	22	1-102387-6	
.225	.580	3	8	1-102387-4	
1.125	2.380	21	44	1-102387-3	
1.625	3.380	31	64	1-102387-2	
1.525	3.180	29	60	1-102387-1	
1.275	2.680	24	50	1-102387-0	
1.025	2.180	19	40	102387-9	
.875	1.880	16	34	102387-8	
.775	1.680	14	30	102387-7	
.675	1.480	12	26	102387-6	
.625	1.380	11	24	102387-5	
.525	1.180	9	20	102387-4	
.425	.980	7	16	102387-3	
.375	.880	6	14	102387-2	
.275	.680	4	10	102387-1	

THIS DRAWING IS A CONTROLLED DOCUMENT. DIM: S MOYER 5-17-89
 OK: K HELM 6-13-89
 A: HELM
 NAME: TE Connectivity
 PRODUCT SPEC: HOUSING, CRIMP SNAP-IN, SHORT ENTRY, MOD IV
 APPLICATION SPEC: A2 00779 C=102387
 WEIGHT: CUSTOMER DRAWING
 SCALE: 4:1 SHEET: 1 of 1 REV: S2