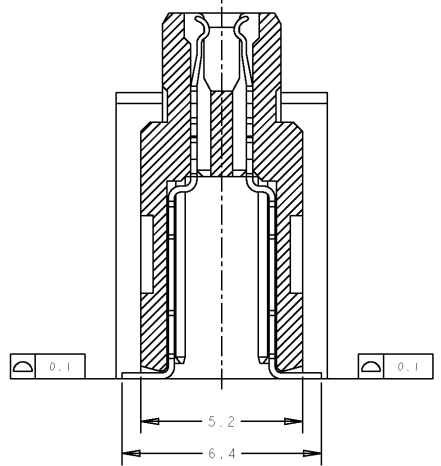
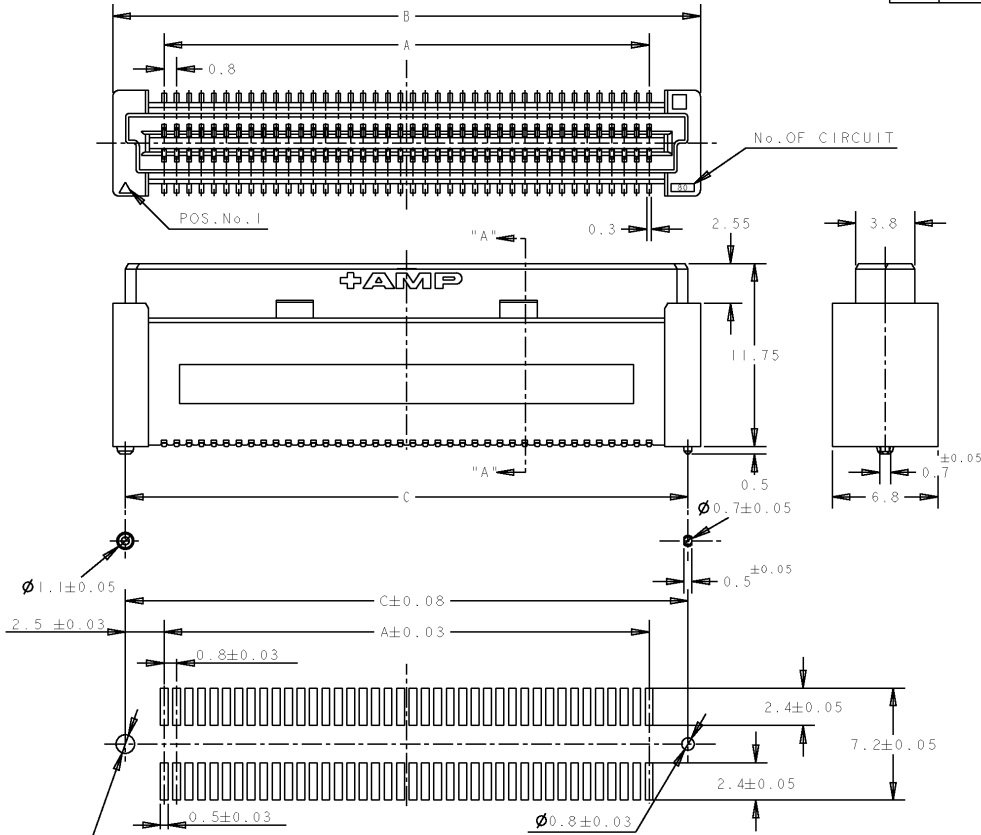


PROJ NO. 593-312
C
B
A

THIS DRAWING IS UNPUBLISHED. RELEASED FOR PUBLICATION .19
COPYRIGHT 19 BY - ALL RIGHTS RESERVED.

LOC	DIST	REVISIONS			
P	LTN	DESCRIPTION	DATE	DWN	APVD
P		REVISED PER ECO-11-005139	19MAR11	RK	HMR



- NOTES:
- △ MATERIALS:
HOUSING: L.C.P (HIGH TEMP THERMO-PLASTIC)
UL 94V-0, NATURAL.
CONTACT: COPPER ALLOY.
 - △ FINISH:
ENGAGEMENT AREA: 0.0020 MIN GOLD
SOLDERING AREA: 0.0020 MIN MATTE TIN
UNDERCOAT: 0.0013 MIN NICKEL ALL OVER
 - 3. POSITION SERIES: SEE TABLE. (SHEET 2)
 - 4. CONN STACK HEIGHT COMBINE OF PLUG "Y" H VS REC "X" H.
STACK HEIGHT = Y + X - 5
 - △ OBSOLETE PARTS: OBSOLETE CIS STREAMLINING PER D.RENAUD/D.SINISI

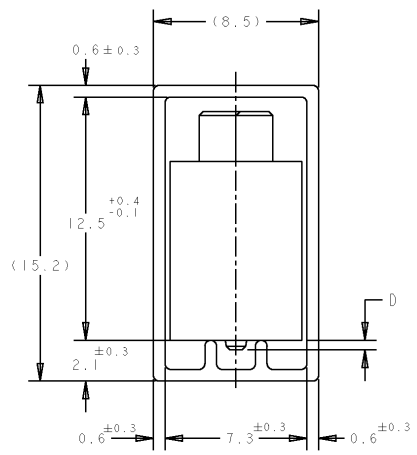
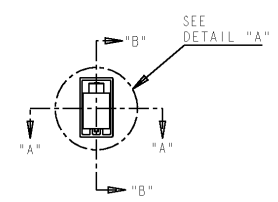
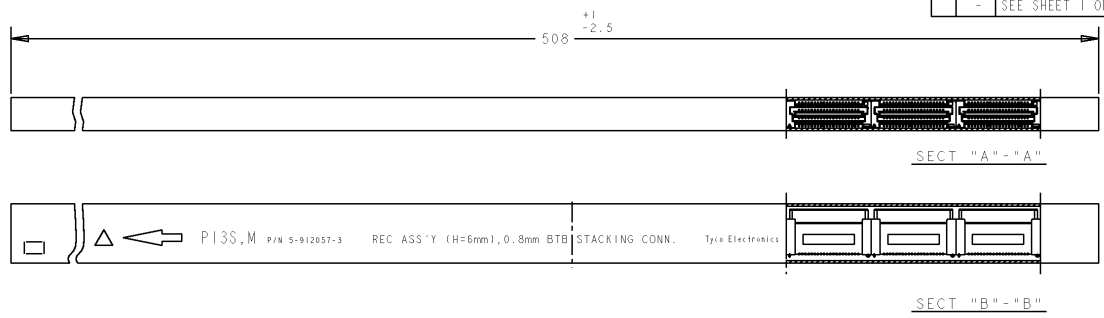


DWN FLORENCE 16AUG04		TE Connectivity RECEPTACLE ASSEMBLY 13H TYPE FOR FH 0.8mm PITCH B-T-B CONNECTOR	
CHK ERIC TNG			
APVD SF LEONG		NAME	
PRODUCT SPEC 108-5390		SIZE	A3
APPLICATION SPEC 114-5254		CAGE CODE	00779
WEIGHT -		DRAWING NO	C-5179010
MATERIAL △		SCALE	4:1
FINISH △		SHEET	1 of 2
CUSTOMER DRAWING		REV	P

AMP 1470-19 REV 09MAY94

THIS DRAWING IS UNPUBLISHED. RELEASED FOR PUBLICATION .19
 BY - ALL RIGHTS RESERVED.

LOC	DIST	REVISIONS			
P	LTN	DESCRIPTION	DATE	DWN	APVD
DY	-	SEE SHEET 1 OF 2	-	-	-



DETAIL "A"
(SCALE 5-1)

OBSELETE

84.20	85.80	79.20	200	6-	-0	
76.20	77.80	71.20	180	5-	-9	
68.20	69.80	63.20	160	5-	-8	
60.20	61.80	55.20	140	5-	-6	
52.20	53.80	47.20	120	5-	-5	
44.20	45.80	39.20	100	5-	-4	
36.20	37.80	31.20	80	5-	-3	
28.20	29.80	23.20	60	5-	-2	
0.5	20.20	21.80	15.20	40	5-	-1
84.20	85.80	79.20	200	1-	-0	
76.20	77.80	71.20	180		-9	
68.20	69.80	63.20	160		-8	
60.20	61.80	55.20	140		-6	
52.20	53.80	47.20	120		-5	
44.20	45.80	39.20	100		-4	
36.20	37.80	31.20	80		-3	
28.20	29.80	23.20	60		-2	
0.8	20.20	21.80	15.20	40	5179010-1	
D	C	B	A	POS.	PART No.	

DIMENSIONS: mm		TOLERANCES UNLESS OTHERWISE SPECIFIED: 0 PLC ± 1 PLC ±0.30 2 PLC ±0.25 3 PLC ±0.20 4 PLC ± ANGLES ±5°		DWN FLORENCE TAN 16AUG04 CHK ERIC TNG APVD SF LEONG PRODUCT SPEC 108-5390 APPLICATION SPEC 114-5254 WEIGHT -		STE TE Connectivity RECEPTACLE ASSEMBLY 13H TYPE FOR FH 0.8mm PITCH B-T-B CONNECTOR	
MATERIAL		FINISH		SIZE A3	CAGE CODE 00779	DRAWING NO C-5179010	
CUSTOMER DRAWING				SCALE 4:	SHEET 2 OF 2	REV P	