
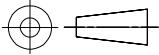


LOC	DIST	REVISIONS					
F	7	P	LTR REV	DESCRIPTION MODIFICATIONS	DATE	DWN DESS.	APVD APP.
			A1	REVISED PER ECO-11-005150	21MAR11	RK	HMR

RELEASED FOR PUBLICATION
LIBRE A LA DIFFUSION
ALL RIGHTS RESERVED.
TOUS DROITS RESERVES.

THIS DRAWING IS UNPUBLISHED.
DIFFUSION RESTREINTE AMP
© COPYRIGHT - By -

SEE DRAWING 188744	182734-2
SEE DRAWING 188746	182734-3
NOTE	P/N

DIMENSIONS: mm		DWN / DESSINE JJ DESPRETZ 22-NOV-04	MATERIAL MATIERE	FINISH FINITION		
TOLERANCES UNLESS OTHERWISE SPECIFIED: TOLERANCES NON SPECIFIEES (SUIV NB DE DECIMALES): 0 - PLC / DEC ± - 1 - PLC / DEC ± - 2 - PLC / DEC ± - 3 - PLC / DEC ± - 4 - PLC / DEC ± - ANGLES ± -		CHK / VERIFIE T CORRIOU	 TE Connectivity			
		APVD / APPROUVE Y PETRONIN				
		PRODUCT SPEC SPEC. PRODUIT	NAME TITRE			
		APPLICATION SPEC SPEC. APPLICATION	HE14 SYSTEM RECEPTACLE C.O.S.I CONTACT LOOSE PIECE VERSION			
		SIZE FORMAT	CAGE CODE	DRAWING NO No PLAN	RESTRICTED TO RESERVE A	
WEIGHT MASSE APPROX. -		A4	00779	G-182734	-	
CUSTOMER DRAWING/PLAN CLIENT			UNIQUEMENT POUR REFERENCE	SCALE ECHELLE 1:1	SHEET FEUILLE 1 OF DE 1	REV A1