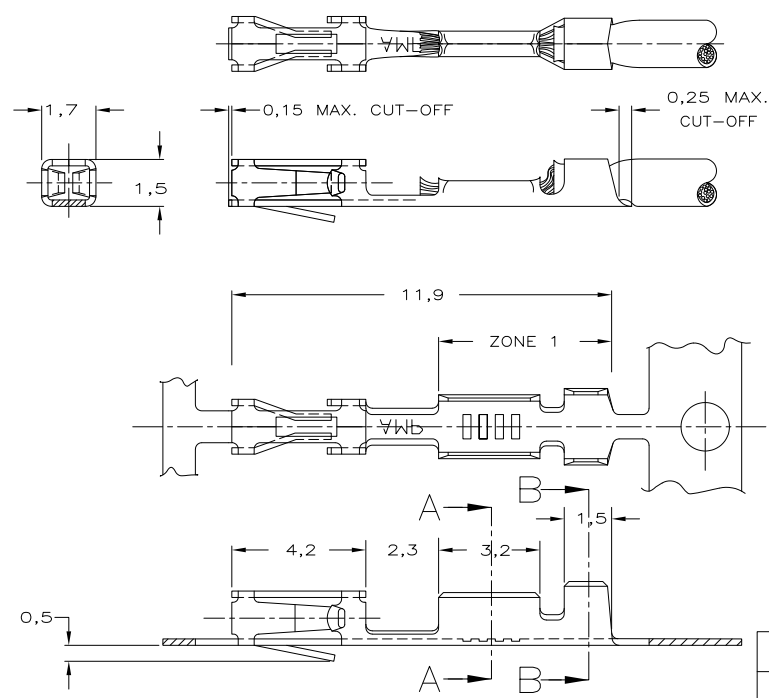
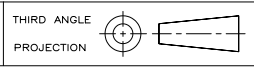


DO NOT SCALE  
DIMENSIONS IN mm

METRIC

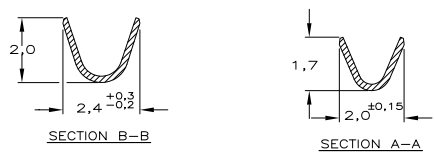


NOTES:

- △ FOR MINI-APPLICATOR-CRIMPING.
- △ UNDERCOATING: 1,25µm Ni, SELECTIVE: 0,8µm Au, ZONE 1: 0,5µm MIN. GOLDFLASH.
- △ UNDERCOATING: 1,25µm Ni, SELECTIVE: 0,8µm Au, REMAINDER: GOLDFLASH.
- △ UNDERCOATING: 1,25µm Ni, SELECTIVE: 0,4µm Au, NO GOLDFLASH.
- △ UNDERCOATING: 1,25µm Ni, SELECTIVE: 2,0µm Au, REMAINDER: GOLDFLASH.
- △ PRE-TINPLATED: 2,0µm.
- △ ZONE 1: BRIGHT TIN/LEAD PLATED.
- 8 MATERIAL: PHOSPHORBRONZE
- △ FOR STANDARD-APPLICATOR-CRIMPING.
- △ FOR REEL-FED-HAND TOOL-CRIMPING, 500 CONTACTS ON A SMALL REEL.
- △ 24-20 AWG (0,20-0,56 mm<sup>2</sup>) WITH .055 CRIMPER.
- △ 26 AWG (0,12-0,14 mm<sup>2</sup>) WITH .042 CRIMPER.
- △ OBSOLETE PARTS: OBSOLETE CIS STREAMLINING PER D.RENAUD/D.SINISI

WIRE RANGE	△
INSUL. RANGE	
1,4 MAX. DIA.	

GOLD	△	1-141708-2	5-167301-4	△	△
TIN	△	1-141708-1	5-167301-2	△	△
GOLD	△	≠	2-167301-6	△	△
			2-167301-5	△	△
GOLD	△	1-141708-2	2-167301-4	△	△
TIN	△	1-141708-1	2-167301-2	△	△
GOLD	△	≠	2-167301-1	△	△
			1-167301-6	△	△
GOLD	△	141708-1	1-167301-5	△	△
			167301-4	△	△
			167301-3	△	△



		FINISH		LOOSE PIECE		PARTNUMBER		
CUSTOMER DRAWING FOR REFERENCE ONLY WILL NOT BE UPDATED								
© COPYRIGHT - BY								
ALL INTERNATIONAL RIGHTS RESERVED.								
THIS DRAWING IS UNPUBLISHED								
RELEASED FOR PUBLICATION								
<b>STE</b>				TE Connectivity				
NAME AMPMODU MOD.4 RECEPTACLE, S.C.P. STRIP								
J2	REVISED PER ECO-11-005294	RK	HMR	13	APR	11		
LTR.	REVISION RECORD	DR.	CHK.	DATE				
DR.: R.VISSER	CHK.: J.V.LIEMPT	APP.: L.V.SOEST						DWG.No. C-167301
DATE: 11-11-87	DATE: -	DATE: -					REV.LTR. J2	
						SHEET 1 OF 1	A3	